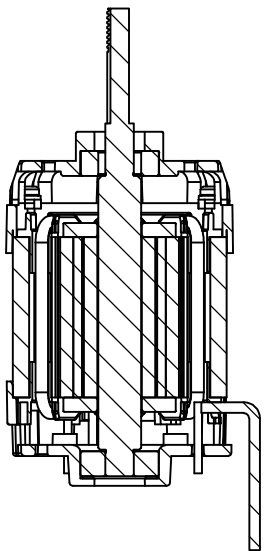
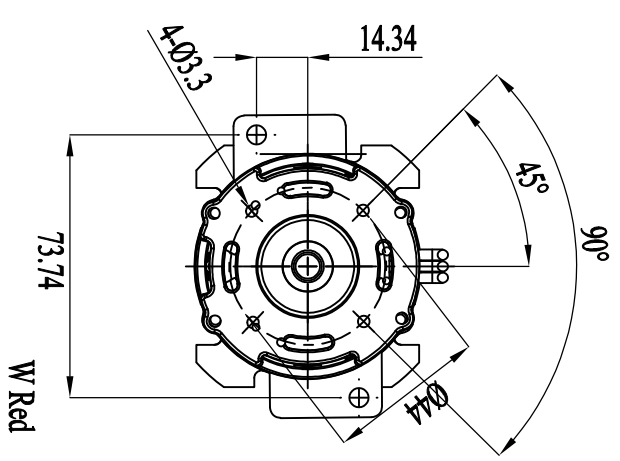
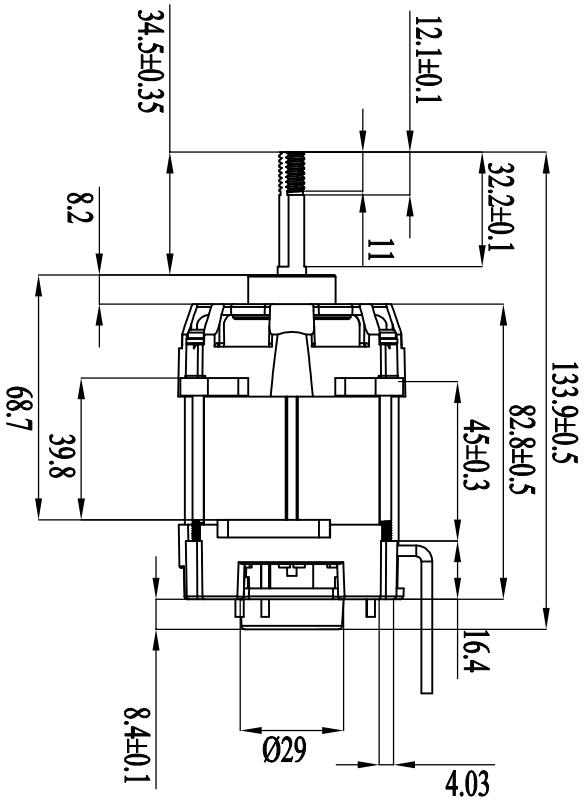
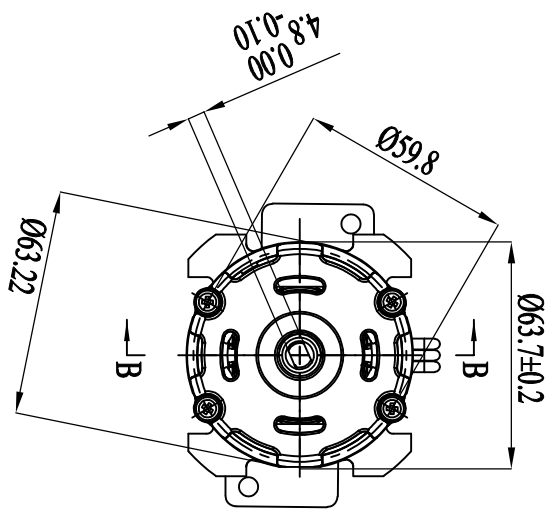
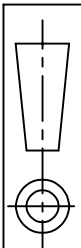


VERSION	A0		
DATE	240110		



V Black
U Yellow

- Technical requirements:
- 1, Rated voltage: 220V/50Hz;
 - 2, Motor steering: CCW (Extension from motor shaft);
 - 3, Motor withstand voltage test: 1500V/5mA/Sec;
 - 4, Motor no-load performance: Current: 2.5A
Max Power: 80W
 - 5, Max Speed: 23000±10%/RPM;
 - 6, Load performance: 830W/18000 RPM;
 - 7, Motor vibration: <12m/s;
 - 8, Virtual position: 0.2-0.01mm;
 - 9, Noise: <75dB/1m (environmental noise <45dB);
 - 10, Insulation grade: CLASS A;
 - 11, Screw torque >8Kg (screws need to use sericin);
 - 12, The motor has no bad phenomena such as flickering;

REMARKS: /OBLIGATORY INSPECTION ITEMS Δ ORDINARY INSPECTION ITEMS BY JIGS AND GAUGES.
 Δ SPECIAL INSPECTION ITEMS BY CUSTOM-BUILT JIGS AND GAUGES.
 Δ SPECIAL INSPECTION ITEMS BY SPECIAL TESTING INSTRUMENTS AND FACILITIES.
 [IMPORTANT SYMBOLS] CRITICAL CUSTOMERS REQUESTED DIMENSIONS AND SPEC.
 [IMPORANT] INFLUENCE ON THE FINISHED MACHINES PERFORMANCES AND SPEC.

BASIC DIMENSION	ORDINARY TOLERANCE			MARKS SERV.	QUD DATA	REV. DATA	REV. DWG	SIGNATURE	DATE(Y/M/D)	BOM CODE		SCALE
	H	J	K							PROCESS	NET WEIGHT(G)	
04	±0.05	±0.1	±0.3									1: 2
4-6	±0.07	±0.2	±0.5									
16-63	±0.1	±0.3	±0.7									
63-250	±0.2	±0.5	±1.2									
250-1000	±0.3	±0.8	±2.0									

PROCESS	CHECKED	APPROVED

TOTAL: 1 PAGES	1/1
----------------	-----

RETEK MOTION CO., LIMITED

OUTLINE

MC6045M23-001