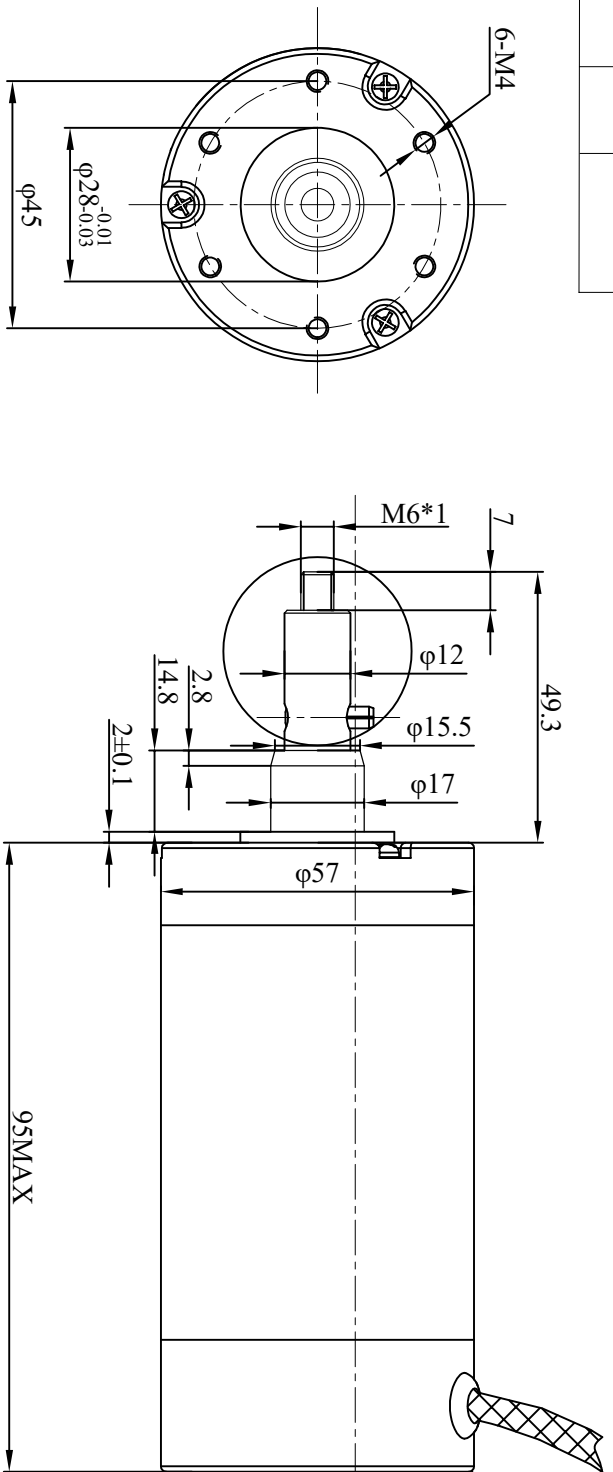
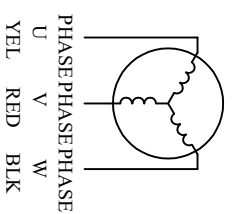
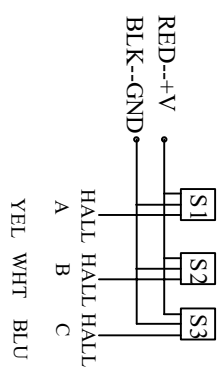
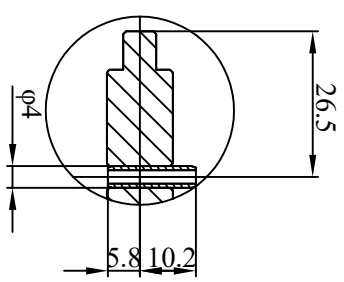


VERSION	A0			
DATE	20221202			



Electrical Spec:

Model	W5795A		
ITEM	UNIT	SPEC	
PHASE	PHS	3	
VOLTAGE	VDC	24	
Noload speed	RPM	7800REF	
Noload current	A	2REF	
Rated speed	RPM	6000	
Rated power	W	220	
Rated torque	N.m	0.35	
Rated current	A	12.2	
Insulating strength	VAC	1200	
IP CLASS		IP20	
Insulation class		F	
WEIGHT	Kg	1.1	



REMARKS: **△** OBLIGATORY INSPECTION ITEMS **▽** ORDINARY INSPECTION ITEMS BY JIGS AND GAUGES
△ SPECIAL INSPECTION ITEMS BY CUSTOM-BUILT JIGS AND GAUGES **▽** SPECIAL INSPECTION ITEMS BY SPECIAL TESTING INSTRUMENTS AND FACILITIES
[A] IMPORTANCE SYMBOLS **[C]** CRITICALS **[C]** CUSTOMERS REQUESTED DIMENSIONS AND SPEC. **[B]** IMPACT INFLUENCE ON THE FINISHED MACHINES PERFORMANCES AND SPEC.

ORDINARY TOLERANCE		j														
BASIC DIMENSION	H	J	K	MARKS REV.	OLD DATA	REV. DATA	REV. DWG	NAME	DATE	BOM CODE	PROCESS IDENTIFIER	N/W.(g)	SCALE			
0-4	±0.08	±0.1	±0.3	DRAWN			STANDARD				S		1:1			
4-16	±0.07	±0.2	±0.5	CHECKED												
16-63	±0.1	±0.3	±0.7	PROCESS			APPROVED									
63-250	±0.2	±0.5	±1.2													
250-1000	±0.3	±0.8	±2.0													
TOTAL: 1 PAGES											1/1					
<p style="text-align: center;">RETEK MOTION CO., LIMITED</p> <p style="text-align: center;">OUTLINE</p>													<p>RC0.222.1.W5795A</p>			