

Aluminum Profile Assembly Systems



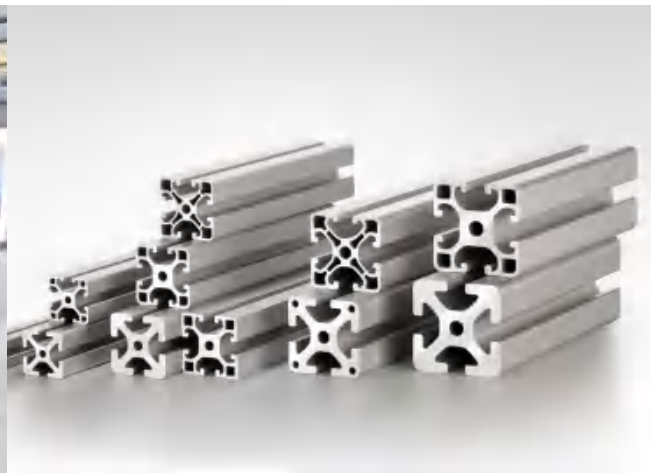
Aluminum profile Assembly Systems
型材工业组装系统

Technical Support
技术支持

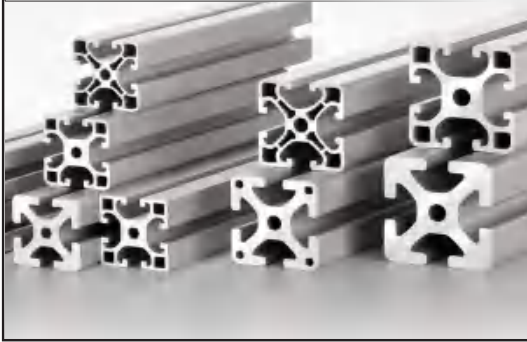
- Complete product information
- CAD Models
- Quick & Easy configurator
- Calculation of profile deflection
- Drawing conversion for profiles
- Layout designer for fast, easy planning
- 完整的产品信息
- CAD 图库
- 装配简单便捷
- 型材变形量的计算
- 图纸的转换
- 规划简单快速

On-time, rapid deliever
准时、快速交货

- Availability of all components
- Pre-assembled modules, complete frames
- Prompt shipping and exemplary delievery reliability
- 配件充足
- 模块化组装
- 及时交付产品



1 Aluminum Profile
铝型材



2 Fastening Elements
紧固件



3 Connecting Elements
连接件



4 Profile Accessories
型材附件



5 Floor Elements
地面组件



6 Panel Installation Elements
板材组件

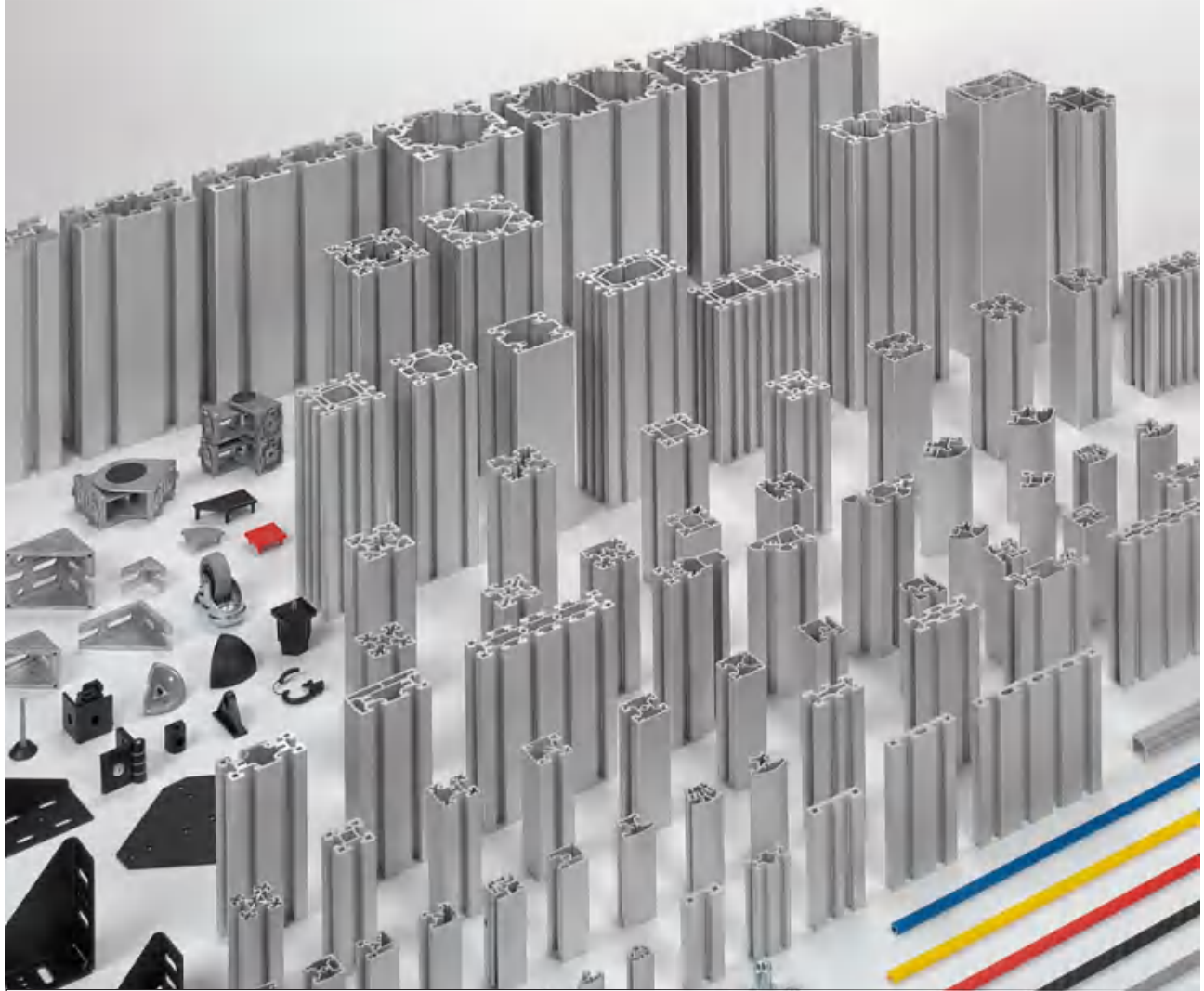


7 Door and Window Element
门窗组件



8 Additional accessories
其他配件





1

Aluminum Profile 铝型材

Strut Profile
基础框架型材

Technical Data
技术信息

Extruded aluminum profile as per GB5237-2008, surface satin anodized.
铝型材执行标准 GB5237-2008。表面处理为阳极氧化沙白处理，亚光表面。

Standard length of delivery profiles are: 6000mm for delivery inside China, 5800mm for international shipment.
标准供货长度：国内长度 6 米，国外长度 5.8 米。

Tensile Strength / 抗拉强度: min.185N/mm²
Yield Strength / 屈服强度: : min.145N/mm²
Elongation / 伸长率: 8% (T≤3.2mm) or 10% (T>3.2-25.0mm)E-Module / 弹性模量:
approx, 70,000N/mm
Brinell Hardness / 布氏硬度: HB 752.5 / 187.5
Coat Thickness / 氧化膜厚度: ≥11μ

Bending Strength
变形量计算

For deflection calculation, refer to formulas as below.

公式中涉及到的变量:





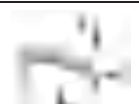

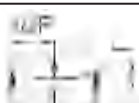

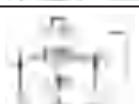
f(mm): Deflection / 变形量

F(N): Type of load/ 载荷

L(mm): Profile length/ 型材长度

I(cm): Moment of inertia/ 惯性矩

E(N/mm²):Modular of elasticity/ 弹性模量

1		$f = \frac{FL^3}{3EI \cdot 10^6}$	2		$f = \frac{5FL^3}{384E \cdot I \cdot 10^6}$
3		$f = \frac{FL^3 + F_1L_1^2L + F_2L_2^2L}{3EI \cdot 10^6}$	4		$f = \frac{F \cdot a^2 \cdot b^2}{3E \cdot I \cdot 10^6 \cdot L}$
5		$f = \frac{q \cdot L^4}{8EI \cdot 10^6}$	6		$f = \frac{q \cdot L^4}{192E \cdot I \cdot 10^6}$
7		$f = \frac{q \cdot L^4}{48E \cdot I \cdot 10^6}$	8		$f = \frac{q \cdot L^4}{384E \cdot I \cdot 10^6}$
9		$f = \frac{q \cdot L^4}{\left[48 + \frac{29m}{L}\right] \cdot E \cdot I \cdot 10^6}$			

Approximate determination of deflection
变形量速查表

Determinations of deflection:

变形量决定因素:

- 1.Type of load F in N
承载力 F(N)
- 2.Profile length Lin mm
型材长度 L(mm)
- 3.Move cross point on the diagonal
承载力与型材长度的交点
- 4.Moment of inertia of selected profile I in cm²
所选型材惯性矩 I(cm²)
- 5.Cross point with the diagonal to be vertically extended to the bottom
从交点垂直延伸到底部的直线
- 6.Deflection f for the specific "Type of load in mm
不同承受方式的变形量 f(mm)

Example: 示例:

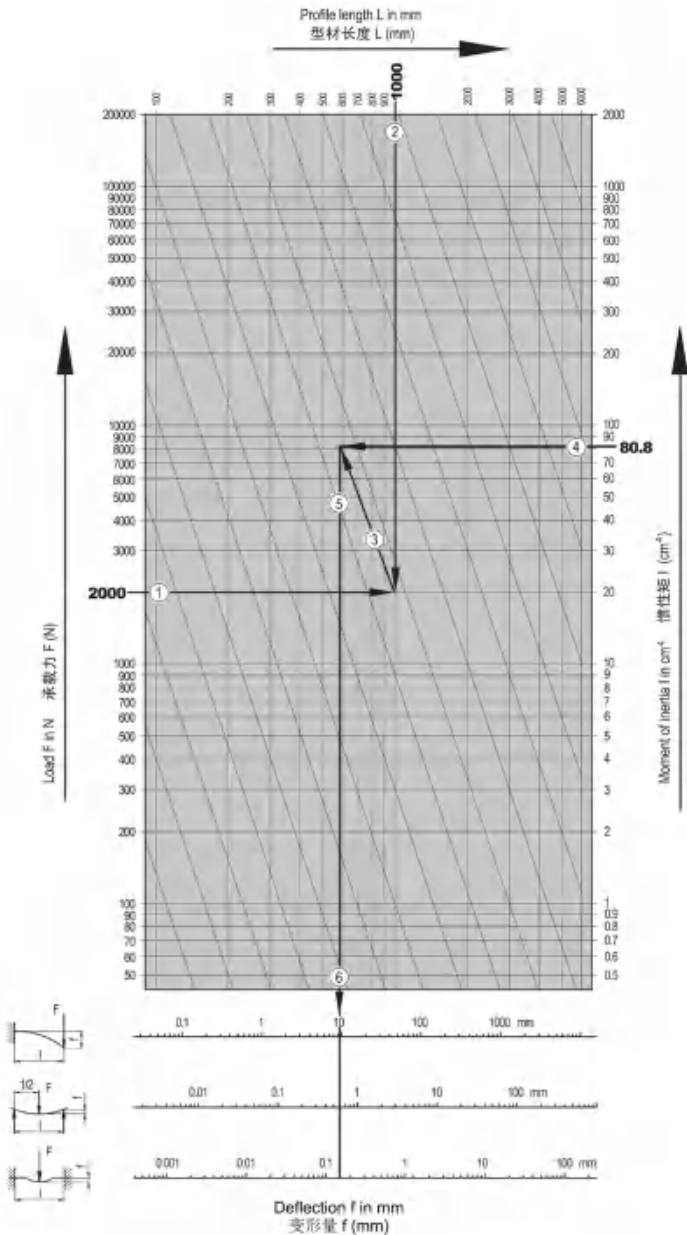
- 1.F=2,000N
- 2.L=1,000mm
- 3.Move cross point on the diagonal
①与②的交点

- 4.1=80.8cm²for profile 40x80,6EH
(1.11.40.040080.06H)
I=80.8cm² 选择惯性矩为 80.8 的 40x80 重型型材
(1.11.40.040080.06H)

- 5.Cross point with the diagonal to be vertically extended to the bottom
从点③沿斜线向上与④的延伸线对应的交点

- 6.Deflection f for the specific "Type of load in mm
不同承重方式的变形量 f(mm)Type of load

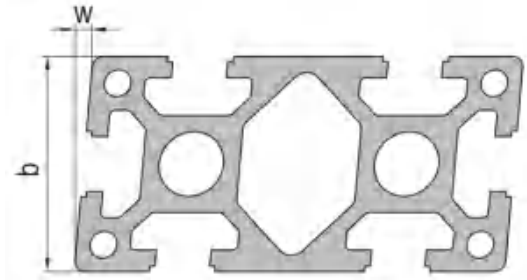
- 1: f=9.5mm
一端固定负载: f=9.5mm
- Type of load 4: f=0.6mm
两端支撑负载: f=0.6mm
- Type of load 8: f=0.15mm
两端固定负载: f=0.15mm



Profile Tolerance
型材公差

Flatness tolerance
平面度

b(mm)	w(mm)
≤ 40	0.3
> 40-80	0.5
> 80-180	1.0

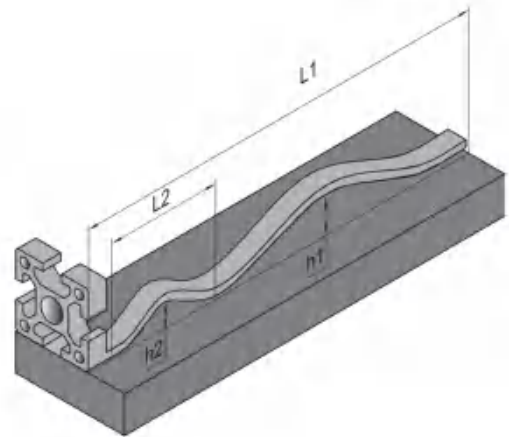


The flatness tolerance w (angular tolerance) refers to unequal sides to the shorter side of the angle, i.e. it is measured from the longer side.

平面度公差 w (角度公差) 是指变形一边到型材短边的距离, 从长边处测量。

Straightness tolerance
直线度

L1(m)	1	2	3	4	5	6
h1(mm)	0.7	1.4	2.1	2.8	3.5	4.2



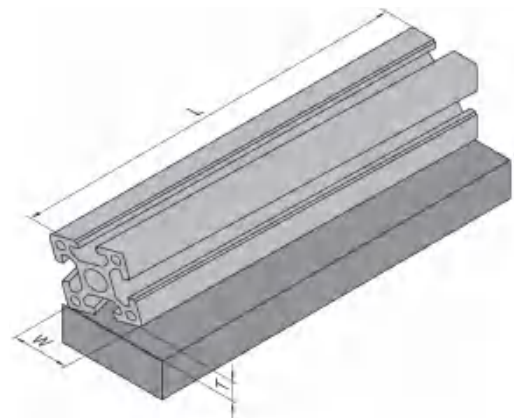
Putting the profile on a horizontal surface, the max bending height h2 in any length of 30mm(L2) is not more than 0.3mm(L2=300mm, h2≤0.3mm). Refer to the above table for the bending height h1 of the full length profile (L1).

型材水平放置, 任意位置的长度 L2=300mm, 其弯曲变形高度 h2 的最大值不超过 0.3mm (L2=300mm, h2 ≤ 0.

3mm)。型材全长 L1 的弯曲变形高度 h1 参照上表:

Twist tolerance
扭曲度

W(mm)	T(mm)	
	L ≤ 1m	L ≥ 1m
≤ 40	0.052 x W	0.123 x W
> 40-80	0.026 x W	0.087 x W
80-180	0.017 x W	0.052 x W



Putting the profile on a horizontal surface, if the end tilts due to twist, the twist height (T) could be calculated according to the formula above:



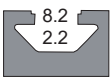

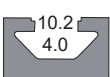

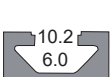

型材水平放置, 若因扭曲造成端面翘起, 扭曲的高度 (T) 可根据以上公式计算。

T Slot Symbol

T 形槽符号

Parts compatible with T slot symbolized and incompatible with faded symbolized as below.
组件若适合安装到此 T 形槽上, T 形槽用深色表示; 反之则用浅色示例如下:



T slot symbol T 型槽符号	Cross section 型材截面	Core hole ϕ 中心孔 ϕ	Slot width 槽宽	Slot depth 槽深	Wall thickness 壁厚	Profile group 型材系列
		5.0	6.2	6.0	2.0	AP20
		10.0	8.2	8.0	2.2	AP30 AP40
		12.0	10.2	11.0	4.0	AP40
		12.0	10.2	13.0	6.0	AP45

Machining Symbol

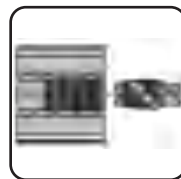
加工符号



Driling
需钻孔



Angle cutting
需切割角度



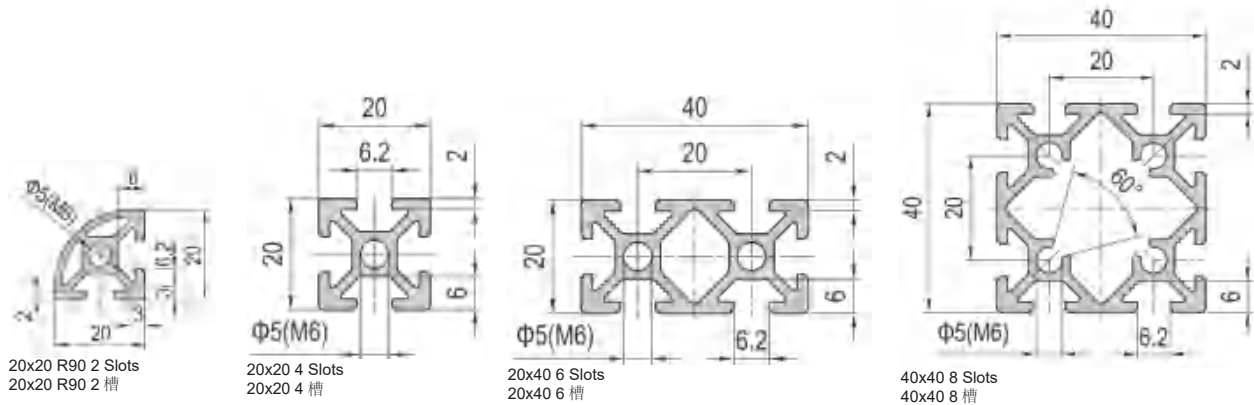
Thread tapping
需攻丝

Strut Profile AP20

基础框架型材 20 系列

Strut profile AP20 featuring 6mm T-slot is designed for constructing light weight assemblies.

基础框架型材 20 系列，槽宽 6mm, 适用于轻负载结构。



Description 产品描述	Moment of Inertia 惯性矩 Ix(cm)	Moment of Inertia 惯性矩 Iy(cm ⁴)	Moment of Resistance 弯矩 Wx(cm ³)	Moment of Resistance 弯矩 Wy(cm ³)	Mass 重量 (kg/m)	Code No. 产品编号
Strut Profile AP20 20x20 R90 2 Slots 基础框架型材 20 系列 20x20 R90 2 槽	0.6	0.6	0.5	0.5	0.45	AP2020-R90-02
Strut Profile AP20 20x20 4 Slots 基础框架型材 20 系列 4 槽	0.8	0.8	0.8	0.8	0.5	AP2020-04
Strut Profile AP20 20x40 6 Slots 基础框架型材 20 系列 20x40 6 槽	1.4	5.1	1.4	2.5	0.9	AP2040-06
Strut Profile AP20 40x40 8 Slots 基础框架型材 20 系列 40x40 8 槽	8.9	8.9	4.5	4.5	1.3	AP4040-08

Connector selection

推荐连接件



Die Cast Bracket
压铸角铝



Angle Profile Bracket
挤压角铝



Inner bracket
槽内直角件



Linear Bar Connector
槽内直线件

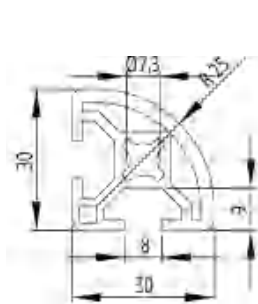


Metal Connector Bracket
铁制连接件

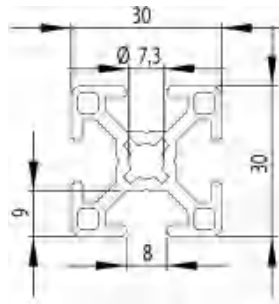
Strut Profile AP30
基础框架型材 30 系列

Strut profile AP30 featuring 8mm T-slot is designed for constructing medium weight assemblies such as machine structure frame, trolley, work station, partition and display frame etc.

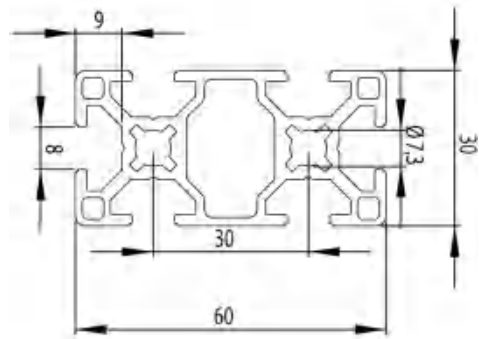
基础框架型材 30 系列，槽宽 8mm，适用于中度负载结构：机器结构框架，物料车，工作台，工厂车间隔断，展示架等。



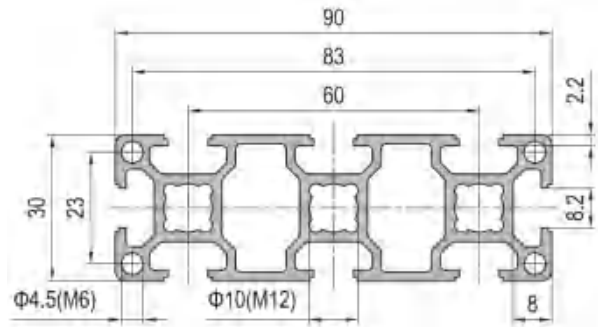
30x30 R90 2 slots
30x30 R90 2 槽



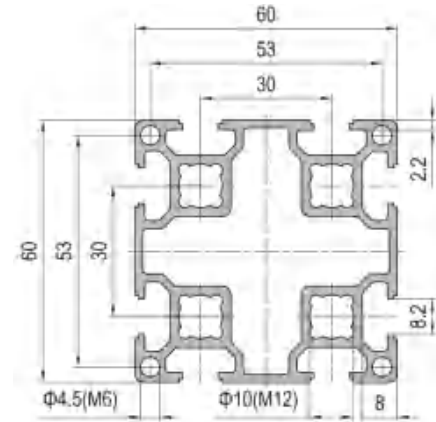
30x30 4 slots
30x30 4 槽



30x60 6 slots
30x60 6 槽



30x90 8 slots
30x90 8 槽



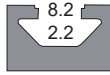
60x60 8 slots
60x60 8 槽

Description 产品描述	Moment of Inertia 惯性矩 Ix(cm)	Moment of Inertia 惯性矩 Iy(cm ⁴)	Moment of Resistance 弯矩 Wx(cm ³)	Moment of Resistance 弯矩 Wy(cm ³)	Mass 重量 (kg/m)	Code No. 产品编号
Strut Profile AP30 30x30 R90 2 Slots 基础框架型材 30 系列 30x30 R90 2 槽	2.0	2.0	1.5	1.5	0.8	AP3030-R90-02
Strut Profile AP30 30x30 4 Slots 基础框架型材 30 系列 30x30 4 槽	2.6	2.6	1.8	1.8	0.8	AP3030-04
Strut Profile AP30 30x60 6 Slots 基础框架型材 30 系列 30x60 6 槽	5.3	19.9	3.5	6.7	1.6	AP3060-06
Strut Profile AP30 30x90 8 Slots 基础框架型材 30 系列 30x90 8 槽	7.7	62.0	5.1	13.8	2.2	AP3090-08
Strut Profile AP30 60x60 8 Slots 基础框架型材 30 系列 60x60 8 槽	35.3	35.3	11.8	11.8	2.5	AP6060-08

Connector selection
推荐连接件

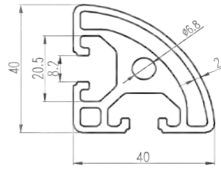


Strut Profile AP40
基础框架型材 40 系列

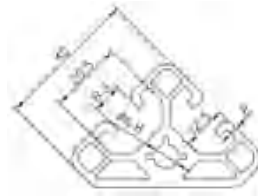


Strut profile AP40 featuring 8mm T-slot is designed for constructing medium or heavy weight assemblies, such as machine structure frame, trolley, work station, partition and display frames ect.(Profile AP40 is frequently used).

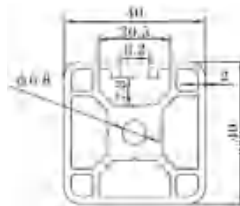
基础框架型材 40 系列，槽宽 10mm，适用于中度负载或重负载结构： 机器结构框架，物料车，工作台，工厂车间隔断，展示架等，是应用最为广泛的型材系列。



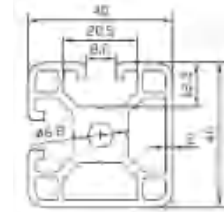
40x40 R90 2 slots
40x40 R90 2 槽



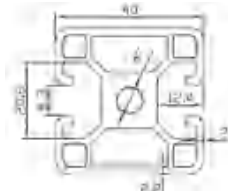
40x40 T45 2 slots
40x40 T45 2 槽



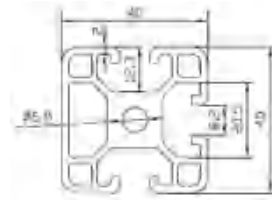
40x40 1 slot
40x40 1 槽



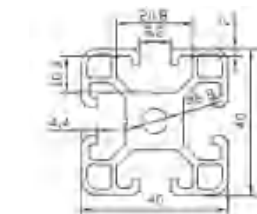
40x40 2 slots Type A
40x40 2 槽 A 型



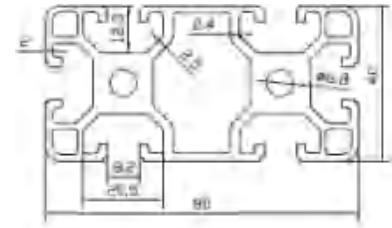
40x40 2 slots Type B
40x40 2 槽 B 型



40x40 3 slots
40x40 3 槽



40x40 4 slots
40x40 4 槽



40x80 6 slots
40x80 6 槽

Description 产品描述	Moment of Inertia 惯性矩 Ix(cm)	Moment of Inertia 惯性矩 Iy(cm ⁴)	Moment of Resistance 弯矩 Wx(cm ³)	Moment of Resistance 弯矩 Wy(cm ³)	Mass 重量 (kg/m)	Code No. 产品编号
Strut Profile AP40 40x40 R90 2 Slots 基础框架型材 40 系列 40x40 R90 2 槽	6.5	6.5	3.7	3.7	1.3	AP4040-R90-02-8
Strut Profile AP40 40x40 T45 2 Slots 基础框架型材 40 系列 40x40 T45 2 槽	6.5	6.5	3.25	3.25	1.21	AP4040-T45-02-8
Strut Profile AP40 40x40 1 Slot 基础框架型材 40 系列 40x40 1 槽	10.4	10.1	5.2	5.0	1.68	AP4040-01-8
Strut Profile AP40 40x40 2 Slots Type A 基础框架型材 40 系列 40x40 2 槽 A 型	9.6	9.6	4.5	4.5	1.5	AP4040-02A-8
Strut Profile AP40 40x40 2 Slots Type B 基础框架型材 40 系列 40x40 2 槽 B 型	9.6	8.6	4.8	4.3	1.5	AP4040-02B-8
Strut Profile AP40 40x40 3 Slots 基础框架型材 40 系列 40x40 3 槽	9.1	8.6	4.5	4.3	1.5	AP4040-03-8
Strut Profile AP40 40x40 4 Slots 基础框架型材 40 系列 40x40 4 槽	9.1	9.1	4.6	4.6	1.6	AP4040-04-8
Strut Profile AP40 40x80 6 Slots 基础框架型材 40 系列 40x80 6 槽	16.6	63.2	8.3	15.8	2.7	AP4080-06-8

Connector selection
推荐连接件



Metal Connector Bracket
铁制连接件



Die Cast Bracket
压铸角铝



Angle Profile Bracket
挤压角铝



Inner bracket
槽内直角件



Linear Bar Connector
槽内直线件



Anchor Connector
锚式连接销



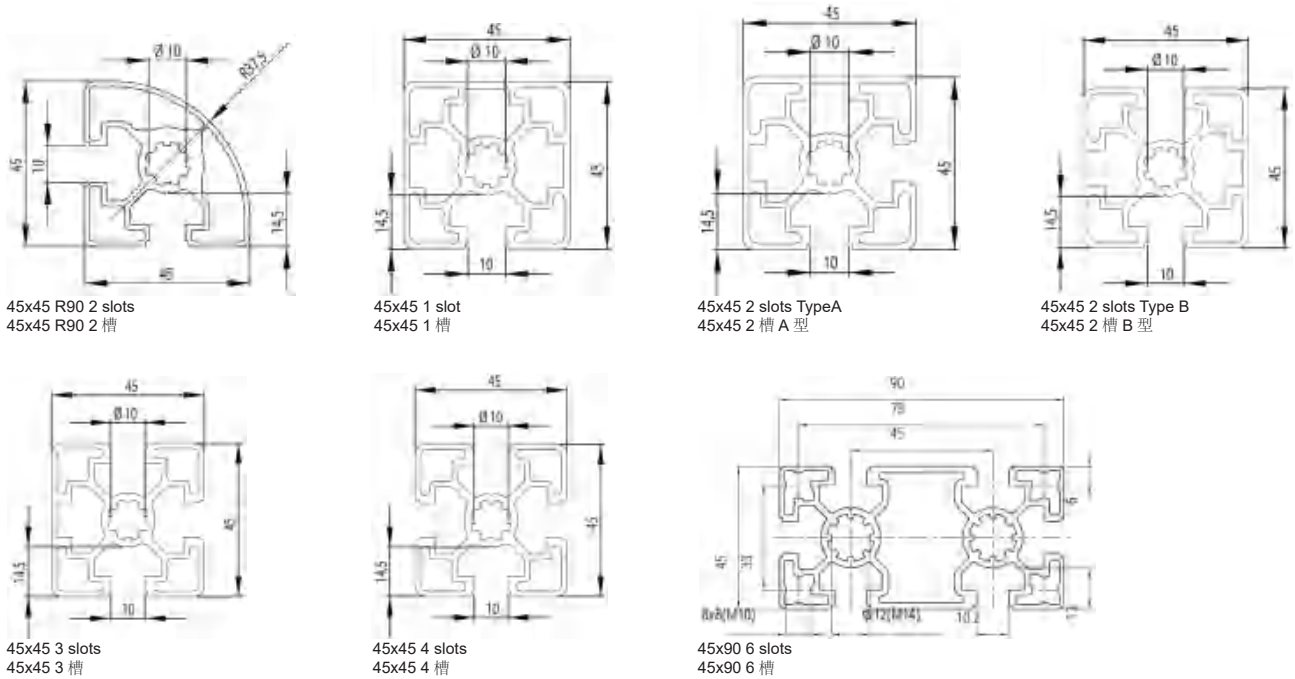
Screw Connector
大螺栓

Strut Profile AP45

基础框架型材 45 系列

Strut Profile AP45 featuring 10mm T-slot is designed for constructing heavy weight assemblies such as machine structure frame and workshop partition ect.

基础框架型材 45 系列，槽宽 10mm，适用于重负载结构：机器结构框架，工厂车间隔断等。



Description 产品描述	Moment of Inertia 惯性矩 Ix(cm)	Moment of Inertia 惯性矩 Iy(cm ⁴)	Moment of Resistance 弯矩 Wx(cm ³)	Moment of Resistance 弯矩 Wy(cm ³)	Mass 重量 (kg/m)	Code No. 产品编号
Strut Profile AP45 45x45 R90 2 Slots 基础框架型材 45 系列 45x45 R90 2 槽	8.4	8.4	4.3	4.3	1.5	AP4545-R90-02
Strut Profile AP45 45x45 1 Slot 基础框架型材 45 系列 45x45 1 槽	13.7	13.7	6.5	6.2	2.0	AP4545-01
Strut Profile AP45 45x45 2 Slots Type A 基础框架型材 45 系列 45x45 2 槽 A 型	12.9	12.9	5.7	5.7	1.9	AP4545-02A
Strut Profile AP45 45x45 2 Slots Type B 基础框架型材 45 系列 45x45 2 槽 B 型	13.7	12.1	6.1	5.4	1.9	AP4545-02B
Strut Profile AP45 45x45 3 Slots 基础框架型材 45 系列 45x45 3 槽	12.9	12.1	5.7	5.4	1.8	AP4545-03
Strut Profile AP45 45x45 4 Slots 基础框架型材 45 系列 45x45 4 槽	10.5	10.5	5.4	5.4	1.8	AP4545-04
Strut Profile AP45 45x90 6 Slots 基础框架型材 45 系列 45x90 6 槽	21.6	80.0	9.6	17.7	2.85	AP4590-06

Connector selection

推荐连接件





Pre-set Nut
预置螺母

T Nut
T型螺母

Subsequent Nut
后置弹片螺母

Spring Nut
后置弹珠螺母

Flange Nut
法兰螺母

T Screw
T型螺栓

Hole Reducer Screw
变径螺栓

Socket head Screw
圆柱头螺栓

Round Head Hexagon
Socket Screws
圆头内六角螺栓

Flat Head Hexagon Socket
Screws
平头内六角螺栓

Flat Washer
垫片

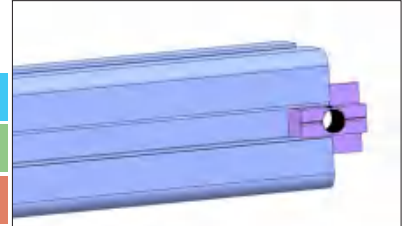
Fastening Elements
紧固件

Pre-set Nut
预置螺母

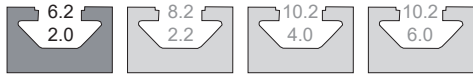
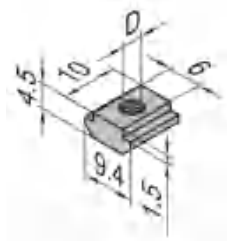
Pre-set nut can be only put into T slot from profile end, with low assembly efficiency, but with good connection and stability.

预置螺母只能从型材端头置入 T 型槽内，因为装配效率不高，但具有最优良的连接强度和可靠性。

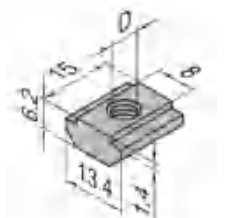
Material : Pre-set Nut zinc plated steel
材质：预置螺母 - 蓝锌



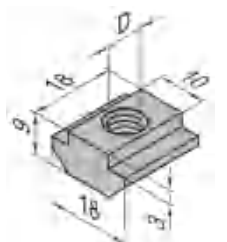
Reliability 强度:	★★★★★
Efficiency 安装效率:	★★★
Economical 强度:	★★★



Description 产品描述	D	Mass 重量 (g/pcs)	Code No. 产品编号
Pre-set nut-6-M4 预置螺母 -6-M4	M4	8	PN06-M4
Pre-set nut-6-M5 预置螺母 -6-M5	M5	8	PN06-M5



Description 产品描述	D	Mass 重量 (g/pcs)	Code No. 产品编号
Pre-set nut-8-M4 预置螺母 -8-M4	M4	8	PN08-M4
Pre-set nut-8-M5 预置螺母 -8-M5	M5	8	PN08-M5
Pre-set nut-8-M6 预置螺母 -8-M6	M6	7	PN08-M6
Pre-set nut-8-M8 预置螺母 -8-M8	M8	8	PN08-M8



Description 产品描述	D	Mass 重量 (g/pcs)	Code No. 产品编号
Pre-set nut-10-M4 预置螺母 -10-M4	M4	16	PN10-M4
Pre-set nut-10-M5 预置螺母 -10-M5	M5	16	PN10-M5
Pre-set nut-10-M6 预置螺母 -10-M6	M6	15	PN10-M6
Pre-set nut-10-M8 预置螺母 -10-M8	M8	14	PN10-M8

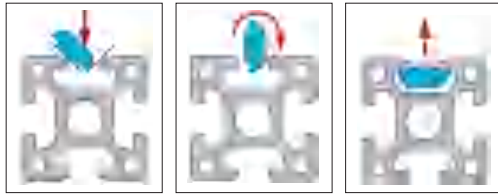
Fastening Element
紧固件

Subsequent Nut
后置弹片螺母

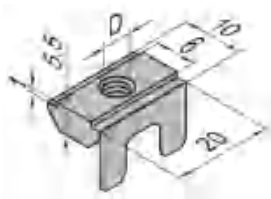
Subsequent Nut with a spring leaf can be inserted directly at the assembly point. The spring assists with assembly and positioning. The connecting strength and stability is same as T nut.

后置弹片螺母不仅可以从型材 T 型槽外部直接置入槽内，还能依靠弹片的弹力保持其在槽内位置，连接强度和可靠性，与 T 型螺母相当。

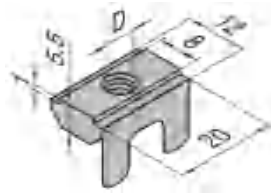
Material: Nickel plated steel
材质：镀镍



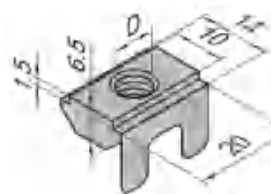
Reliability 强度:	★★★★
Efficiency 安装效率:	★★★★
Economical 强度:	★★★



Description 产品描述	D	Mass 重量 (g/pcs)	Code No. 产品编号
Subsequent nut-6-M4 后置弹片螺母 -6-M4	M4	8	SQN06-M4
Subsequent nut-6-M5 后置弹片螺母 -6-M5	M5	8	SQN06-M5
Subsequent nut-6-M6 后置弹片螺母 -6-M6	M6	8	SQN06-M6



Description 产品描述	D	Mass 重量 (g/pcs)	Code No. 产品编号
Subsequent nut-8-M4 后置弹片螺母 -8-M4	M4	8	SQN08-M4
Subsequent nut-8-M5 后置弹片螺母 -8-M5	M5	8	SQN08-M5
Subsequent nut-8-M6 后置弹片螺母 -8-M6	M6	7	SQN08-M6
Subsequent nut-8-M8 后置弹片螺母 -8-M8	M8	7	SQN08-M8



Description 产品描述	D	Mass 重量 (g/pcs)	Code No. 产品编号
Subsequent nut-10-M4 后置弹片螺母 -8-M4	M4	10	SQN10-M4
Subsequent nut-10-M5 后置弹片螺母 -8-M5	M5	10	SQN10-M5
Subsequent nut-10-M6 后置弹片螺母 -8-M6	M6	9	SQN10-M6
Subsequent nut-10-M8 后置弹片螺母 -8-M8	M8	9	SQN10-M8

Fastening Element
紧固件

Spring Nut
后置弹珠螺母

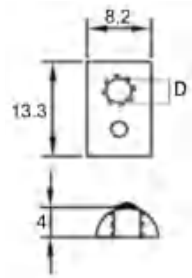
Spring Nut with a spring ball can be inserted directly at the assembly point. The spring assists with assembly and positioning. The connecting strength and stability is same as T nut.

后置弹珠螺母不仅可以从型材 T 型槽外部直接置入槽内，还能依靠弹珠的弹力保持其在槽内位置，连接强度和可靠性，与 T 型螺母相当。

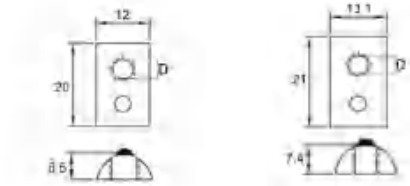
Material: Nickel plated steel
材质：镀镍



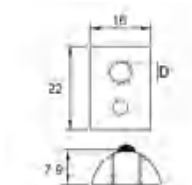
Reliability 强度:	★★★★
Efficiency 安装效率:	★★★★
Economical 强度:	★★★



Description 产品描述	D	Mass 重量 (g/pcs)	Code No. 产品编号
Spring nut-6-M4 后置弹珠螺母 -6-M4	M4	7	SN06-M4
Spring nut-6-M5 后置弹珠螺母 -6-M5	M5	7	SN06-M5
Spring nut-6-M6 后置弹珠螺母 -6-M6	M6	7	SN06-M6



Description 产品描述	D	Mass 重量 (g/pcs)	Code No. 产品编号
Spring nut-8-M4 后置弹片螺母 -8-M4	M4	7	SN08-M4
Spring nut-8-M5 后置弹片螺母 -8-M5	M5	7	SN08-M5
Spring nut-8-M6 后置弹片螺母 -8-M6	M6	6	SN08-M6
Spring nut-8-M8 后置弹片螺母 -8-M8	M8	6	SN08-M8



Description 产品描述	D	Mass 重量 (g/pcs)	Code No. 产品编号
Spring nut-10-M4 后置弹片螺母 -8-M4	M4	9	SN10-M4
Spring nut-10-M5 后置弹片螺母 -8-M5	M5	9	SN10-M5
Spring nut-10-M6 后置弹片螺母 -8-M6	M6	8	SN10-M6
Spring nut-10-M8 后置弹片螺母 -8-M8	M8	8	SN10-M8

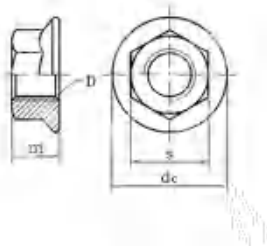
Fastening Element
紧固件

Flange Nut
法兰螺母

Flange Nuts are used for profile mounting nuts, and usually be used with T nuts.

法兰螺母用于型材外置螺母，常与 T 型螺栓搭配使用。

Material: Nickel plated steel
材质：镀镍



Description 产品描述	D	Diameter 直径 dc(mm)	Hex diameter 六角对边 s(mm)	Thickness 厚度 m(mm)	Mass 重量 (g/pcs)	Code No. 产品编号
Flange nut-M4 法兰螺母 -M4	M4	9.0	6.8	13.1	3.5	FN-M4
Flange nut-M5 法兰螺母 -M5	M5	10.8	8.0	10.0	4.0	FN-M5
Flange nut-M6 法兰螺母 -M6	M6	13.1	10.0	12.0	4.5	FN-M6
Flange nut-M8 法兰螺母 -M8	M8	16.1	12.0	6.2	5.0	FN-M8
Flange nut-M10 法兰螺母 -M10	M10	18.1	13.9	7.8	5.5	FN-M10
Flange nut-M12 法兰螺母 -M12	M12	21.6	18	9.7	6.0	FN-M12

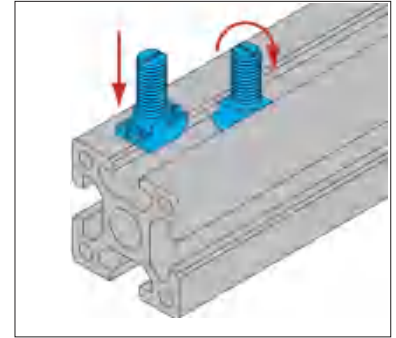
Fastening Element
紧固件

T screw
T 型螺栓

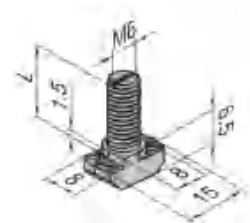
Similar to T nut, T screw can be inserted directly at assembly point, with high assembly efficiency. The connection strength and stability are same as T nut.

与T型螺母相似，T型螺栓可以从T型槽外部直接置入槽内，因而装配效率高，其连接强度和可靠性也与T型螺母相当。

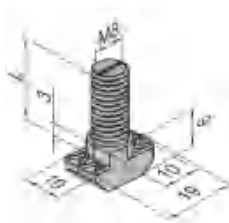
Material: Nickel plated steel
材质：镀镍



Description 产品描述	L	Mass 重量 (g/pcs)	Code No. 产品编号
T screw-6-12 T 型螺栓 -6-12	12	7	TB06-M5*12
T screw-6-16 T 型螺栓 -6-16	16	8	TB06-M5*16



Description 产品描述	L	Mass 重量 (g/pcs)	Code No. 产品编号
T screw-8-16 T 型螺栓 -8-16	16	7	TB08-M6*16
T screw-8-20 T 型螺栓 -8-20	20	8	TB08-M6*20
T screw-8-25 T 型螺栓 -8-25	25	9	TB08-M6*25



Description 产品描述	L	Mass 重量 (g/pcs)	Code No. 产品编号
T screw-10-20 T 型螺栓 -10-20	20	13	TB10-M8*20
T screw-10-25 T 型螺栓 -10-25	25	15	TB10-M8*25
T screw-10-30 T 型螺栓 -10-30	30	17	TB10-M8*30
T screw-10-35 T 型螺栓 -10-35	35	19	TB10-M8*35

Fastening Element
紧固件

Hole Reducer Screw
变径螺栓



To reduce the hole diameter of the profile and improve the thread connection strength.

变径螺栓用于减小型材孔径和提高螺纹连接强度。

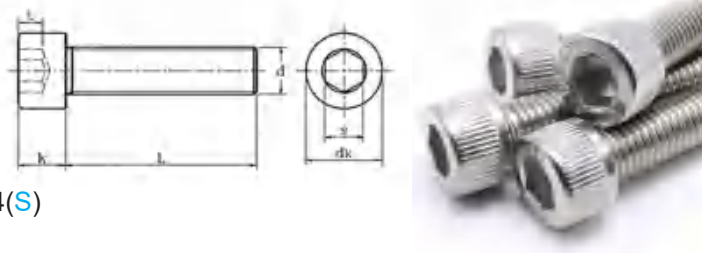
Material: Nickel plated steel
材质：镀镍



Description 产品描述	D	G	L (mm)	Mass 重量 (g/pcs)	Code No. 产品编号
Hole Reducer Screw-M10/M6 变径螺栓 -M10/M6	M10	M6	15	8	HRS-10-06
Hole Reducer Screw-M8/M6 变径螺栓 -M8/M6	M8	M6	15	11	HRS-08-06
Hole Reducer Screw-M12/M6 变径螺栓 -M12/M6	M12	M6	20	11	HRS-12-06
Hole Reducer Screw-M14/M8 变径螺栓 -M14/M8	M14	M8	20	14	HRS-14-08
Hole Reducer Screw-M14/M10 变径螺栓 -M14/M10	M14	M10	20	8	HRS-14-10
Hole Reducer Screw-M16/M8 变径螺栓 -M16/M8	M16	M8	20	19	HRS-16-08

Fastening Element
紧固件

Socket head Screw
圆柱头螺栓

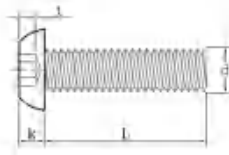


Material: Zinc plated steel(Z) / Stainless steel-304(S)
材质: 碳钢镀锌 / 不锈钢 304

Description 产品描述	d	L	dk (mm)		k (mm)		s (mm)		t	Code No. 产品编号
			max	min	max	min	max	min	min	
Socket head Screw-M4 圆柱头螺栓 -M4	M4	10	7.22	6.78	4	3.82	3.08	3.02	2	SHS-04-10
	M4	12	7.22	6.78	4	3.82	3.08	3.02	2	SHS-04-12
	M4	16	7.22	6.78	4	3.82	3.08	3.02	2	SHS-04-16
	M4	20	7.22	6.78	4	3.82	3.08	3.02	2	SHS-04-20
	M4	25	7.22	6.78	4	3.82	3.08	3.02	2	SHS-04-25
	M4	30	7.22	6.78	4	3.82	3.08	3.02	2	SHS-04-30
Socket head Screw-M5 圆柱头螺栓 -M5	M5	10	8.72	8.28	5	4.82	4.095	4.02	2.5	SHS-05-10
	M5	12	8.72	8.28	5	4.82	4.095	4.02	2.5	SHS-05-12
	M5	16	8.72	8.28	5	4.82	4.095	4.02	2.5	SHS-05-16
	M5	20	8.72	8.28	5	4.82	4.095	4.02	2.5	SHS-05-20
	M5	25	8.72	8.28	5	4.82	4.095	4.02	2.5	SHS-05-25
	M5	30	8.72	8.28	5	4.82	4.095	4.02	2.5	SHS-05-30
Socket head Screw-M6 圆柱头螺栓 -M6	M6	10	10.22	9.78	6	5.7	5.14	5.02	3	SHS-06-10
	M6	12	10.22	9.78	6	5.7	5.14	5.02	3	SHS-06-12
	M6	16	10.22	9.78	6	5.7	5.14	5.02	3	SHS-06-16
	M6	20	10.22	9.78	6	5.7	5.14	5.02	3	SHS-06-20
	M6	25	10.22	9.78	6	5.7	5.14	5.02	3	SHS-06-25
	M6	30	10.22	9.78	6	5.7	5.14	5.02	3	SHS-06-30
Socket head Screw-M8 圆柱头螺栓 -M8	M8	10	13.27	12.73	8	7.64	6.14	6.02	4	SHS-08-10
	M8	12	13.27	12.73	8	7.64	6.14	6.02	4	SHS-08-12
	M8	16	13.27	12.73	8	7.64	6.14	6.02	4	SHS-08-16
	M8	20	13.27	12.73	8	7.64	6.14	6.02	4	SHS-08-20
	M8	25	13.27	12.73	8	7.64	6.14	6.02	4	SHS-08-25
	M8	30	13.27	12.73	8	7.64	6.14	6.02	4	SHS-08-30
Socket head Screw-M10 圆柱头螺栓 -M10	M10	20	16.27	15.73	10	9.64	8.175	8.025	5	SHS-10-20
	M10	25	16.27	15.73	10	9.64	8.175	8.025	5	SHS-10-25
	M10	30	16.27	15.73	10	9.64	8.175	8.025	5	SHS-10-30
Socket head Screw-M12 圆柱头螺栓 -M12	M12	20	18.27	17.73	12	11.57	10.18	10.025	6	SHS-12-20
	M12	25	18.27	17.73	12	11.57	10.18	10.025	6	SHS-12-25
	M12	30	18.27	17.73	12	11.57	10.18	10.025	6	SHS-12-30

Fsatening Element
紧固件

Round Head Hexagon Socket Screws
圆头内六角螺栓

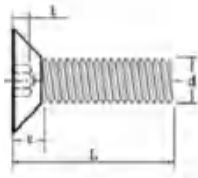


Material: Zinc plated steel(Z) / Stainless steel-304(S)
材质: 碳钢镀锌 / 不锈钢 304

Description 产品描述	d	L	dk (mm)		k (mm)		s (mm)		t	Code No. 产品编号
			max	min	max	min	max	min		
Round Head Hexagon Socket Screws -M4 圆头内六角螺栓 -M4	M4	10	7.6	7.24	2.20	1.95	2.56	2.52	1.30	RHS-04-10
	M4	12	7.6	7.24	2.20	1.95	2.56	2.52	1.30	RHS-04-12
	M4	16	7.6	7.24	2.20	1.95	2.56	2.52	1.30	RHS-04-16
	M4	20	7.6	7.24	2.20	1.95	2.56	2.52	1.30	RHS-04-20
	M4	25	7.6	7.24	2.20	1.95	2.56	2.52	1.30	RHS-04-25
	M4	30	7.6	7.24	2.20	1.95	2.56	2.52	1.30	RHS-04-30
Round Head Hexagon Socket Screws -M5 圆头内六角螺栓 -M5	M5	10	9.5	9.14	2.75	2.50	3.071	3.050	1.56	RHS-05-10
	M5	12	9.5	9.14	2.75	2.50	3.071	3.050	1.56	RHS-05-12
	M5	16	9.5	9.14	2.75	2.50	3.071	3.050	1.56	RHS-05-16
	M5	20	9.5	9.14	2.75	2.50	3.071	3.050	1.56	RHS-05-20
	M5	25	9.5	9.14	2.75	2.50	3.071	3.050	1.56	RHS-05-25
	M5	30	9.5	9.14	2.75	2.50	3.071	3.050	1.56	RHS-05-30
Round Head Hexagon Socket Screws -M6 圆头内六角螺栓 -M6	M6	10	10.5	10.07	3.3	3.0	4.084	4.020	2.08	RHS-06-10
	M6	12	10.5	10.07	3.3	3.0	4.084	4.020	2.08	RHS-06-12
	M6	16	10.5	10.07	3.3	3.0	4.084	4.020	2.08	RHS-06-16
	M6	20	10.5	10.07	3.3	3.0	4.084	4.020	2.08	RHS-06-20
	M6	25	10.5	10.07	3.3	3.0	4.084	4.020	2.08	RHS-06-25
	M6	30	10.5	10.07	3.3	3.0	4.084	4.020	2.08	RHS-06-30
Round Head Hexagon Socket Screws -M8 圆头内六角螺栓 -M8	M8	10	14	13.57	4.4	4.1	5.084	5.020	2.60	RHS-08-10
	M8	12	14	13.57	4.4	4.1	5.084	5.020	2.60	RHS-08-12
	M8	16	14	13.57	4.4	4.1	5.084	5.020	2.60	RHS-08-16
	M8	20	14	13.57	4.4	4.1	5.084	5.020	2.60	RHS-08-20
	M8	25	14	13.57	4.4	4.1	5.084	5.020	2.60	RHS-08-25
	M8	30	14	13.57	4.4	4.1	5.084	5.020	2.60	RHS-08-30
Round Head Hexagon Socket Screws -M10 圆头内六角螺栓 -M10	M10	20	17.5	17.07	5.5	5.2	6.095	6.020	3.12	RHS-10-20
	M10	25	17.5	17.07	5.5	5.2	6.095	6.020	3.12	RHS-10-25
	M10	30	17.5	17.07	5.5	5.2	6.095	6.020	3.12	RHS-10-30
Round Head Hexagon Socket Screws -M12 圆头内六角螺栓 -M12	M12	20	21	20.48	6.6	6.24	8.115	8.025	4.16	RHS-12-20
	M12	25	21	20.48	6.6	6.24	8.115	8.025	4.16	RHS-12-25
	M12	30	21	20.48	6.6	6.24	8.115	8.025	4.16	RHS-12-30
Round Head Hexagon Socket Screws -M16 圆头内六角螺栓 -M16	M16	20	28	27.48	8.8	8.44	10.115	10.025	5.2	RHS-16-20
	M16	25	28	27.48	8.8	8.44	10.115	10.025	5.2	RHS-16-25
	M16	30	28	27.48	8.8	8.44	10.115	10.025	5.2	RHS-16-30

Fastening Element
紧固件

Flat Head Hexagon Socket Screws
平头内六角螺栓



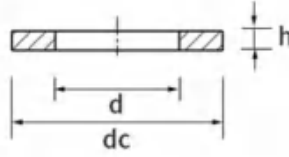
Material: Zinc plated steel(Z) / Stainless steel-304(S)
材质: 碳钢镀锌 / 不锈钢 304

Description 产品描述	d	L	dk (mm)		k (mm)	s (mm)		t		Code No. 产品编号
			max	min	≈	max	min	max	min	
Flat Head Hexagon Socket Screws -M4 平头内六角螺栓 -M4	M4	10	8	7.64	3.4	2.6	2.52	1.8	1.55	FHS-04-10
	M4	12	8	7.64	3.4	2.6	2.52	1.8	1.55	FHS-04-12
	M4	16	8	7.64	3.4	2.6	2.52	1.8	1.55	FHS-04-16
	M4	20	8	7.64	3.4	2.6	2.52	1.8	1.55	FHS-04-20
	M4	25	8	7.64	3.4	2.6	2.52	1.8	1.55	FHS-04-25
	M4	30	8	7.64	3.4	2.6	2.52	1.8	1.55	FHS-04-30
Flat Head Hexagon Socket Screws -M5 平头内六角螺栓 -M5	M5	10	10	9.64	4.1	3.1	3.02	2.3	2.05	FHS-05-10
	M5	12	10	9.64	4.1	3.1	3.02	2.3	2.05	FHS-05-12
	M5	16	10	9.64	4.1	3.1	3.02	2.3	2.05	FHS-05-16
	M5	20	10	9.64	4.1	3.1	3.02	2.3	2.05	FHS-05-20
	M5	25	10	9.64	4.1	3.1	3.02	2.3	2.05	FHS-05-25
	M5	30	10	9.64	4.1	3.1	3.02	2.3	2.05	FHS-05-30
Flat Head Hexagon Socket Screws -M6 平头内六角螺栓 -M6	M6	10	12	11.57	4.9	4.12	4.02	2.5	2.25	FHS-06-10
	M6	12	12	11.57	4.9	4.12	4.02	2.5	2.25	FHS-06-12
	M6	16	12	11.57	4.9	4.12	4.02	2.5	2.25	FHS-06-16
	M6	20	12	11.57	4.9	4.12	4.02	2.5	2.25	FHS-06-20
	M6	25	12	11.57	4.9	4.12	4.02	2.5	2.25	FHS-06-25
	M6	30	12	11.57	4.9	4.12	4.02	2.5	2.25	FHS-06-30
Flat Head Hexagon Socket Screws -M8 平头内六角螺栓 -M8	M8	10	16	15.57	6.2	5.14	5.02	3.5	3.2	FHS-08-10
	M8	12	16	15.57	6.2	5.14	5.02	3.5	3.2	FHS-08-12
	M8	16	16	15.57	6.2	5.14	5.02	3.5	3.2	FHS-08-16
	M8	20	16	15.57	6.2	5.14	5.02	3.5	3.2	FHS-08-20
	M8	25	16	15.57	6.2	5.14	5.02	3.5	3.2	FHS-08-25
	M8	30	16	15.57	6.2	5.14	5.02	3.5	3.2	FHS-08-30
Flat Head Hexagon Socket Screws -M10 平头内六角螺栓 -M10	M10	16	20	19.48	7.6	6.14	6.02	4.4	4.1	FHS-10-16
	M10	20	20	19.48	7.6	6.14	6.02	4.4	4.1	FHS-10-20
	M10	25	20	19.48	7.6	6.14	6.02	4.4	4.1	FHS-10-25
	M10	30	20	19.48	7.6	6.14	6.02	4.4	4.1	FHS-10-30
Flat Head Hexagon Socket Screws -M12 平头内六角螺栓 -M12	M12	20	24	23.48	9.6	8.175	8.025	4.6	4.3	FHS-12-20
	M12	25	24	23.48	9.6	8.175	8.025	4.6	4.3	FHS-12-25
	M12	30	24	23.48	9.6	8.175	8.025	4.6	4.3	FHS-12-30

Fsatening Element
紧固件

Flat Washer
垫片

Material: Nickel plated steel
材质: 镀镍



Description 产品描述	d	dc	Mass 重量 (g/pcs)	Code No. 产品编号
Flat Washer-M4 垫片 -M4	4.2	9	0.8	FW-04
Flat Washer-M5 垫片 -M5	5.3	10	0.8	FW-05
Flat Washer-M6 垫片 -M6	6.4	12.5	1.5	FW-06
Flat Washer-M8 垫片 -M8	8.4	17	1.5	FW-08
Flat Washer-M10 垫片 -M10	10.5	21	2	FW-10
Flat Washer-M12 垫片 -M12	13	24	2	FW-12



3 Connecting Elements
连接件

Anchor Connector
锚式连接件

Die Caster Bracket
压铸角铝

Angle Profile Bracket
挤压角铝

Inner Bracket
槽内直角件

Linear Bar Connector
槽内直线件

Joining Plate
连接板

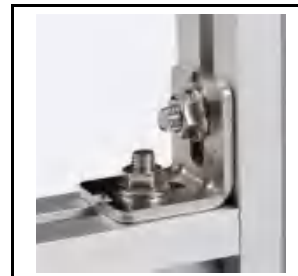
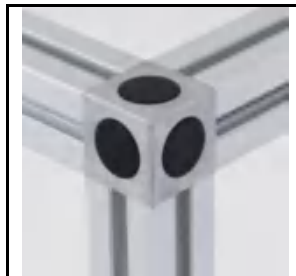
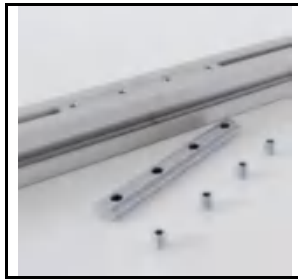
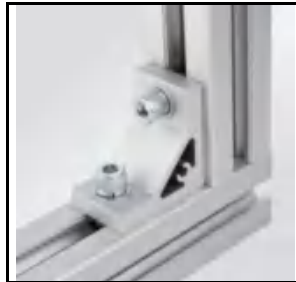
Butt Connector
内置连接件

End Connector
端连接件

Screw Connector
大螺栓












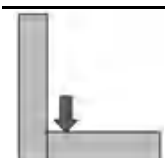






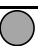

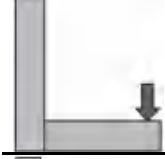





























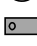

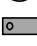





















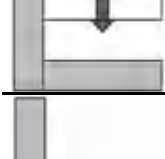








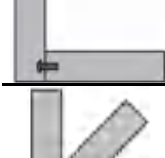

















Cubic Connector
三维连接件

Metal Connector Bracket
冲压铁制连接件



Selection Reference

选型参考

	 Recommended 推荐	 Suitable 适用	 Unsuitable 不适用								
				Anchor Connector 锚式连接销	Die Cast Bracket 压铸角铝	Angle Profile Bracket 挤压角铝	Inner Bracket 槽内直角件	Butt Connector 内置连接件	End Connector 端连接件	Screw Connector 大螺栓	Metal Connector 铁制连接件
 High feed force 高压力											
 High moment 高力矩											
 High torsional moment 高扭矩											
 Minimal inishing work 加工											
 Minimal assembly 安装效率											
 Low parts costs 低成本											
 Subsequent mounting in closed frame 可后续安装在封闭结构上											
 Adjustment possible 可调节											
 Internal connection (concealable) 内部连接 (可隐藏)											
 Angle connection 角度连接											

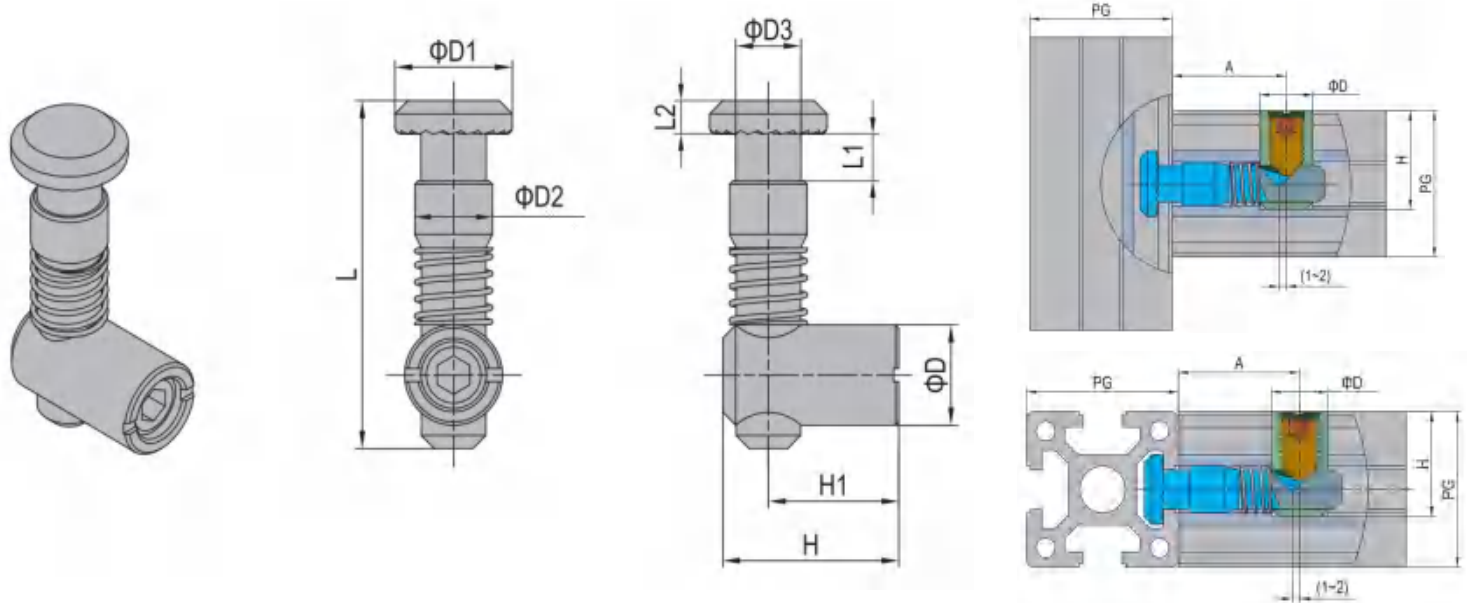
Connecting Elements
连接件

Anchor Connector
锚式连接销

Material: zinc plated steel
材质: 碳钢镀锌



Universal
万向型



Description 产品描述	A	D	H	H1	L1	L2	D1	D2	D3	L	Mass 重量 (g/unit)	Code No. 产品编号
AP30-Universal 30系列-万向型	30	12	21	15	7	4	14	9.9	8	45	38	ACU-30
AP40-Universal 40系列-万向型	32	15	27	20	7	5	18	11.9	10	52	58	ACU-40
AP45-Universal 45系列-万向型	30	15	29.5	22.5	7	5	18	11.9	10	52	60	ACU-45

Connecting Elements
连接件

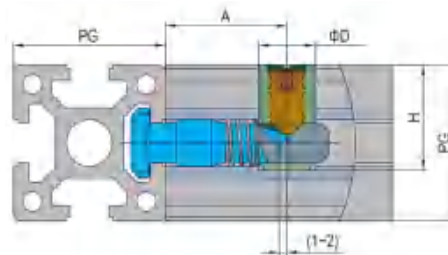
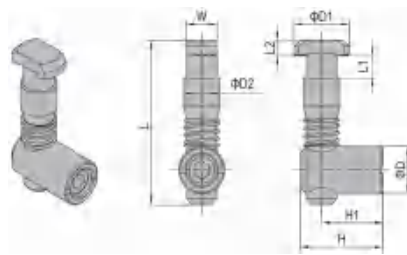
Anchor Connector
锚式连接销



Material: zinc plated steel
材质: 碳钢镀锌

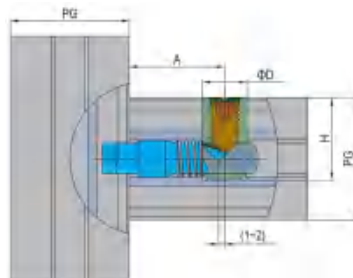
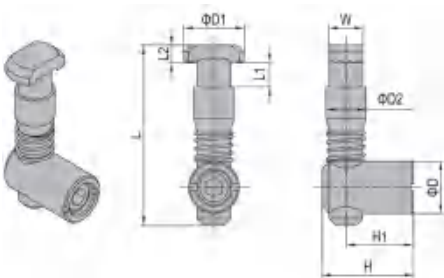


Standard (Model A)
标准型 (A)



Description 产品描述	A	D	H	H1	L1	L2	D1	D2	W	L	Mass 重量 (g/unit)	Code No. 产品编号
AP30-Standard (Model A) 30系列-标准型 (A)	30	12	21	15	7	4	14	9.9	8	45	38	ACS-30A
AP40-Standard (Model A) 40系列-标准型 (A)	32	15	27	20	7	5	18	11.9	10	52	58	ACS-40A
AP45-Standard (Model A) 45系列-标准型 (A)	30	15	29.5	22.5	7	5	18	11.9	10	52	60	ACS-45A

Standard (Model B)
标准型 (B)



Description 产品描述	A	D	H	H1	L1	L2	D1	D2	W	L	Mass 重 (g/unit)	Code No. 产品编号
AP30-Standard (Model B) 30系列-标准型 (B)	30	12	21	15	7	4	14	9.9	8	45	38	ACS-30B
AP40-Standard (Model B) 40系列-标准型 (B)	32	15	27	20	7	5	18	11.9	10	52	58	ACS-40B
AP45-Standard (Model B) 45系列-标准型 (B)	30	15	29.5	22.5	7	5	18	11.9	10	52	60	ACS-45B

Connecting Elements
连接件

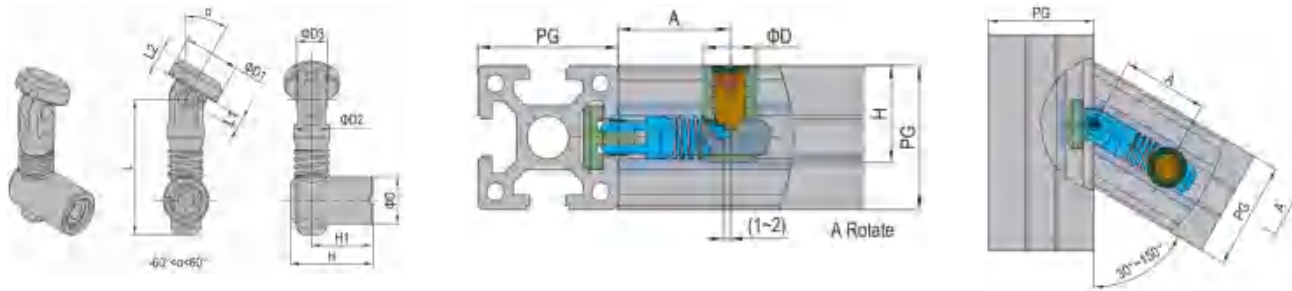
Anchor Connector
锚式连接销



Material: zinc plated steel
材质: 碳钢镀锌

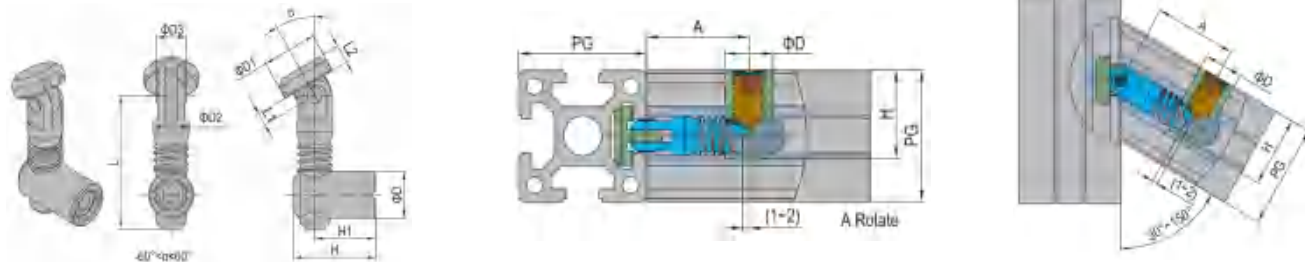


Oblique (Model A)
转角型 (A)



Description 产品描述	A	D	H	H1	L1	L2	D1	D2	D3	L	Mass 重 (g/unit)	Code No. 产品编号
AP30-Standard (Model A) 30系列-标准型 (A)	30	12	21	15	2	5	14	9.9	8	39	55	ACO-30A
AP40-Standard (Model A) 40系列-标准型 (A)	32	15	27	20	4	6	18	11.9	10	43	72	ACO-40A
AP45-Standard (Model A) 45系列-标准型 (A)	30	15	29.5	22.5	6	5	18	11.9	10	43	78	ACO-45A

Oblique (Model B)
转角型 (B)



Description 产品描述	A	D	H	H1	L1	L2	D1	D2	D3	L	Mass 重 (g/unit)	Code No. 产品编号
AP30-Standard (Model B) 30系列-标准型 (B)	30	12	21	15	2	5	14	9.9	8	39	55	ACO-30B
AP40-Standard (Model B) 40系列-标准型 (B)	32	15	27	20	4	6	18	11.9	10	43	72	ACO-40B
AP45-Standard (Model B) 45系列-标准型 (B)	32	15	29.5	22.5	6	5	18	11.9	10	43	78	ACO-45B

Connecting Elements
连接件

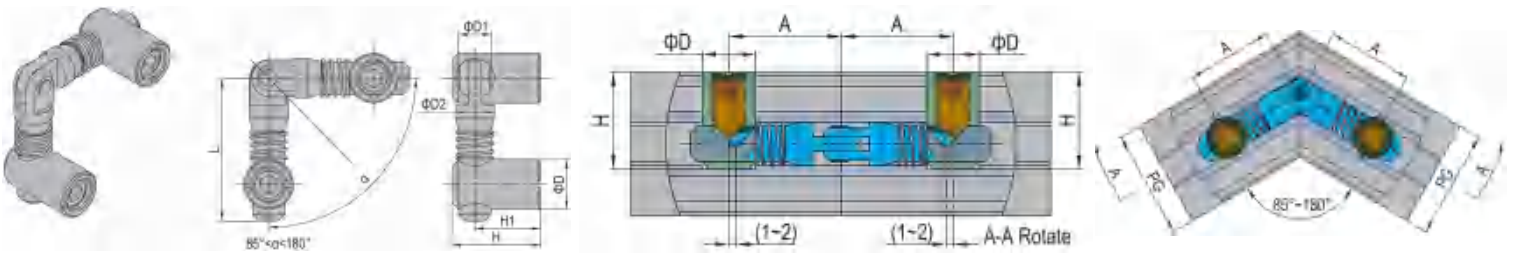
Anchor Connector
锚式连接销



Material: zinc plated steel
材质: 碳钢镀锌

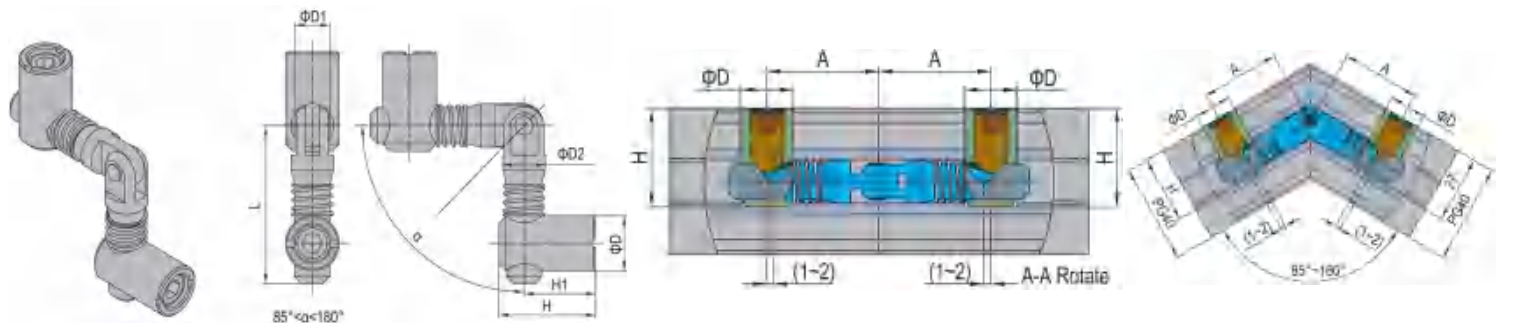


Miter (Model A)
对接型 (A)



Description 产品描述	A	D	H	H1	D1	D2	L	Mass 重量 (g/unit)	Code No. 产品编号
AP30-Miter (Model A) 30系列-对接型 (A)	30	12	21	15	8	9.9	38.8	63	ACM-30A
AP40-Miter (Model A) 40系列-对接型 (A)	32	15	27	20	10	11.9	43	97	ACM-40A
AP45-Miter (Model A) 45系列-对接型 (A)	32	15	29.5	22.5	10	11.9	43	100	ACM-45A

Miter (Model B)
对接型 (B)



Description 产品描述	A	D	H	H1	D1	D2	L	Mass 重量 (g/unit)	Code No. 产品编号
AP30-Miter (Model B) 30系列-对接型 (B)	30	12	21	15	8	9.9	38.8	63	ACM-30B
AP40-Miter (Model B) 40系列-对接型 (B)	32	15	27	20	10	11.9	43	97	ACM-40B
AP45-Miter (Model B) 45系列-对接型 (B)	32	15	29.5	22.5	10	11.9	43	100	ACM-45B

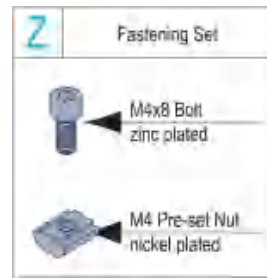
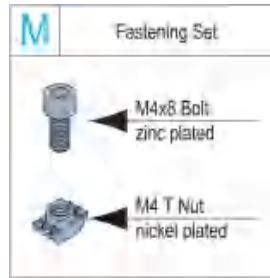
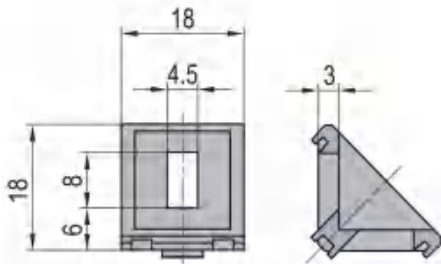
Connecting Elements
连接件

Die Cast Bracket
压铸角铝

Material: diecast aluminum
材质: 压铸铝合金

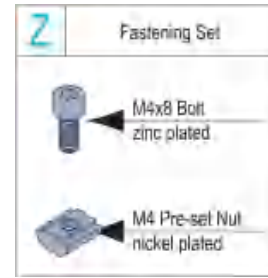
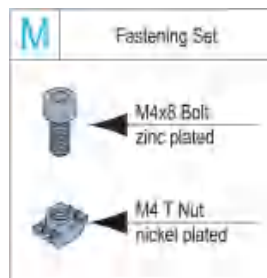
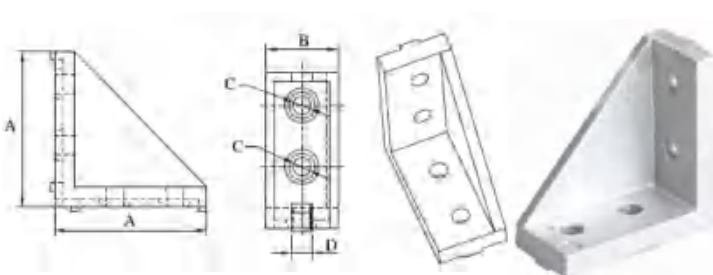


AP20-20x20
20系列-20x20



Description 产品描述	Fastening Set 紧固组件	Mass 重量(g)	Part No. 产品编号
AP20-20x20 (pcs) 20系列-20x20 (单个供货)		5	DCB20-2020-PCS
AP20-20x20 (set M) 20系列-20x20 (成套供货M)	2xM	12	DCB20-2020-STM
AP20-20x20 (set Z) 20系列-20x20 (成套供货Z)	2xZ		DCB20-2020-STZ

AP20-20x40
20系列-20x40

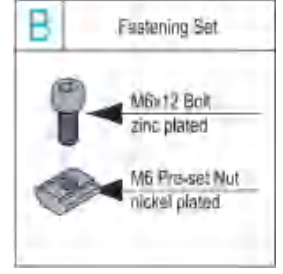
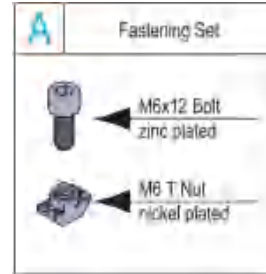


Description 产品描述	A	B	C	D	Fastening Set 紧固组件	Mass 重量(g)	Part No. 产品编号
AP20-20x40 (pcs) 20系列-20x40 (单个供货)						16	DCB20-2040-PC
AP20-20x40 (set M) 20系列-20x40 (成套供货M)	38	18	Φ4.5	5	4xM	20	DCB20-2040-STM
AP20-20x40 (set Z) 20系列-20x40 (成套供货Z)					4xZ	20	DCB20-2040-STZ

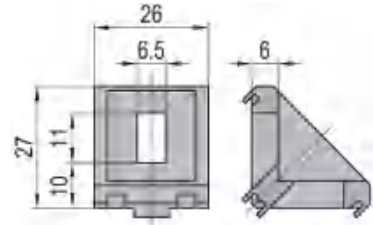
Connecting Elements
连接件

Die Cast Bracket
压铸角铝

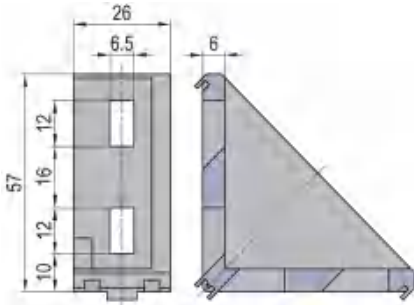
Material: diecast aluminum
材质: 压铸铝合金



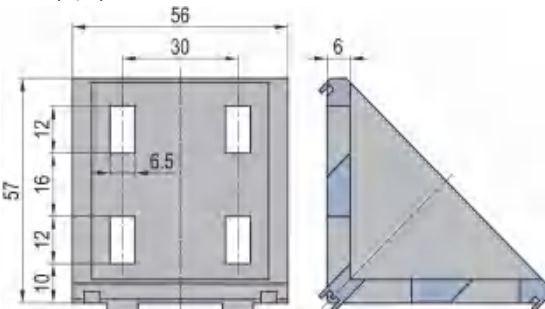
AP30-30x30
30系列-30x30



AP30-30x60
30系列-30x60



AP30-60x60
30系列-60x60



Description 产品描述	Fastening Set 紧固组件	Mass 重量(g)	Code No. 产品编号
AP30-30x30 (pcs) 30系列-30x30 (单个供货)		21	DCB30-3030-PCS
AP30-30x30 (set A) 30系列-30x30 (成套供货A)	2xA	42	DCB30-3030-STA
AP30-30x30 (set B) 30系列-30x30 (成套供货B)	2xB	48	DCB30-3030-STB
AP30-30x60 (pcs) 30系列-30x60 (单个供货)		53	DCB30-3060-PCS
AP30-30x60 (set A) 30系列-30x60 (成套供货A)	4xA	93	DCB30-3060-STA
AP30-30x60 (set B) 30系列-30x60 (成套供货B)	4xB	105	DCB30-3060-STB
AP30-60x60 (pcs) 30系列-60x60 (单个供货)		120	DCB30-6060-PCS
AP30-60x60 (set A) 30系列-60x60 (成套供货A)	8xA	200	DCB30-6060-STA
AP30-60x60 (set B) 30系列-60x60 (成套供货B)	8xB	224	DCB30-6060-STB

Connecting Elements
连接件

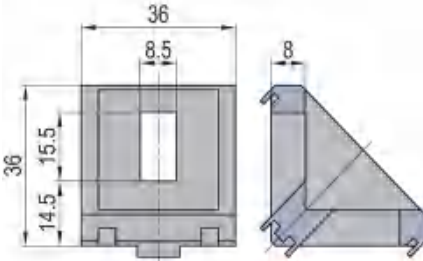
Die Cast Bracket
压铸角铝

Material: diecast aluminum
材质: 压铸铝合金

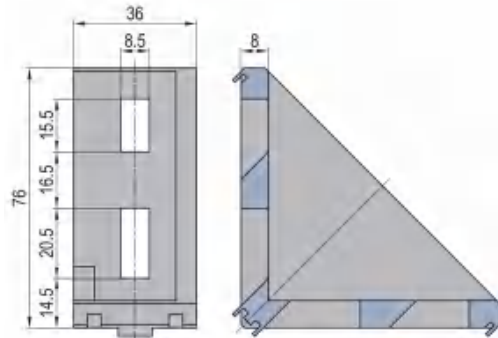


C	Fastening Set	D	Fastening Set	E	Fastening Set
	M8 Flange Nut zinc plated		M8x16 Bolt zinc plated		M8x16 Bolt zinc plated
	M8x16 T Bolt nickel plated		M8 T Nut nickel plated		M8 Pre-set Nut nickel plated

AP40-40x40
40系列-40x40



AP40-40x80
40系列-40x80



Description 产品描述	Fastening Set 紧固组件	Mass 重量(g)	Code No. 产品编号
AP40-40x40 (pcs) 40系列-40x40 (单个供货)		50	DCB40-4040-08-PCS
AP40-40x40 (set C) 40系列-40x40 (成套供货C)	2xC	92	DCB40-4040-08-STC
AP40-40x40 (set D) 40系列-40x40 (成套供货D)	2xD	92	DCB40-4040-08-STD
AP40-40x40 (set E) 40系列-40x40 (成套供货E)	2xE	106	DCB40-4040-08-STE
AP40-40x80 (pcs) 40系列-40x80 (单个供货)		125	DCB40-4080-08-PCS
AP40-40x80 (set C) 40系列-40x80 (成套供货C)	4xC	210	DCB40-4080-08-STC

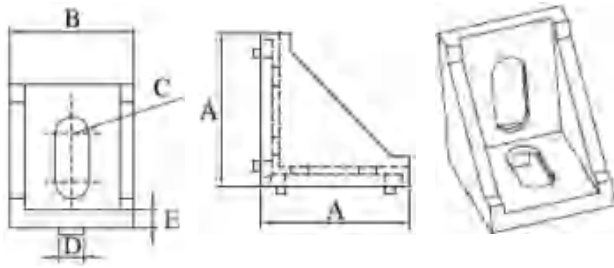
Connecting Elements
连接件

Die Cast Bracket
压铸角铝

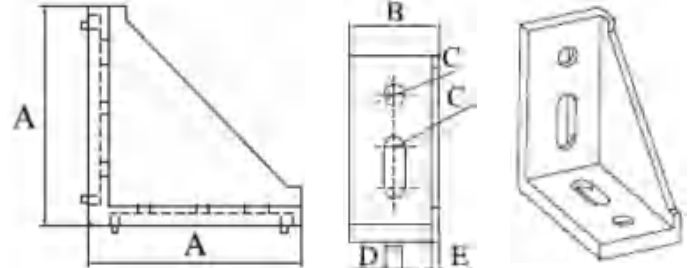
Material: diecast aluminum
材质: 压铸铝合金



AP40-40x40
40系列-40x40



AP40-40x80
40系列-40x80

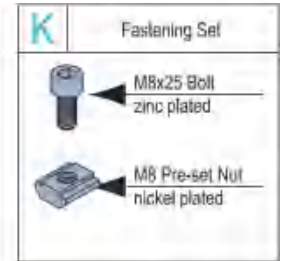
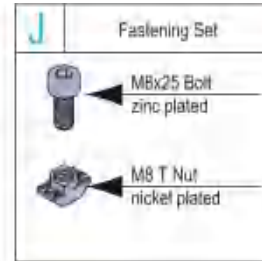
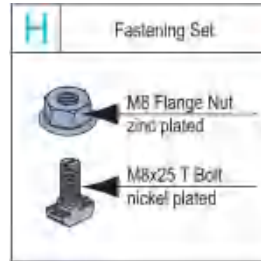


Description 产品描述	A	B	C	D	E	Fastening Set 紧固组件	Mass 重量(g)	Code No. 产品编号
AP40-40x40 (pcs) 40系列-40x40 (单个供货)	40	35	9.4	8	5		50	DCB40-4040-10-PCS
AP40-40x40 (set C) 40系列-40x40 (成套供货C)	40	35	9.4	8	5	2xC	92	DCB40-4040-10-STC
AP40-40x40 (set D) 40系列-40x40 (成套供货D)	40	35	9.4	8	5	2xD	92	DCB40-4040-10-STD
AP40-40x40 (set E) 40系列-40x40 (成套供货E)	40	35	9.4	8	5	2xE	106	DCB40-4040-10-STE
AP40-40x80 (pcs) 40系列-40x80 (单个供货)	78	40	8.5	8	3.5		125	DCB40-4080-10-PCS
AP40-40x80 (set C) 40系列-40x80 (成套供货C)	78	40	8.5	8	3.5	4xC	210	DCB40-4080-10-STC

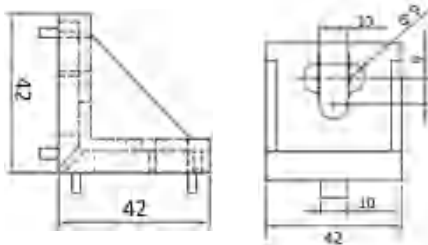
Connecting Elements
连接件

Die Cast Bracket
压铸角铝

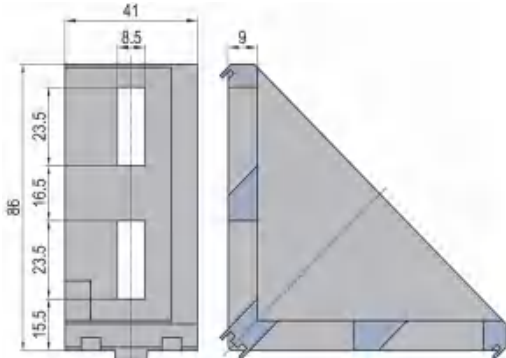
Material: diecast aluminum
材质: 压铸铝合金



AP45-45x45
45系列-45x45



AP45-45x90
45系列-45x90



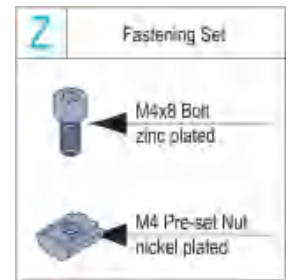
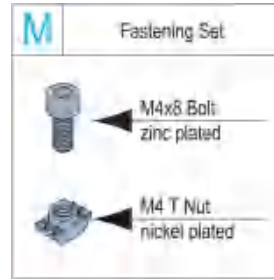
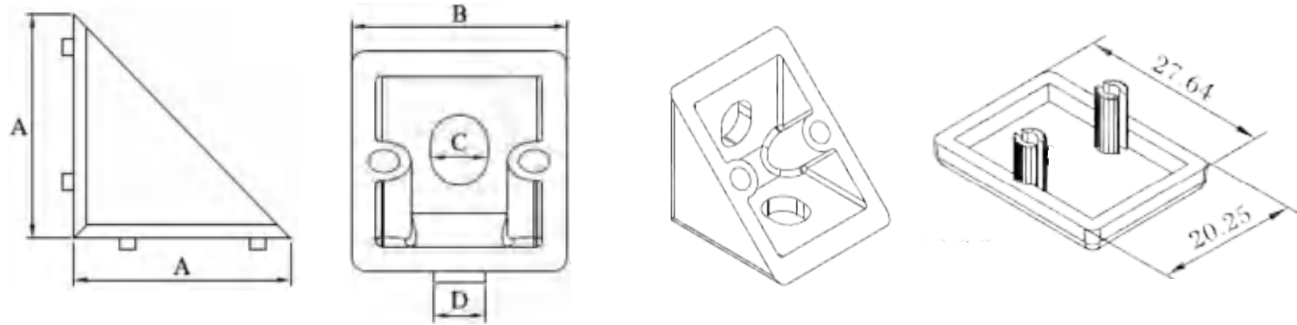
Description 产品描述	Fastening Set 紧固组件	Mass 重量(g)	Code No. 产品编号
AP45-45x45 (pcs) 45系列-45x45 (单个供货)		72	DCB45-4545-PC
AP45-45x45 (set H) 45系列-45x45 (成套供货H)	2xH	118	DCB45-4545-STH
AP45-45x45 (set J) 45系列-45x45 (成套供货J)	2xJ	122	DCB45-4545-STJ
AP45-45x45 (set K) 45系列-45x45 (成套供货K)	2xK	134	DCB45-4545-STK
AP45-45x90 (pcs) 45系列-45x90 (单个供货)		190	DCB45-4590-PC
AP45-45x90 (set H) 45系列-45x90 (成套供货H)	4xH	282	DCB45-4590-STH
AP45-45x90 (set J) 45系列-45x90 (成套供货J)	4xJ	290	DCB45-4590-STJ
AP45-45x90 (set K) 45系列-45x90 (成套供货K)	4xK	314	DCB45-4590-STK

Connecting Elements
连接件

Die Cast Bracket with Cap
带盖压铸角铝

Material: diecast aluminum & plastic
材质: 压铸铝合金及塑胶

AP20Cap-20x20
20系列-20x20 带封盖

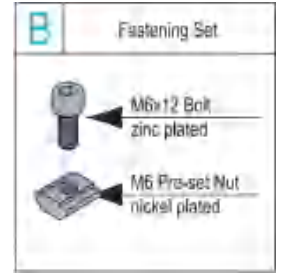
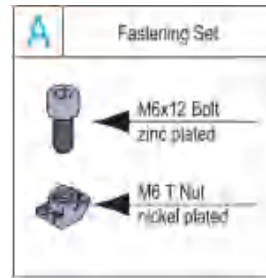


Description 产品描述	A	B	C	D	Fastening Set 紧固组件	Mass 重量(g)	Part No. 产品编号
AP20Cap-20x20(pcs) 20系列带盖-20x20(单个供货)	20	20	5.3	5		5.9	DCB-CAP20-2020-PCS
AP20CAP-20x20 (set M) 20系列带盖-20x20 (成套供货M)	20	20	5.3	5	2xM	6.2	DCB-CAP20-2020-STM
AP20-20x20 (set Z) 20系列-20x20 (成套供货Z)	20	20	5.3	5	2xZ	6.3	DCB-CAP20-2020-STZ

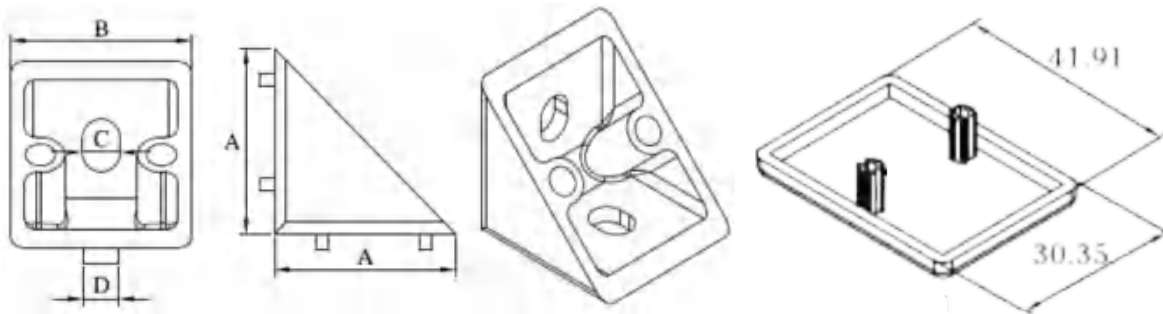
Connecting Elements
连接件

Die Cast Bracket with Cap
带盖压铸角铝

Material: diecast aluminum & plastic
材质: 压铸铝合金及塑胶

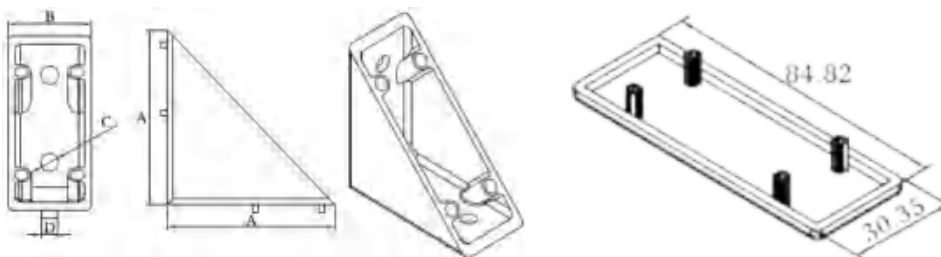


AP30Cap-30x30
30系列-30x30 带封盖



Description 产品描述	A	B	C	D	Fastening Set 紧固组件	Mass 重量(g)	Part No. 产品编号
AP30Cap-30x30(pcs) 30系列带盖-30x30 (单个供应)	30	30	6.3	8		19	DCB-CAP30-3030-PCS
AP30Cap-30x30 (set A) 30系列带盖-30x31 (成套供应A)	30	30	6.3	8	2xA	20.1	DCB-CAP30-3030-STA
AP30Cap-30x30 (set B) 30系列带盖-30x31(成套供应B)	30	30	6.3	8	2xB	20.2	DCB-CAP30-3030-STB

AP30Cap-30x60
30系列-30x60 带封盖



Description 产品描述	A	B	C	D	Fastening Set 紧固组件	Mass 重量(g)	Part No. 产品编号
AP30Cap-30x60 (pcs) 30系列带盖-30x60 (单个供应)	30	30	6.3	8		50	DCB-CAP30-3060-PCS
AP30Cap-30x60 (set A) 30系列带盖-30x60 (成套供应A)	30	30	6.3	8	4xA	50.2	DCB-CAP30-3060-STA
AP30Cap-30x60 (set B) 30系列带盖-30x60(成套供应B)	30	30	6.3	8	4xB	50.3	DCB-CAP30-3060-STB

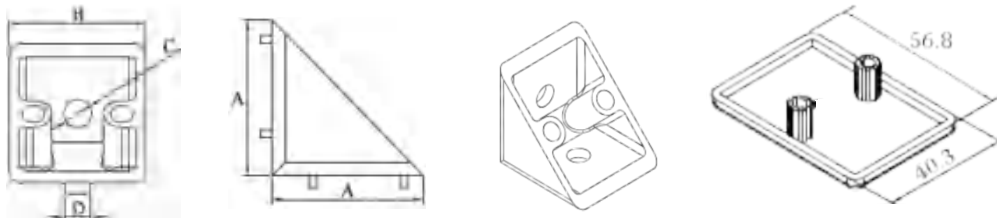
Connecting Elements
连接件

Die Cast Bracket with Cap
带盖压铸角铝

Material: diecast aluminum & plastic
材质: 压铸铝合金及塑胶

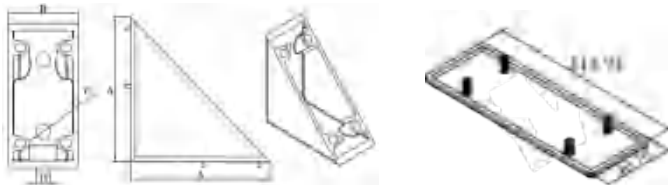


AP40Cap-40x40
40系列-40x40 带封盖



Description 产品描述	A	B	C	D	Fastening Set 紧固组件	Mass 重量(g)	Part No. 产品编号
AP40Cap-40x40-slot8-pcs 40系列带盖-40x40槽8 (单个供应)	40	40	8.3	8		41	DCB-CAP40-4040-08-PCS
AP40Cap-40x40-slot8 (set C) 40系列带盖-40x40槽8(成套供应C)	40	40	8.3	8	2xC	41.2	DCB-CAP40-4040-08-STC
AP40Cap-40x40-slot8 (set D) 40系列带盖-40x40槽8(成套供应D)	40	40	8.3	8	2xD	41.3	DCB-CAP40-4040-08-STD
AP40Cap-40x40-slot8 (set E) 40系列带盖-40x40槽8(成套供应E)	40	40	8.3	8	2xE	41.3	DCB-CAP40-4040-08-STE
AP40Cap-40x40-slot10-pcs 40系列带盖-40x40槽10(单个供应)	40	40	8.3	8.5		42	DCB-CAP40-4040-10-PCS
AP40Cap-40x40-slot10 (set C) 40系列带盖-40x40槽10(成套供应C)	40	40	8.3	8.5	2xC	42.2	DCB-CAP40-4040-10-STC
AP40Cap-40x40-slot10 (set D) 40系列带盖-40x40槽10(成套供应D)	40	40	8.3	8.5	2xD	42.3	DCB-CAP40-4040-10-STD
AP40Cap-40x40-slot10 (set E) 40系列带盖-40x40槽10(成套供应E)	40	40	8.3	8.5	2xE	42.3	DCB-CAP40-4040-10-STE

AP40Cap-40x80
40系列-40x80 带封盖

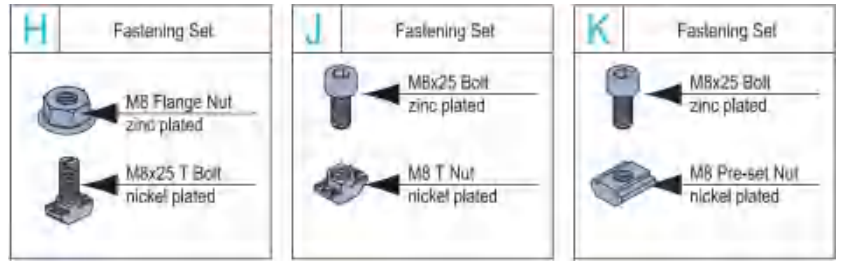


Description 产品描述	A	B	C	D	Fastening Set 紧固组件	Mass 重量(g)	Part No. 产品编号
AP40Cap-40x80-slot8-pcs 40系列带盖-40x80槽8 (单个供应)	80	40	8.3	8		110	DCB-CAP40-4080-08-PCS
AP40Cap-40x80-slot8 (set C) 40系列带盖-40x80槽8(成套供应C)	80	40	8.3	8	4xC	110.2	DCB-CAP40-4080-08-STC
AP40Cap-40x80-slot10 (set D) 40系列带盖-40x80槽10(成套供应D)	80	40	8.3	8.5	4xD	111	DCB-CAP40-4080-10-PCS
AP40Cap-40x80-slot10 (set E) 40系列带盖-40x80槽10(成套供应E)	80	40	8.3	8.5	4xE	111.2	DCB-CAP40-4080-10-STC

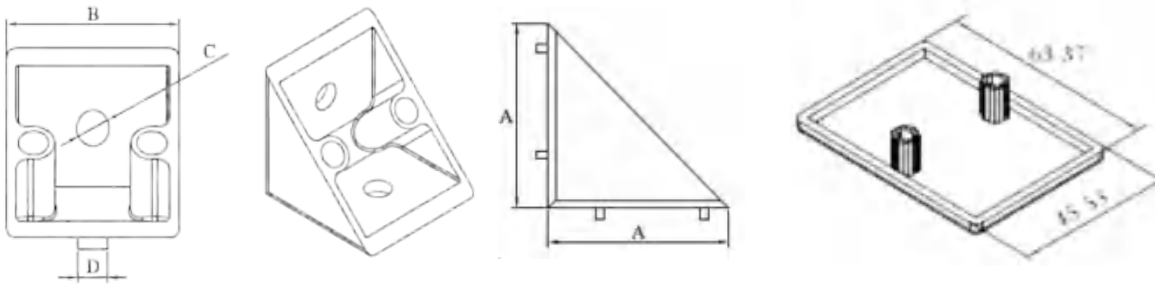
Connecting Elements
连接件

Die Cast Bracket Cap
带盖压铸角铝

Material: diecast aluminum & plastic
材质: 压铸铝合金及塑胶

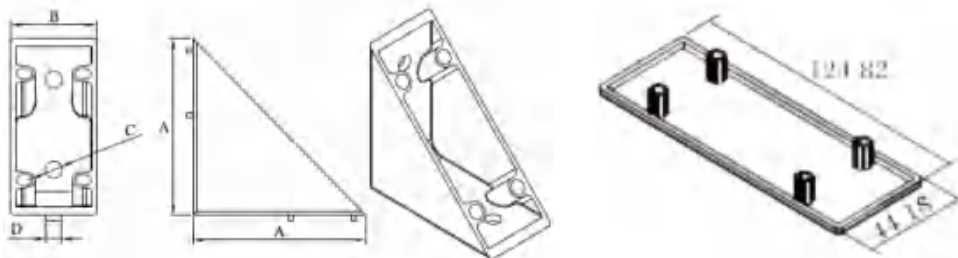


AP45Cap-45x45
45系列-45x45 带封盖



Description 产品描述	A	B	C	D	Mass 重量(g)	Fastening Set 紧固组件	Part No. 产品编号
AP45Cap-45x45-pcs 45系列带盖45x45(单个供应)	45	45	8.3	8.5	55		DCB-CAP45-4545-PCS
AP45Cap-45x45(set H) 45系列带盖45x45(成套供应H)	45	45	8.3	8.5	55.2	2xH	DCB-CAP45-4545-PCS
AP45Cap-45x45(set J) 45系列带盖45x45(成套供应J)	45	45	8.3	8.5	55.2	2xJ	DCB-CAP45-4545-PCS
AP45Cap-45x45(set K) 45系列带盖45x45(成套供应K)	45	45	8.3	8.5	55.2	2xK	DCB-CAP45-4545-PCS

AP45Cap-45x90
45系列-45x90 带封盖

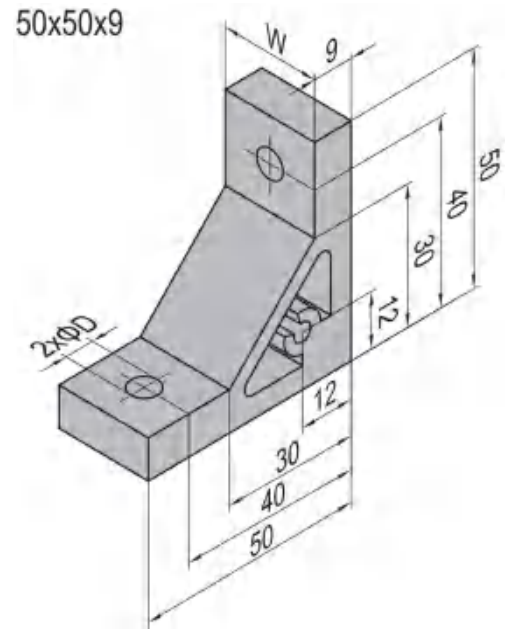


Description 产品描述	A	B	C	D	Mass 重量(g)	Fastening Set 紧固组件	Part No. 产品编号
AP45Cap-45x90-pcs 45系列带盖45x90(单个供应)	88	45	8.3	8	137		DCB-CAP45-4590-PCS
AP45Cap-45x90(set H) 45系列带盖45x90(成套供应H)	88	45	8.3	8	137	4xH	DCB-CAP45-4590-STH
AP45Cap-45x90-(set J) 45系列带盖45x90(成套供应J)	88	45	8.3	8	137	4xJ	DCB-CAP45-4545-STJ
AP45Cap-45x90(set K) 45系列带盖45x90(成套供应K)	88	45	8.3	8	137	4xK	DCB-CAP45-4590-STK






Connecting Elements
连接件

Angle Profile Bracket
挤压角铝

Material: aluminium, anodized (cutting end not anodized)
材质: 铝合金 表面处理: 阳极氧化(切面无处理)



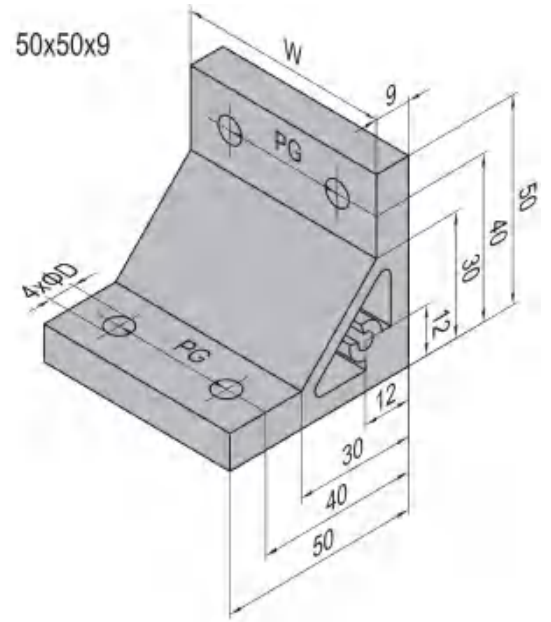
D	Fastening Set	U	Fastening Set	V	Fastening Set
	<ul style="list-style-type: none"> M6x20 Bolt zinc plated M8 Washer zinc plated M8 T Nut nickel plated 		<ul style="list-style-type: none"> M4x14 Bolt zinc plated M4 Washer zinc plated M4 T Nut nickel plated 		<ul style="list-style-type: none"> M6x16 Bolt zinc plated M6 Washer zinc plated M6 T Nut nickel plated

Application 应用	Description 产品描述	D (mm)	W (mm)	Fastening Set 紧固组件	Mass 重量(g)	Code No. 产品编号
AP20 20mm 	50-20-20 (pcs/单个供货)	4.5	14		31	APB50-20-20-PCS
	50-20-20 (set/成套供货)	4.5	14	2xU	43	APB50-20-20-STU
AP30 30mm 	50-30-30 (pcs/单个供货)	6.5	22		48	APB50-30-30-PCS
	50-30-30 (set/成套供货)	6.5	22	2xV	71	APB50-30-30-STV
AP40 40mm 	50-40-40 (pcs/单个供货)	8.5	30		66	APB50-40-40-PCS
	50-40-40 (set/成套供货)	8.5	30	2xD	112	APB50-40-40-STD
AP45 45mm 	50-45-45 (pcs/单个供货)	8.5	35		77	APB50-45-45-PCS
	50-45-45 (set/成套供货)	8.5	35	2xD	123	APB50-45-45-STD
AP60 60mm 	50-60-60 (pcs/单个供货)	8.5	50		110	APB50-60-60-PCS
	50-60-60 (set/成套供货)	8.5	50	2xD	156	APB50-60-60-STD

Connecting Elements
连接件

Angle Profile Bracket
挤压角铝

Material: aluminium, anodized (cutting end not anodized)
材质: 铝合金 表面处理: 阳极氧化(切面无处理)



D	Fastening Set	U	Fastening Set	V	Fastening Set
	M6x20 Bolt zinc plated M8 Washer zinc plated M8 T Nut nickel plated		M4x14 Bolt zinc plated M4 Washer zinc plated M4 T Nut nickel plated		M6x16 Bolt zinc plated M6 Washer zinc plated M6 T Nut nickel plated

Application 应用	Description 产品描述	D (mm)	W (mm)	PG (mm)	Fastening Set 紧固组件	Mass 重量(g)	Code No. 产品编号
AP20 40mm 	50-20-40 (pcs/单个供货)	4.5	34	20		75	AP5B0-20-40-PCS
	50-20-40 (set/成套供货)	4.5	34	20	4xU	95	APB50-20-40-STU
AP30 60mm 	50-30-60 (pcs/单个供货)	6.5	52	30		114	APB50-30-60-PCS
	50-30-60 (set/成套供货)	6.5	52	30	4xV	156	APB50-30-60-STV
AP40 80mm 	50-40-80 (pcs/单个供货)	8.5	70	40		154	APB50-40-80-PCS
	50-40-80 (set/成套供货)	8.5	70	40	4xD	240	APB50-40-80-STD
AP45 90mm 	50-45-90 (pcs/单个供货)	8.5	80	45		176	APB50-45-90-PCS
	50-45-90 (set/成套供货)	8.5	80	45	4xD	262	APB50-45-90-STD

Connecting Elements
连接件

Metal Connector Bracket
冲压铁制连接件

Material: nickel plated steel
材质: 碳钢镀镍

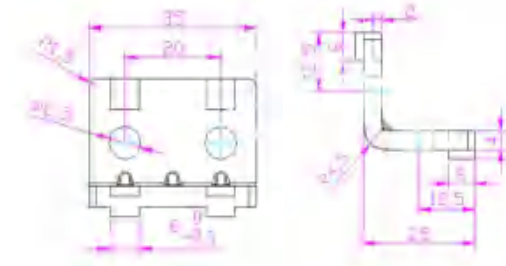


AP2020-06
20系列2020 槽6



A	B	M	Z
Fastening Set	Fastening Set	Fastening Set	Fastening Set
M5x12 Bolt zinc plated	M5x12 Bolt zinc plated	M4x8 Bolt zinc plated	M4x8 Bolt zinc plated
M6 Washer zinc plated	M6 Washer zinc plated	M4 T Nut nickel plated	M4 Pre-set Nut nickel plated
M6 T Nut nickel plated	M6 Pre-set Nut nickel plated		

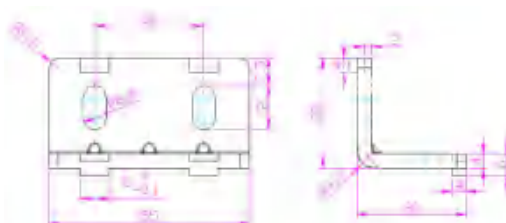
AP2040-06
20系列2040 槽6



AP3030-08
30系列3030 槽8



AP3060-08
30系列3060 槽8



Description 产品描述	Fastening Set 紧固组件	Mass 重量(g)	Code No. 产品编号
AP20-20x20 (pcs) 20系列-20x20 (单个供货)		6	MCB20-2020-PCS
AP20-20x20 (set M) 20系列-20x20 (成套供货M)	2xM	13	MCB20-2020-STM
AP20-20x20 (set Z) 20系列-20x20 (成套供货Z)	2xZ	13	MCB20-2020-STZ
AP20-20x40 (pcs) 20系列-20x40 (单个供货)		18	MCB20-2040-PCS
AP20-20x40 (set M) 20系列-20x40 (成套供货M)	4xM	22	MCB20-2040-STM
AP20-20x40 (set Z) 20系列-20x40 (成套供货Z)	4xZ	22	MCB20-2040-STZ
AP30-30x30 (pcs) 30系列-30x30 (单个供货)		21	MCB30-3030-PCS
AP30-30x30 (set A) 30系列-30x30 (成套供货A)	2xA	43	MCB30-3030-STA
AP30-30x30 (set B) 30系列-30x30 (成套供货B)	2xB	49	MCB30-3030-STB
AP30-30x60 (pcs) 30系列-30x60 (单个供货)		54	MCB30-3060-PCS
AP30-30x60 (set A) 30系列-30x60 (成套供货A)	4xA	94	MCB30-3060-STA
AP30-30x60 (set B) 30系列-30x60 (成套供货B)	4xB	106	MCB30-3060-STB

Connecting Elements
连接件

Metal Connector Bracket
冲压铁制连接件

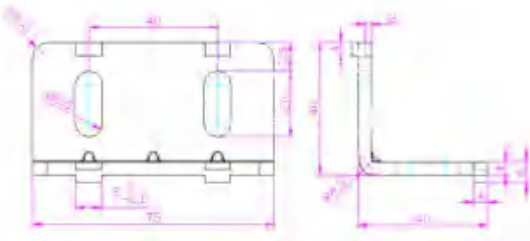
Material: nickel plated steel
材质: 碳钢镀镍



AP4040-08
40系列4040 槽8/10



AP4080-08/10
40系列4080 槽8/10

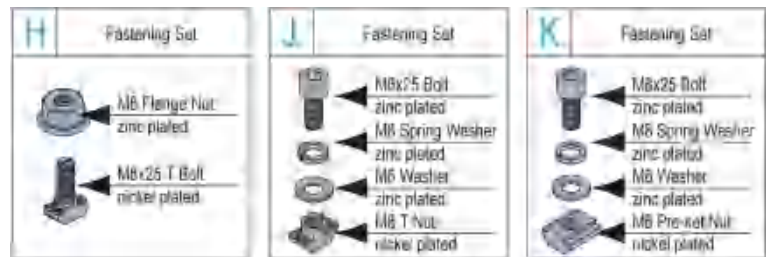


Description 产品描述	Fastening Set 紧固组件	Mass 重量(g)	Code No. 产品编号
AP40-40x40-08 (pcs) 40系列-40x40 槽8 (单个供货)		9	MCB40-4040-08-PCS
AP40-40x40-08 (set C) 40系列40x40槽8 (成套供货C)	2xC	15	MCB40-4040-08-STC
AP40-40x40-08 (set D) 40系列40x40槽8 (成套供货D)	2xD	15	MCB40-4040-08-STD
AP40-40x40-08 (set E) 40系列-40x40槽8(成套供货E)	2xE	20	MCB40-4040-08-STE
AP40-40x40-10 (pcs) 40系列-40x40槽10(单个供货)		9	MCB40-4040-10-PCS
AP40-40x40-10(set C) 40系列-40x40 (成套供货C)	2xC	15	MCB40-4040-10-STC
AP40-40x40-10(set D) 40系列-40x40 (成套供货D)	2xD	15	MCB40-4040-10-STD
AP40-40x40-10(set E) 40系列40x40槽10(成套供货E)	2xE	20	MCB40-4040-10-STE
AP40-40x80-08 (pcs) 40系列-40x40 (单个供货)		12	MCB40-4080-08-PCS
AP40-40x80-08 (set C) 40系列-40x40 (成套供货C)	4xC	20	MCB40-4080-08-STC
AP40-40x80-08 (set D) 40系列-40x40 (成套供货D)	4xD	22	MCB40-4080-08-STD
AP40-40x80-08 (set E) 40系列-40x40 (成套供货E)	4xE	30	MCB40-4080-08-STE
AP40-40x80-10 (pcs) 40系列-40x40 (单个供货)		50	MCB40-4080-10-PCS
AP40-40x80-10 (set C) 40系列-40x40 (成套供货C)	4xC	62	MCB40-4080-10-STC
AP40-40x80-10 (set D) 40系列-40x40 (成套供货D)	4xD	62	MCB40-4080-10-STD
AP40-40x80-10 (set E) 40系列-40x40 (成套供货E)	4xE	80	MCB40-4080-10-STE

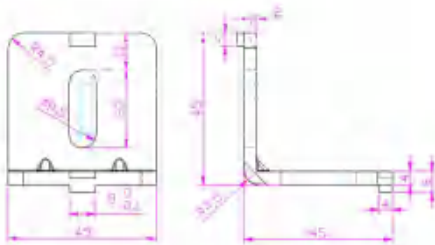
Connecting Elements
连接件

Metal Connector Bracket
冲压铁制连接件

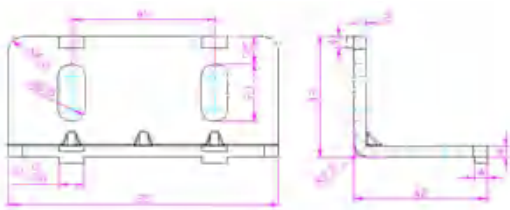
Material: nickel plated steel
材质: 碳钢镀镍



AP4545-10
45系列45x45 槽10



AP4590-10
45系列45x90 槽10



Description 产品描述	Fastening Set 紧固组件	Mass 重量(g)	Code No. 产品编号
AP45-45x45 (pcs) 45系列-45x45 (单个供货)		11	MCB45-4545-PCS
AP45-45x45 (set H) 45系列-45x45 (成套供货H)	2xH	18	MCB45-4545-STH
AP45-45x45 (set J) 45系列-45x45 (成套供货J)	2xJ	18	MCB45-4545-STJ
AP45-45x45 (set K) 45系列-45x45 (成套供货K)	2xK	22	MCB45-4545-STK
AP45-45x90 (pcs) 45系列-45x90 (单个供货)		25	MCB45-4590-PCS
AP45-45x90 (set H) 45系列-40x40 (成套供货H)	4xH	33	MCB45-4590-STH
AP45-45x90 (set J) 40系列-40x40 (成套供货J)	4xJ	33	MCB45-4590-STJ
AP45-45x90 (set K) 40系列-40x40 (成套供货K)	4xK	51	MCB45-4590-STK

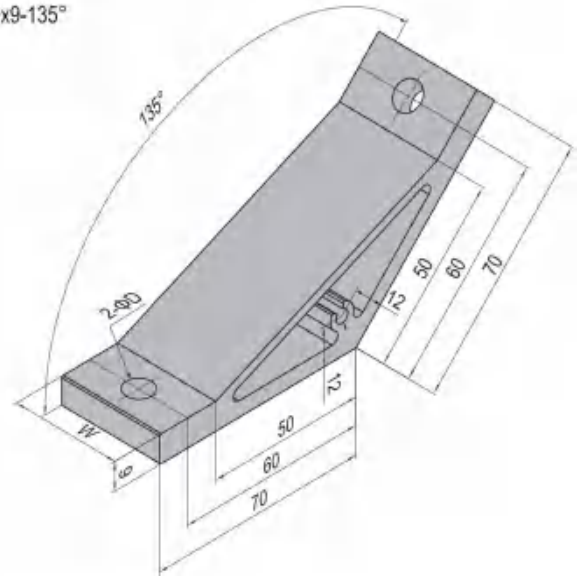
Connecting Elements
连接件

Angle Profile Bracket
挤压角铝



Material: aluminium, anodized (cutting end not anodized)
材质: 铝合金 表面处理: 阳极氧化(切面无处理)

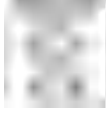
70x70x9-135°



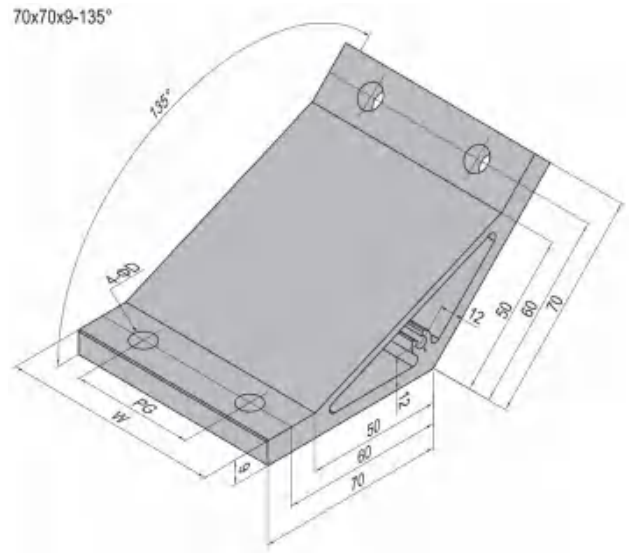
Application 应用	Description 产品描述	D (mm)	W (mm)	Fastening Set 紧固组件	Mass 重量(g)	Code No. 产品编号
AP30 30mm 	70-30-30 (pcs/单个供货)	7.0	22		71	APB70-30-30-PCS
	70-30-30 (set/成套供货)	7	22	2xV	94	APG70-30-30-STV
AP40 40mm 	70-40-40 (pcs/单个供货)	9.0	30		96	APG70-40-40-PCS
	70-40-40 (set/成套供货)	9	30	2xD	142	APG70-40-40-STD
AP45 45mm 	70-45-45 (pcs/单个供货)	9.0	35		113	APG70-45-45-PCS
	70-45-45 (set/成套供货)	9	35	2xD	159	APG70-45-45-STD
AP60 60mm 	70-60-60 (pcs/单个供货)	9.0	50		166	APG70-60-60-PCS
	70-60-60 (set/成套供货)	9.0	50	2xD	212	APG70-60-60-STD




Connecting Elements
连接件

Angle Profile Bracket
挤压角铝



Material: aluminium, anodized (cutting end not anodized)
材质: 铝合金 表面处理: 阳极氧化(切面无处理)



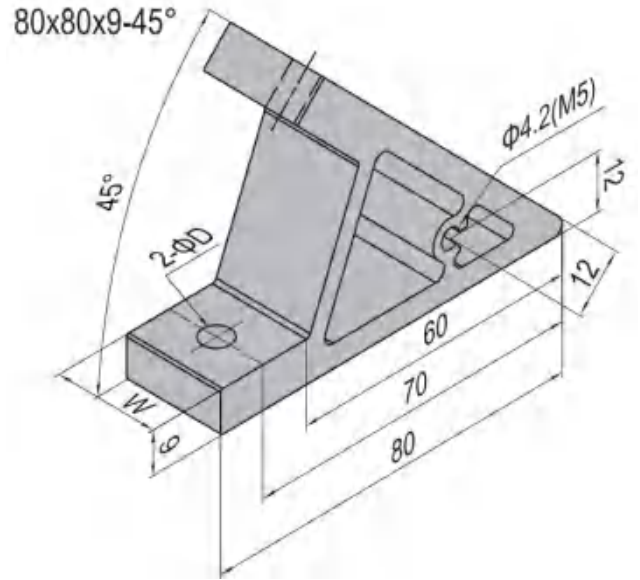
Application 应用	Description 产品描述	D (mm)	W (mm)	Fastening Set 紧固组件	Mass 重量(g)	Code No. 产品编号
AP30 60mm 	70-30-60 (pcs/单个供货)	7.0	52		171	APB70-30-60-PCS
	70-30-60 (set/成套供货)	7	52	4xV	213	APG70-30-60-STV
AP40 80mm 	70-40-80 (pcs/单个供货)	9.0	70		227	APG70-40-80-PCS
	70-40-80 (set/成套供货)	9	70	4xD	313	APG70-40-80-STD
AP45 90mm 	70-45-90 (pcs/单个供货)	9.0	80		262	APG70-45-90-PCS
	70-45-90 (set/成套供货)	9	80	4xD	348	APG70-45-90-STD

Connecting Elements
连接件

Angle Profile Bracket
挤压角铝



Material: aluminium, anodized (cutting end not anodized)
材质: 铝合金 表面处理: 阳极氧化(切面无处理)



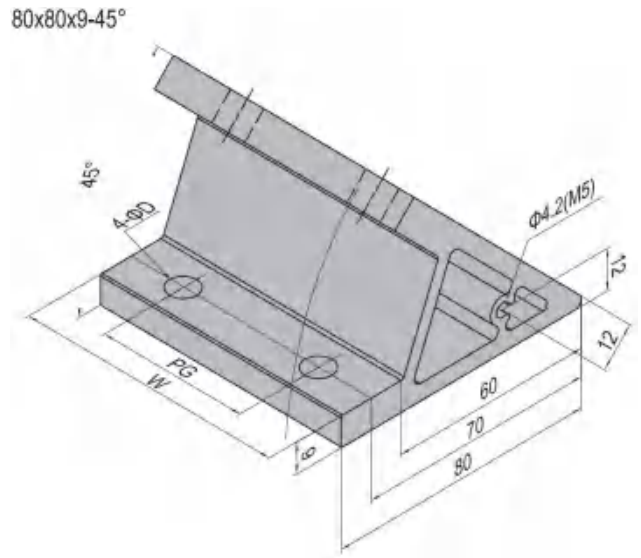
Application 应用	Description 产品描述	D (mm)	W (mm)	Fastening Set 紧固组件	Mass 重量(g)	Code No. 产品编号
AP30 30mm 	80-30-30 (pcs/单个供货)	7.0	22		68	APB80-30-30-PCS
	80-30-30 (set/成套供货)	7	22	2xV	91	APB80-30-30-STV
AP40 40mm 	80-40-40 (pcs/单个供货)	9.0	30		89	APB80-40-40-PCS
	80-40-40 (pcs/单个供货)	9	30	2xD	135	APB80-40-40-STD
AP45 45mm 	80-45-45 (pcs/单个供货)	9.0	35		105	APB80-45-45-PCS
	80-45-45 (set/成套供货)	9	35	2xD	151	APB80-45-45-STD
AP60 60mm 	80-60-60 (pcs/单个供货)	9.0	50		151	APB80-60-60-PCS
	80-60-60 (set/成套供货)	9	50	2xD	197	APB80-60-60-STD

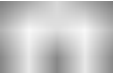


Connecting Elements
连接件

Angle Profile Bracket
挤压角铝



Material: aluminium, anodized (cutting end not anodized)
材质: 铝合金 表面处理: 阳极氧化(切面无处理)



Application 应用	Description 产品描述	D (mm)	W (mm)	Fastening Set 紧固组件	Mass 重量(g)	Code No. 产品编号
AP30 60mm 	80-30-60 (pcs/单个供货)	7.0	52		156	APB80-30-60-PCS
	80-30-60 (set/成套供货)	7	52	4xV	198	APG80-30-60-STV
AP40 80mm 	80-40-80 (pcs/单个供货)	9.0	70		209	APG80-40-80-PCS
	80-40-80 (pcs/单个供货)	9	70	4xD	295	APG80-40-80-STD
AP45 90mm 	80-45-90 (pcs/单个供货)	9.0	80		240	APG80-45-90-PCS
	80-45-90 (set/成套供货)	9	80	4xD	326	APG80-45-90-STD

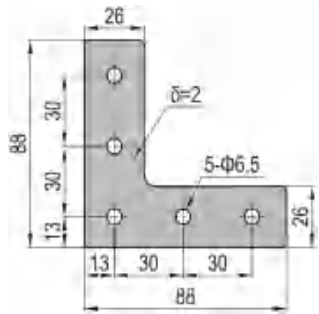
Connecting Elements
连接件

Joining Plate
连接板

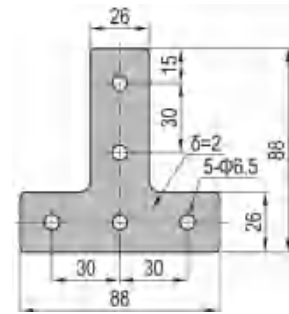
Material: zinc plated steel
材质: 碳钢镀锌



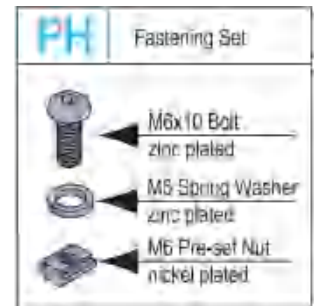
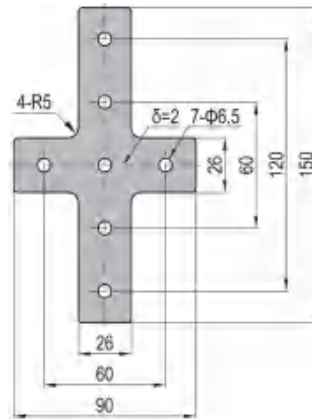
AP30-3030-01
30系列-3030-01



AP30-3030-02
30系列-3030-02



AP30-3030-03
30系列-3030-03



Description 产品描述	Fastening Set 紧固组件	重量 (g)	Code No. 产品编号
AP30-3030-01 (pcs) 30系列-3030-01 (单个供货)		58	JP30-3030-01-PCS
AP30-3030-01 (set PG) 30系列-3030-01 (成套供货PG)	5xPG	92	JP30-3030-01-STPG
AP30-3030-01 (set PH) 30系列-3030-01 (成套供货PH)	5xPH	112	JP30-3030-01-STPH
AP30-3030-02 (pcs) 30系列-3030-02 (单个供货)		58	JP30-3030-02-PCS
AP30-3030-02 (set PG) 30系列-3030-02 (成套供货PG)	5xPG	92	JP30-3030-02-STPG
AP30-3030-02 (set PH) 30系列-3030-02 (成套供货PH)	5xPH	112	JP30-3030-02-STPH
AP30-3030-03 (pcs) 30系列-3030-03 (单个供货)		83	JP30-3030-03-PCS
AP30-3030-03 (set PG) 30系列-3030-03 (成套供货PG)	7xPG	130	JP30-3030-03-STPG
AP30-3030-03 (set PH) 30系列-3030-03 (成套供货PH)	7xPH	158	JP30-3030-03-STPG

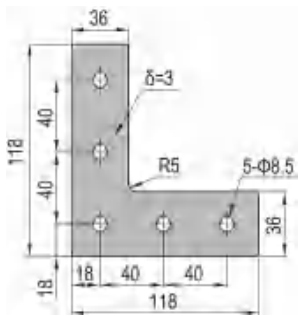
Connecting Elements
连接件

Joining Plate
连接板

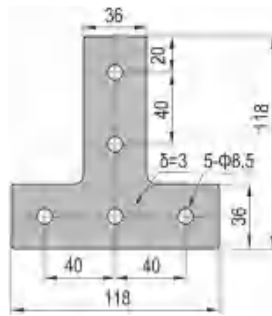
Material: zinc plated steel
材质: 碳钢镀锌



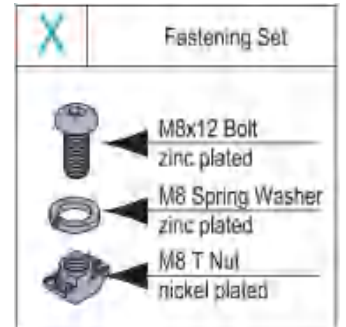
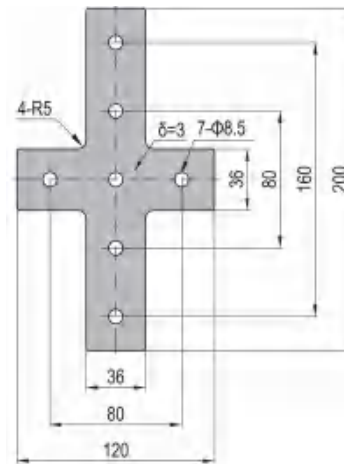
AP40-4040-01
40系列-4040-01



AP40-4040-02
40系列-4040-02



AP40-4040-03
40系列-4040-03

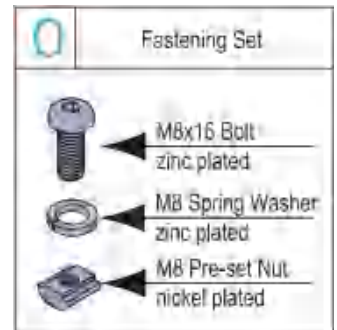
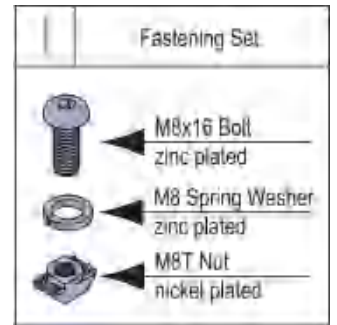
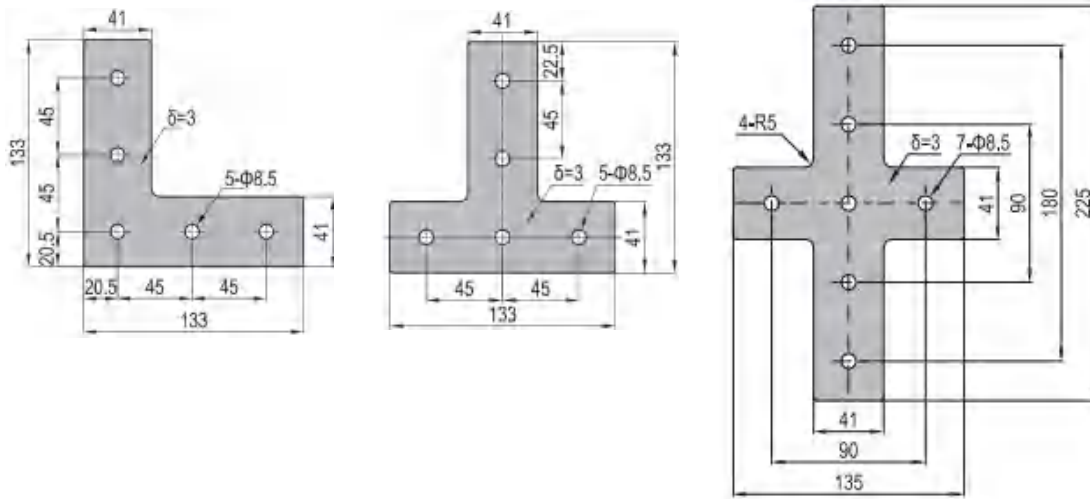


Description 产品描述	Fastening Set 紧固组件	重量 (g)	Code No. 产品编号
AP40-4040-01 (pcs) 40系列-4040-01 (单个供货)		147	JP40-4040-01-PCS
AP40-4040-01 (set X) 40系列-4040-01 (成套供货X)	5xX	217	JP40-4040-01-STX
AP40-4040-01 (set Y) 40系列-4040-01 (成套供货Y)	5xY	257	JP40-4040-01-STY
AP40-4040-02 (pcs) 40系列-4040-02 (单个供货)		149	JP40-4040-02-PCS
AP40-4040-02 (set X) 40系列-4040-02 (成套供货X)	5xX	219	JP40-4040-02-STX
AP40-4040-02 (set Y) 40系列-4040-02 (成套供货Y)	5xY	259	JP40-4040-02-STY
AP40-4040-03 (pcs) 40系列-4040-03 (单个供货)		230	JP40-4040-03-PCS
AP40-4040-03 (set X) 40系列-4040-03 (成套供货X)	7xX	328	JP40-4040-03-STX
AP40-4040-03 (set Y) 40系列-4040-03 (成套供货Y)	7xY	384	JP40-4040-03-STY

Connecting Elements
连接件

Joining Plate
连接板

Material: zinc plated steel
材质: 碳钢镀锌



Description 产品描述	Fastening Set 紧固组件	重量 (g)	Code No. 产品编号
AP45-4545-01 (pcs) 45系列-4545-01 (单个供货)		209	JP45-4545-01-PCS
AP45-4545-01 (set I) 45系列-4545-01 (成套供货I)	5xI	288	JP45-4545-01-STI
AP45-4545-01 (set O) 45系列-4545-01 (成套供货O)	5xO	328	JP45-4545-01-STO
AP45-4545-02 (pcs) 40系列-4040-02 (单个供货)		209	JP45-4545-02-PCS
AP45-4545-02 (set I) 40系列-4040-02 (成套供货I)	5xI	288	JP45-4545-02-STI
AP45-4545-02 (set O) 45系列-4545-02 (成套供货O)	5xO	328	JP45-4545-02-STO
AP45-4545-03 (pcs) 45系列-4545-03 (单个供货)		297	JP45-4545-03-PCS
AP45-4545-03 (set I) 45系列-4545-03 (成套供货I)	7xI	408	JP45-4545-03-STI
AP45-4545-03 (set O) 45系列-4545-03 (成套供货O)	7xO	464	JP45-4545-03-STO

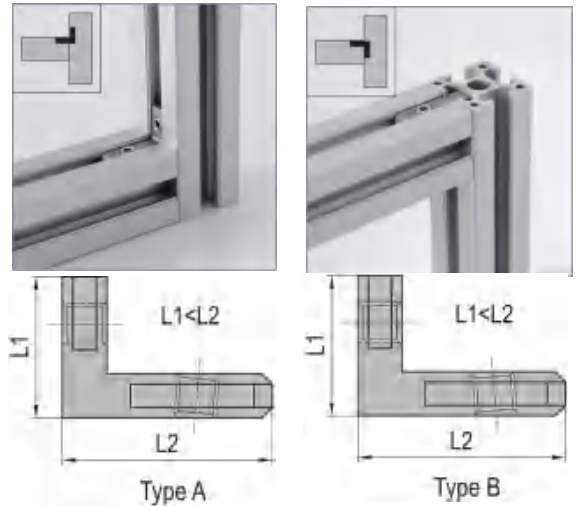
Connecting Elements
连接件

Inner Bracket (with top thread)
槽内直角件 (含顶丝)

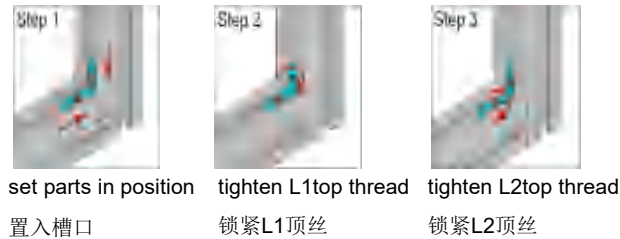
Inner bracket is with low cost and high efficiency, widely used for the assembly of door, window and protection frame.

槽内直角件因其低成本、实用高效，被广泛地应用于门窗、防护框架的组装。

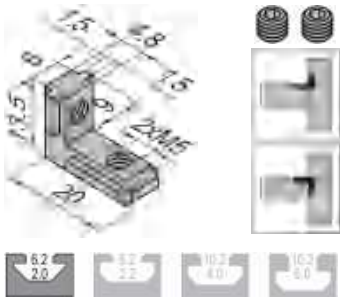
Material: bracket-diecast zinc top thread-zinc plated steel
材质：直角件-锌合金 顶丝-碳钢镀锌



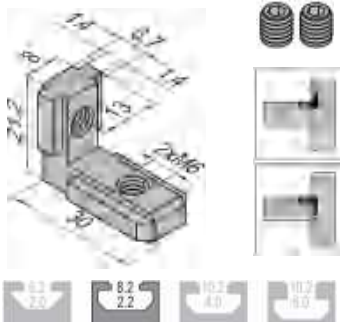
TYPE A



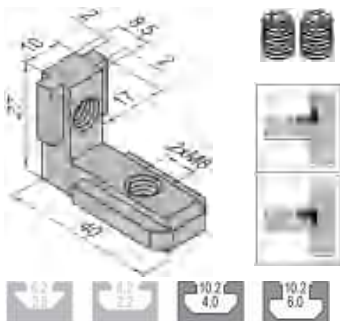
TYPE B



M5x6
Inner Bracket/槽内直角件-6-A
IB-06A
Inner Bracket/槽内直角件-6-B
IB-06B



M6x8
Inner Bracket/槽内直角件-8-A
IB-08A
Inner Bracket/槽内直角件-8-B
IB-08B



M8x10
Inner Bracket/槽内直角件-10-A
IB-10A
Inner Bracket/槽内直角件-10-B
IB-10B

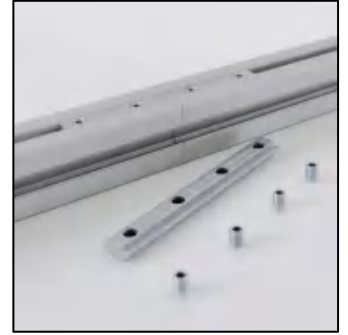
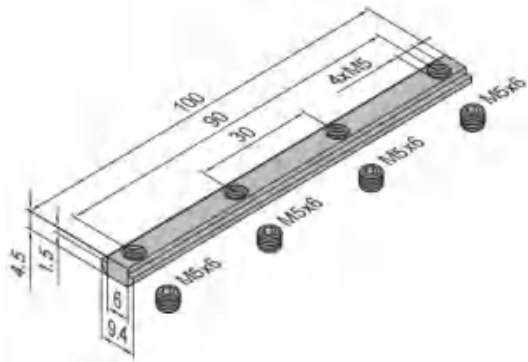
Description 产品描述	Mass 重量 (g/pcs)	Code No. 产品编号
Inner Bracket-6-A (with top thread) 槽内直角件-6-A (含顶丝)	6	IB-06A
Inner Bracket-6-B (with top thread) 槽内直角件-6-B (含顶丝)	6	IB-06B
Inner Bracket-8-A (with top thread) 槽内直角件 8-A (含顶丝)	18	IB-08A
Inner Bracket-8-B (with top thread) 槽内直角件-8-B (含顶丝)	18	IB-08B
Inner Bracket-10-A (with top thread) 槽内直角件-10-A (含顶丝)	36	IB-10A
Inner Bracket-10-B (with top thread) 槽内直角件-10-B (含顶丝)	36	IB-10B

Connecting Elements
连接件

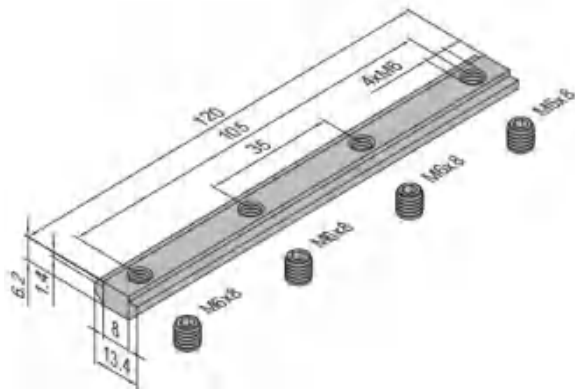
Linear Bar Connector (with top thread)
槽内直线件 (含顶丝)

Material: zinc plated steel
材质: 碳钢镀锌

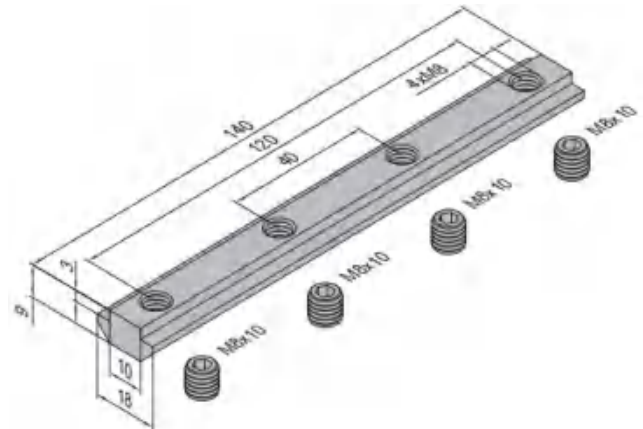
Linear Bar Connector-6
槽内直线件-6



Linear Bar Connector-8
槽内直线件-8



Linear Bar Connector-10
槽内直线件-10



Description 产品描述	Mass 重量(g/pcs)	Code No. 产品编号
Linear Bar Connector-6 (with top thread) 槽内直线件-6 (含顶丝)	27	IBC-06
Linear Bar Connector-8 (with top thread) 槽内直线件-8 (含顶丝)	65	IBC-08
Linear Bar Connector-10 (with top thread) 槽内直线件-10 (含顶丝)	132	IBC-10

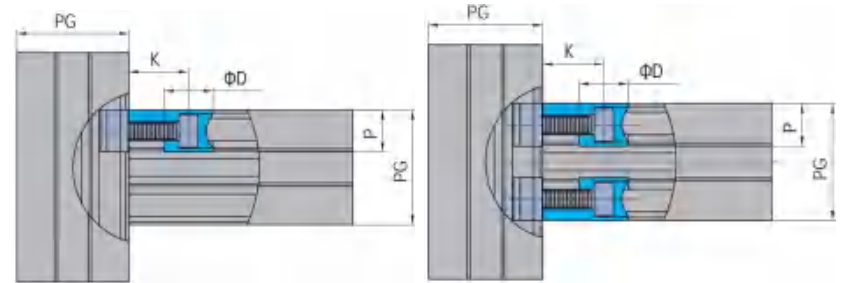
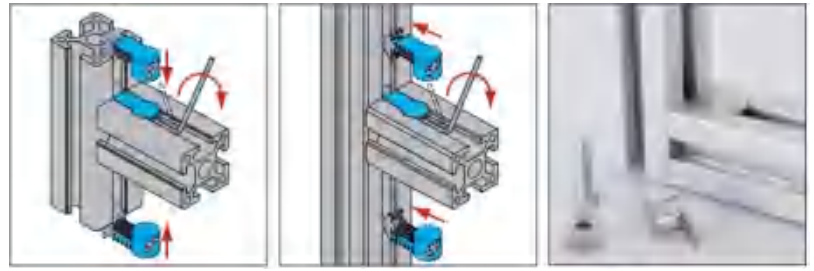
Connecting Elements
连接件

Butt Connector
内置连接件

Butt Connector is used for profile affiliating connection and widely used in clean room.

内置连接件主要用于型材附属连接，广泛的应用于洁净室。

Material: zinc alloy, nickel plated
材质：锌合金 表面处理：镀镍



Butt Connector-6
内置连接件-6



Butt Connector-8
内置连接件-8



Butt Connector-10
内置连接件-10



Description 产品描述	AP 型材系列	K (mm)	D (mm)	P (mm)	Fastening Set 紧固组件	Mass 重量(g)	Code No. 产品编号
Butt Connector-6 (pcs) 内置连接件-6 (单个供货)	AP20 20系列	8	9	8		7	BC-06-PCS
Butt Connector-6 (set M) 内置连接件-6 (成套供货M)					1xM	14	BC-06-STQ
Butt Connector-6 (set Z) 内置连接件-6(成套供货Z)					1xZ	14	BC-06-STPG
Butt Connector-8 (pcs) 内置连接件-8 (单个供货)	AP30 30系列	16	13	11		9	BC-08-PCS
Butt Connector-8 (set Q) 内置连接件-8 (成套供货Q)					1xQ	20	BC-08-STQ
Butt Connector-8 (set PG) 内置连接件-8 (成套供货PG)					1xPG	18	BC-08-STPG
Butt Connector-10 (pcs) 内置连接件-10 (单个供货)	AP40 / AP45 40系列/45系列	22	17	14		15	BC-10-04-PCS
Butt Connector-10-4 (set S) 内置连接件-10-4 (成套供货S)	AP40 40系列				1xS	41	BC-10-04-STS
Butt Connector-10-4 (set CD) 内置连接件10-4(成套供货CD)					1xCD	37	BC-10-04-STCD
Butt Connector-10-6 (set S) 内置连接件-10-6 (成套供货S)	AP45 45系列				1xS	43	BC-10-06-STS
Butt Connector-10-6 (set CE) 内置连接件10-6(成套供货CE)					1xCE	39	BC-10-06-STCE

Connecting Elements
连接件

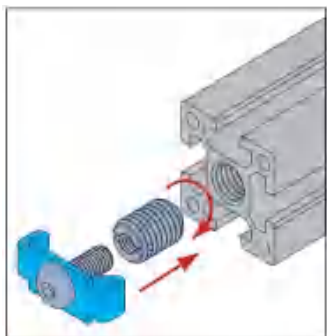
End Connector
端连接



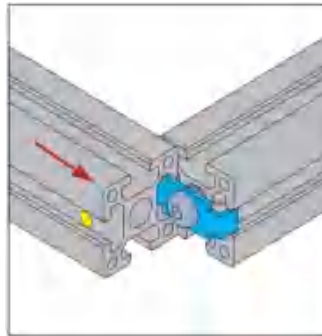
End connector is also called butterfly button connector due to its shape which can hide itself completely in aluminum profile, so it is widely used for frame structures in clean room.

端连接件因其形状又叫蝴蝶扣。此连接可以完全隐蔽在型材之中，所以广泛地应用在洁净室的框架结构中。

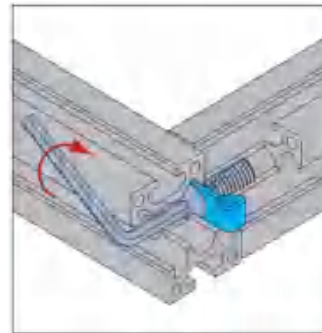
Material: nickel plated steel
材质：碳钢镀镍



End Connector-6
端连接件-6



End Connector-8
端连接件-8



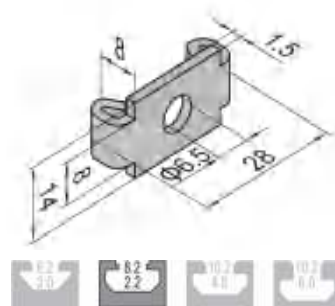
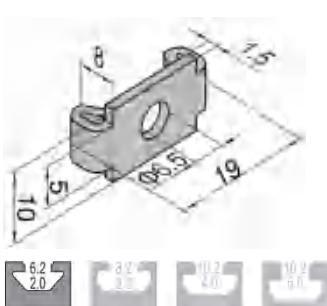
End Connector-10
端连接件-10

FA Fastening Set

- M6x20 Bolt zinc plated
- M12→M6 Hole Reducer Bolt nickel plated

FB Fastening Set

- M8x20 Bolt zinc plated
- M14→M8 Hole Reducer Bolt nickel plated



Description 产品描述	AP 型材系列	Fastening Set 紧固组件	Mass 重量 (g)	Code No. 产品编号
End Connector-6 (pcs) 端连接件-6 (单个供货)	AP20 20系列		7	EC20-06-PCS
End Connector-6 (set) 端连接件-6 (成套供货)		1xFA	23	EC20-06-STFA
End Connector-8 (pcs) 端连接件-8 (单个供货)	AP30 30系列		7	EC30-08-PCS
End Connector-8 (set) 端连接件-8 (成套供货)		1xFA	23	EC30-08-STFA
End Connector-10 (pcs) 端连接件-10 (单个供货)	AP40 / AP45 40系列/45系列		13	EC30-10-PCS
End Connector-10 (set) 端连接件-10 (成套供货)		1xFB	38	EC30-10-STFB

Connecting Elements
连接件

Screw Connector
大螺栓

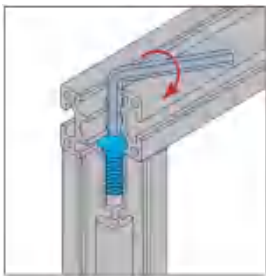


A simple and economic way to replace end connector with more connection reliability.

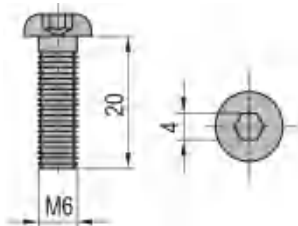
大螺栓的连接方式更简单便捷。

Material: nickel plated steel

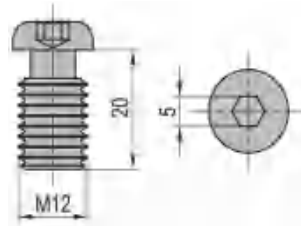
材质：碳钢镀镍



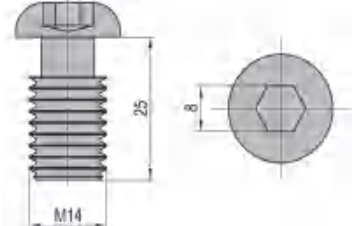
Screw Connector-6
大螺栓-6



Screw Connector-8
大螺栓-8



Screw Connector-10
大螺栓-10



Description 产品描述	Mass 重量 (g)	Part No. 产品编号
Screw Connector-6 大螺栓-6	7	SC-06
Screw Connector-8 大螺栓-8	17	SC-08
Screw Connector-10 大螺栓-10	31	SC-10

Connecting Elements
连接件

Cubic Connector
三维连接件

Material: Connector-diecast aluminum Cap-black ABS
材质: 三维连接件-压铸铝合金 端盖-ABS 端盖颜色:黑色

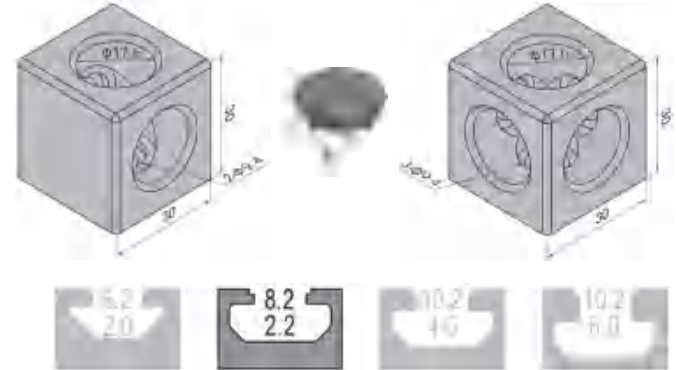
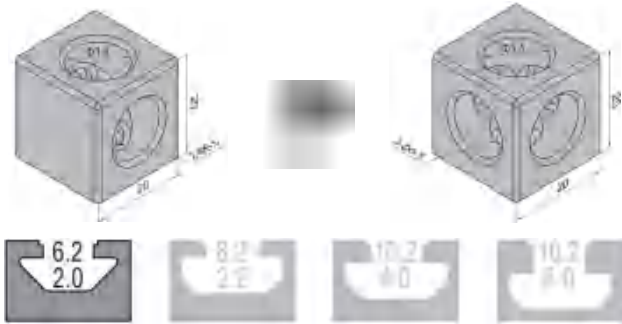


Cubic Connector-2020-2
三维连接件-2020-2

Cubic Connector-2020-3
三维连接件-2020-3

Cubic Connector-3030-2
三维连接件-3030-2

Cubic Connector-3030-3
三维连接件-3030-3



Description 产品描述	Fastening Set 紧固组件	Cap 端盖 (pcs)	Mass 重量 (g)	Code No. 产品编号
Cubic Connector-2020-2 (set) 三维连接件-2020-2 (成套供货)	2x (M6*16)	2	151	CC-2020-02-ST
Cubic Connector-2020-3 (set) 三维连接件-2020-3 (成套供货)	3x (M8*20)	2	184	CC-2020-03-ST
Cubic Connector-3030-2 (set) 三维连接件-3030-2 (成套供货)	2x (M8*25)	3	171	CC-3030-02-ST
Cubic Connector-3030-3 (set) 三维连接件-3030-3 (成套供货)	3x (M8*25)	3	204	CC-3030-03-ST

Connecting Elements
连接件

Cubic Connector
三维连接件

Material: Connector-diecast aluminum Cap-black ABS
材质: 三维连接件-压铸铝合金 端盖-ABS 端盖颜色:黑色

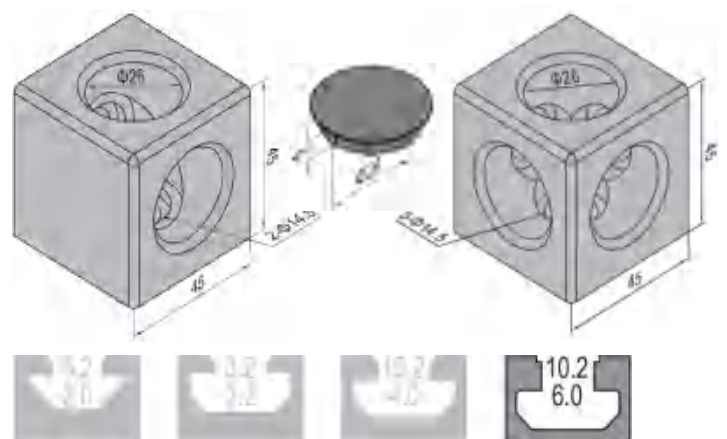
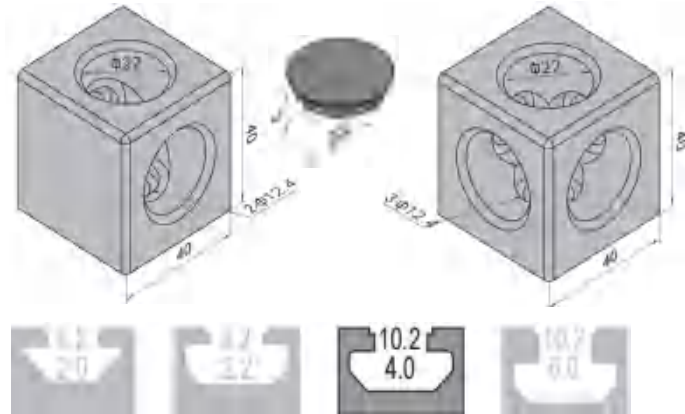


Cubic Connector-4040-2
三维连接件-4040-2

Cubic Connector-4040-3
三维连接件-4040-3

Cubic Connector-4545-2
三维连接件-4545-2

Cubic Connector-4545-3
三维连接件-4545-3

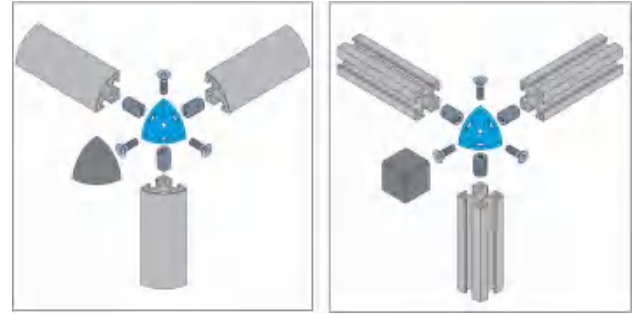
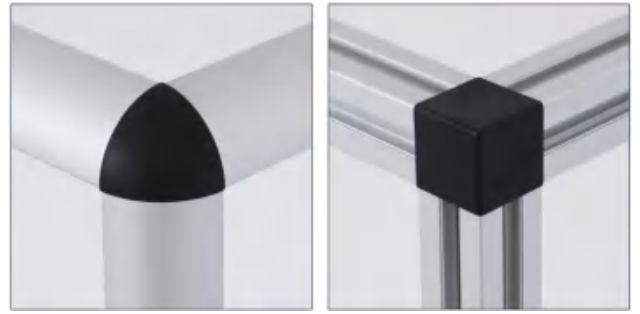
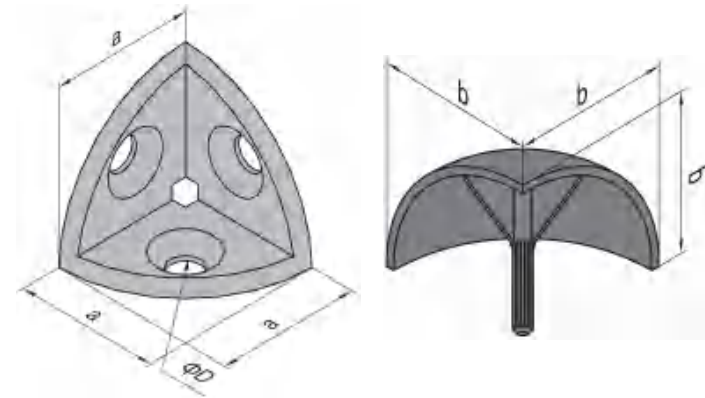


Description 产品描述	Fastening Set 紧固组件	Cap 端盖 (pcs)	Mass 重量 (g)	Code No. 产品编号
Cubic Connector-4040-2 (set) 三维连接件-4040-2 (成套供货)	2x (M12*30)	2	186	CC-4040-02-ST
Cubic Connector-4040-3 (set) 三维连接件-4040-3 (成套供货)	3x (M12*30)	2	219	CC-4040-03-ST
Cubic Connector-4545-2 (set) 三维连接件-4545-2 (成套供货)	2x (M14x25)	3	201	CC-4040-02-ST
Cubic Connector-4545-3 (set) 三维连接件-4545-3 (成套供货)	3x (M14x25)	3	234	CC-4040-03-ST

Connecting Elements
连接件

Cubic Connector
三维角件

Material: Connector-diecast zinc Cap-black ABS
材质: 三维角件-锌合金 端盖-ABS 端盖颜色: 端盖-黑色



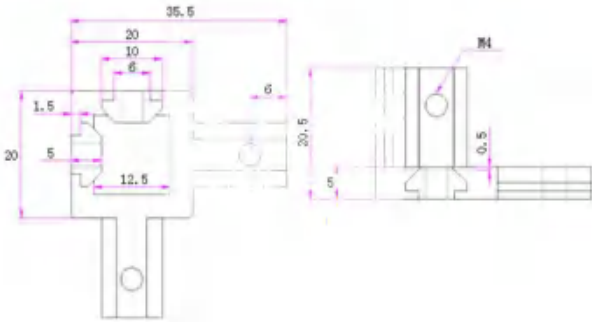
Description 产品描述	a	b	D	Fastening Set 紧固组件	Cap 端盖 (pcs)	Mass 重量 (g)	Code No. 产品编号
Cubic Connector-2020(set) 三维角件-2020成套供货	18.5	20	6.5	3xDY	1	23	CC-CAP-2020-ST
Cubic Connector-3030(set) 三维角件-3030成套供货	28	30	6.5	3xCW	1	105	CC-CAP-3030-ST
Cubic Connector-4040(set) 三维角件-4040成套供货	38	40	8.5	3xFI	1	159	CC-CAP-4040-ST
Cubic Connector-4545(set) 三维角件-4545成套供货	42	45	8.5	3xFI	1	187	CC-CAP-4545-ST

Connecting Elements
连接件

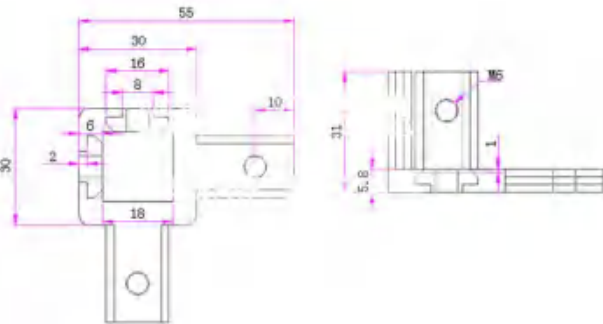
Cubic Angle Connector
三维直角连接件

Material: Connector-diecast aluminum
材质: 三维连接件-压铸铝合金

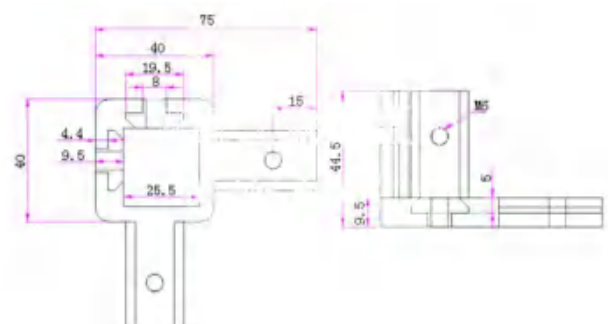
AP20-2020
20系列



AP30-3030
30系列



AP40-4040
40系列

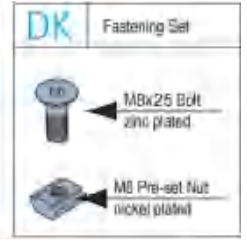
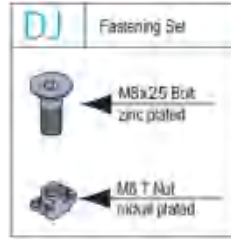
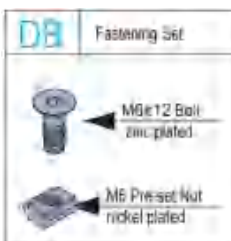
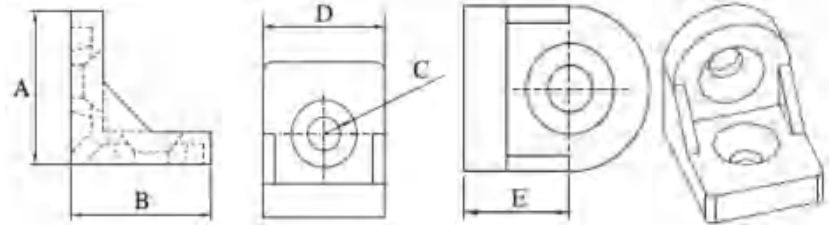
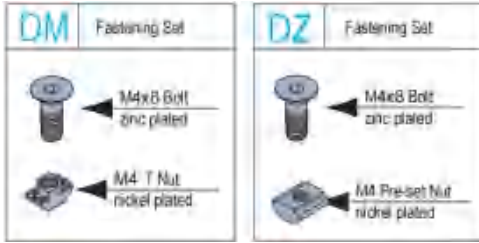


Description 产品描述	Fastening Set 紧固组件	Mass 重量 (g)	Code No. 产品编号
Cubic Angle Connector-2020-M4 (set) 三维直角连接件-2020-M4 (成套供货)	8x (M4*5)	186	CAC-2020-M4-ST
Cubic Angle Connector-3030-M6 (set) 三维直角连接件-3030-M6 (成套供货)	8x (M6*8)	219	CAC-3030-M6-ST
Cubic Angle Connector-4040-M6 (set) 三维直角连接件-4040-M6 (成套供货)	8x (M6*8)	201	CAC-4040-M6-ST

Connecting Elements
连接件

90° 2 Holes Corner Bracket
90度转向连接件

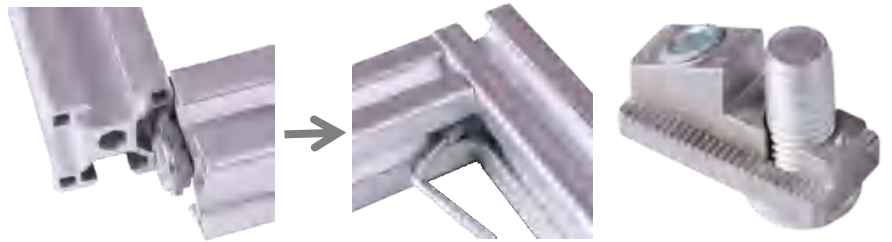
Material: diecast aluminum
材质: 压铸铝合金



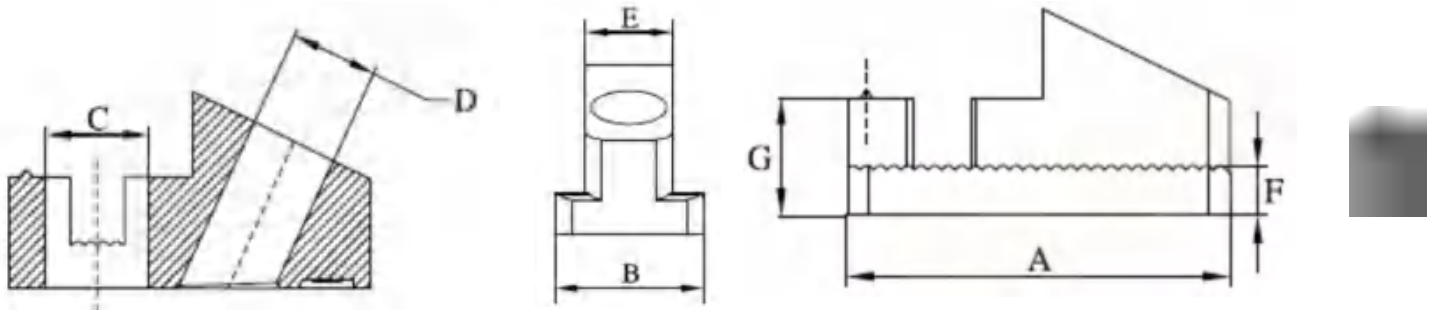
Description 产品描述	A	B	C	D	E	Fastening Set 紧固组件	Mass 重量 (g)	Code No. 产品编号
90° 2 Holes Corner Bracket-2020 90度转向连接件-20系列	20	20	4.5	20	10		20	CB-2020-04-PCS
90° 2 Holes Corner Bracket-2020-set 90度转向连接件-20系列-成套供应						2xDM	22	CB-2020-04-STD
90° 2 Holes Corner Bracket-2020-set 90度转向连接件-20系列-成套供应						2xDZ	23	CB-2020-04-STDZ
90° 2 Holes Corner Bracket-3030 90度转向连接件-30系列	30	30	6.5	30	15		25	CB-3030-06-PCS
90° 2 Holes Corner Bracket-3030-set 90度转向连接件-30系列-成套供应						2xDA	28	CB-3030-06-STD
90° 2 Holes Corner Bracket-3030set 90度转向连接件-30系列-成套供应						2xDB	29	CB-3030-06-STDB
90° 2 Holes Corner Bracket-4040 90度转向连接件-40系列	37	35	8.5	30	20		28	CB-4040-08-PCS
90° 2 Holes Corner Bracket-4040-set 90度转向连接件-40系列-成套供应						2xDD	30	CB-4040-08-STDD
90° 2 Holes Corner Bracket-4040set 90度转向连接件-40系列-成套供应						2xDE	31	CB-4040-08-STDE
90° 2 Holes Corner Bracket-4545 90度转向连接件-45系列	43	43	8.5	38	22.5		46	CB-4545-08-PCS
90° 2 Holes Corner Bracket-4545-set 90度转向连接件-45系列-成套供应						2xDJ	48	CB-4545-08-STDJ
90° 2 Holes Corner Bracket-4545set 90度转向连接件-45系列-成套供应						2xDK	49	CB-4545-08-STDK

Connecting Elements
连接件

Fixed Inside Fastener
内置直角槽扣



Material: nickel plated steel
材质：碳钢镀镍



Description 产品描述	A	B	C	D	E	F	G	Fastening Set 紧固组件	Mass 重量 (g)	Code No. 产品编号
Fixed Inside Fastener-4040 内置直角槽扣-40系列	28	13.4	8.2	M8	8	4	8.5	1x(M8X16)	12	FIF-4040-08-ST
Fixed Inside Fastener-4545 内置直角槽扣-45系列	29	18	8.2	M8	10	4	8.5	1x(M8X16)	17	FIF-4545-10-ST



End Cap
端盖

T Slot Cover
T型槽扣条

4 Profile Accessories 型材附件



Profile Accessories

型材附件

End Cap

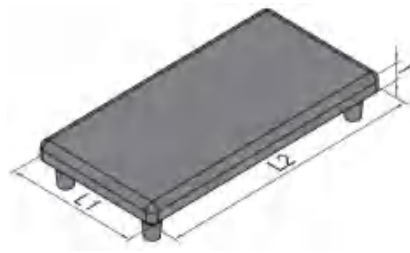
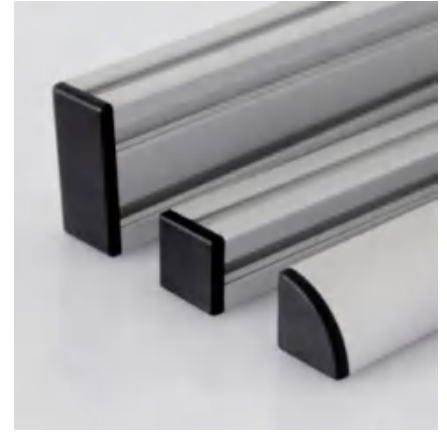
端盖

To prevent staff from any injury and profile end appearance.

端盖可以预防划伤，使型材更美观。

Material and colour : black ABS

材质：ABS 颜色：黑色



Description 产品描述	L1 (mm)	L2 (mm)	T (mm)	Mass 重量 (g)	Code No. 产品编号
End Cap-AP20-2020 端盖-20系列-2020	20	20	4	2	EC-20-2020
End Cap-AP20-2040 端盖-20系列-2040	20	40	4	3	EC-20-2040
End Cap-AP20-4040 端盖-20系列-4040	40	40	4	6	EC-20-4040
End Cap-AP30-3030 端盖-30系列-3030	30	30	5	3	EC-30-3030
End Cap-AP30-3060 端盖-30系列-3060	30	60	5	8	EC-30-3060
End Cap-PG30-3090 端盖-30系列-3090	30	90	5	11	EC-30-3090
End Cap-PG30-6060 端盖-30系列-6060	60	60	5	15	EC-30-6060
End Cap-PG40-4040 端盖-40系列-4040	40	40	5	6	EC-40-4040
End Cap-PG40-4080 端盖-40系列-4080	40	80	5	13	EC-40-4080
End Cap-PG45-4545 端盖-45系列-4545	45	45	5	8	EC-40-4545
End Cap-PG45-4590 端盖-45系列-4590	45	90	5	16	EC-40-4590

Profile Accessories

型材附件

End Cap

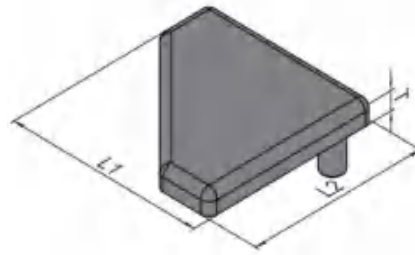
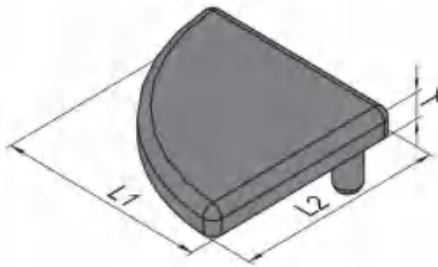
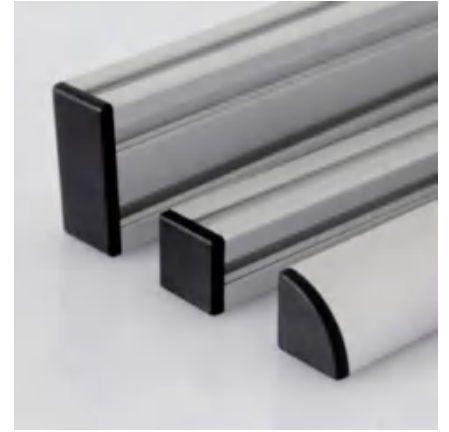
端盖

To prevent staff from any injury and profile end appearance.

端盖可以预防划伤，使型材更美观。

Material and colour : black ABS

材质：ABS 颜色：黑色



Description 产品描述	L1 (mm)	L2 (mm)	T (mm)	Mass 重量 (g)	Code No. 产品编号
End Cap-AP20-2020R 端盖-20系列-2020R	20	20	4	1	EC-20-2020R
End Cap-AP30-3030R 端盖-30系列-3030R	30	30	5	3	EC-30-3030R
End Cap-AP40-4040R 端盖-40系列-4040R	40	40	5	6	EC-40-4040R
End Cap-AP40-4040T-08 端盖-40系列-4040R 槽8	40	40	5	5.3	EC-40-4040T-08
End Cap-AP40-4040T-10 端盖-40系列-4040R 槽10	40	40	5	5.3	EC-40-4040T-10
End Cap-AP45-4545R 端盖-45系列-4545R	45	45	5	7	EC-45-4545R

Profile Accessories
型材附件

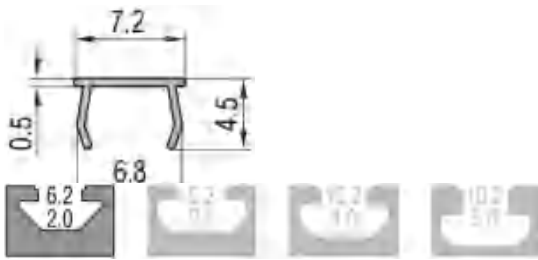
PP T Slot Cover
硬质T型槽扣条

To prevent slot from contamination and improve structure appearance.
T形槽扣条用于防尘及美化框架结构外观。

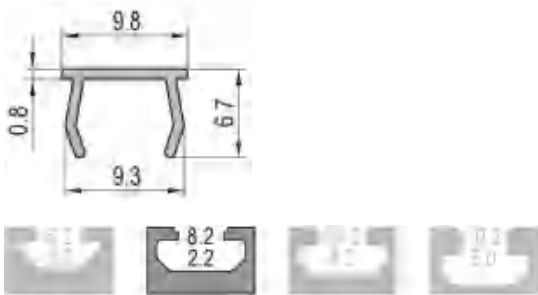
Material and Color: PP black/ blue/ grey/ orange
材质: PP 颜色: 黑色/蓝色/灰色/橘色



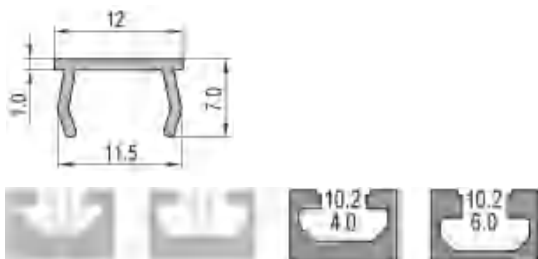
T Slot Cover-6
T形槽扣条-6



T Slot Cover-8
T形槽扣条-8



T Slot Cover-10
T形槽扣条-10



Description 产品描述	Color 颜色	Mass 重量(g/m)	Delivery Length 供货长度	Code No. 产品编号
T Slot Cover-6 T形槽扣条-6	Black 黑色	11	2000mm/bar	PP-TSC-06-BK
T Slot Cover-6 T形槽扣条-6	Blue 蓝色			PP-TSC-06-BL
T Slot Cover-6 T形槽扣条-6	Grey 灰色			PP-TSC-06-GY
T Slot Cover-6 T形槽扣条-6	Orange 橘色			PP-TSC-06-OR
T Slot Cover-8 T形槽扣条-8	Black 黑色	22		PP-TSC-08-BK
T Slot Cover-8 T形槽扣条-8	Blue 蓝色			PP-TSC-08-BL
T Slot Cover-8 T形槽扣条-8	Grey 灰色			PP-TSC-08-GY
T Slot Cover-8 T形槽扣条-8	Orange 橘色			PP-TSC-08-OR
T Slot Cover-10 T形槽扣条-10	Black 黑色	38		PP-TSC-10-BK
T Slot Cover-10 T形槽扣条-10	Blue 蓝色			PP-TSC-10-BL
T Slot Cover-10 T形槽扣条-10	Grey 灰色			PP-TSC-10-GY
T Slot Cover-10 T形槽扣条-10	Orange 橘色			PP-TSC-10-OR

Note:

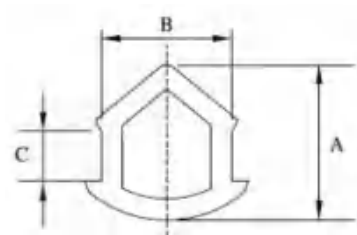
1. Cut to delivery length is not available, but 4000mm or Max. 5800 delivery length is available upon 不提供定尺切割服务, 但单根4000mm或5800mm可根据要求供货。
2. Customized color upon request is subject to 5000 meters minimum order quantities. 若需其他颜色, 最小起订量为5000米。

Profile Accessories
型材附件

PVP T Slot Cover
软质T型槽扣条

To prevent slot from contamination and improve structure appearance.
T形槽扣条用于防尘及美化框架结构外观。

Material and Color: PVP black/ blue/ grey/ white / red / yellow / green
材质: PVP 颜色: 黑色/蓝色/灰色/白色/红色/黄色/绿色



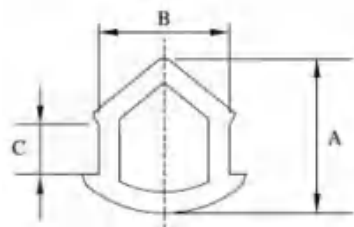
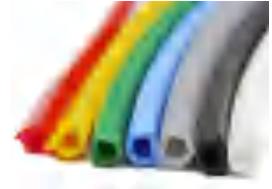
Description 产品描述	Color 颜色	A	B	C	Mass 重量(g/m)	Delivery Length 供货长度	Code No. 产品编号
T Slot Cover-6 T形槽扣条-6	Black 黑色	8	7	2.5	25	350m/roll 350米/卷	PVP-TSC-06-BK
T Slot Cover-6 T形槽扣条-6	Blue 蓝色						PVP-TSC-06-BL
T Slot Cover-6 T形槽扣条-6	Grey 灰色						PVP-TSC-06-GY
T Slot Cover-6 T形槽扣条-6	White 白色						PVP-TSC-06-WH
T Slot Cover-6 T形槽扣条-6	Red 红色						PVP-TSC-06-RE
T Slot Cover-6 T形槽扣条-6	Yellow 黄色						PVP-TSC-06-YE
T Slot Cover-6 T形槽扣条-6	Green 绿色						PVP-TSC-06-GR
T Slot Cover-8 T形槽扣条-8	Black 黑色	10	9	4	46		PVP-TSC-08-BK
T Slot Cover-8 T形槽扣条-8	Blue 蓝色						PVP-TSC-08-BL
T Slot Cover-8 T形槽扣条-8	Grey 灰色						PVP-TSC-08-GY
T Slot Cover-8 T形槽扣条-8	White 白色						PVP-TSC-08-WH
T Slot Cover-8 T形槽扣条-8	Red 红色						PVP-TSC-08-RE
T Slot Cover-8 T形槽扣条-8	Yellow 黄色						PVP-TSC-08-YE
T Slot Cover-8 T形槽扣条-8	Green 绿色						PVP-TSC-08-GR

Profile Accessories
型材附件

PVP T Slot Cover
软质T型槽扣条

To prevent slot from contamination and improve structure appearance.
T形槽扣条用于防尘及美化框架结构外观。

Material and Color: PVP black/ blue/ grey/ white / red / yellow / green
材质：PVP 颜色：黑色/蓝色/灰色/白色/红色/黄色/绿色



Description 产品描述	Color 颜色	A	B	C	Mass 重量(g/m)	Delivery Length 供货长度	Code No. 产品编号
T Slot Cover-10 T形槽扣条-10	Black 黑色	12	10.5	4	65	350m/roll 350米/卷	PVP-TSC-10-BK
T Slot Cover-10 T形槽扣条-10	Blue 蓝色						PVP-TSC-10-BL
T Slot Cover-10 T形槽扣条-10	Grey 灰色						PVP-TSC-10-GY
T Slot Cover-10 T形槽扣条-10	White 白色						PVP-TSC-10-WH
T Slot Cover-10 T形槽扣条-10	Red 红色						PVP-TSC-10-RE
T Slot Cover-10 T形槽扣条-10	Yellow 黄色						PVP-TSC-10-YE
T Slot Cover-10 T形槽扣条-10	Green 绿色						PVP-TSC-10-GR



5 Floor Elements 地面组件

Base Plate
隔断支脚

Base Plate
型材底座

Leveling Foot
支脚

Mounting Plate
支脚连接板

Castor Plate
脚轮连接板

Base Angle
板支脚

L Base
L 形支脚

Foot and Castor Components
支脚万向轮组件

Leveling Castor
水平调节轮



Floor Elements
地面组件

Base Plate
隔断支脚

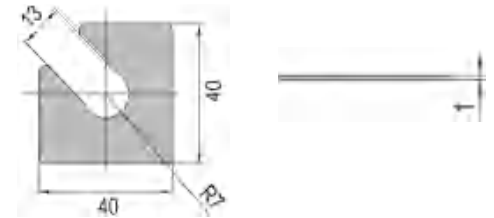


To support strut profile at the bottom. Expansion bolts chocked into floor can offer a high stability.

隔断支脚用于防护单元之间型材的底部支撑，使用膨胀螺栓置入地下更能提高稳定性。

Material and surface treatment: cast steel, black electrophoresis

材质：铸钢 表面处理：黑色电泳



Base Plate Gasket

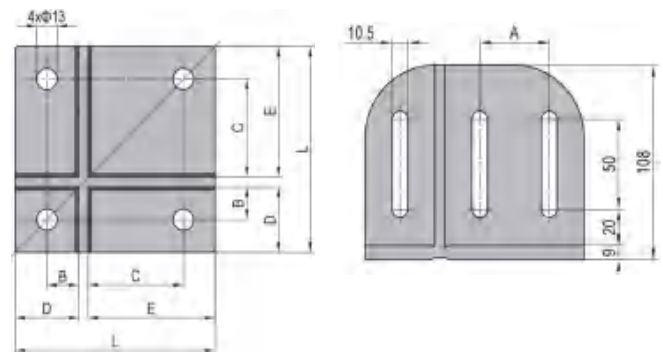
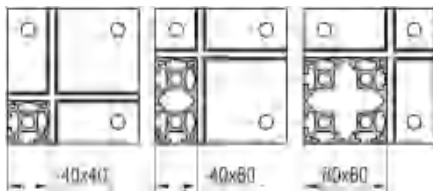
隔断支脚垫片 A

To adjust the degree of vertical profile and uneven ground.

隔断支脚垫片用于地面不平,调整型材与地面垂直度。

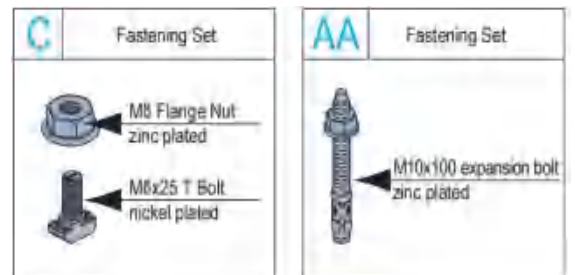
Base Plate-4080

隔断支脚-4080



Base Plate-4590

隔断支脚-4590



Description 产品描述	L (mm)	A (mm)	B (mm)	C (mm)	D (mm)	E (mm)	Fastening Set 紧固组件	Mass 重量 (g)	Code No. 产品编号
Base Plate-4080 (pcs) 隔断支脚-4080 (单个供货)	126	40	20	60	40	80		1930	BP-4080-PCS
Base Plate-4080 (set A) 隔断支脚-4080 (成套供货A)							4xC+3xAA	2240	BP-4080-STA
Base Plate-4080 (set B) 隔断支脚-4080 (成套供货B)							6xC+3xAA	2290	BP-4080-STB
Base Plate-4080 (set C) 隔断支脚-4080 (成套供货C)							8xC+3xAA	2340	BP-4080-STC
Base Plate-4590 (pcs) 隔断支脚-4590 (单个供货)	141	45	22.5	67.5	45	90		2330	BP-4590-PCS
Base Plate-4590 (set A) 隔断支脚-4590 (成套供货A)							4xC+3xAA	2640	BP-4590-STA
Base Plate-4590 (set B) 隔断支脚-4590 (成套供货B)							6xC+3xAA	2690	BP-4590-STB
Base Plate-4590 (set C) 隔断支脚-4590 (成套供货C)							8xC+3xAA	2740	BP-4590-STC

Floor Elements
地面组件

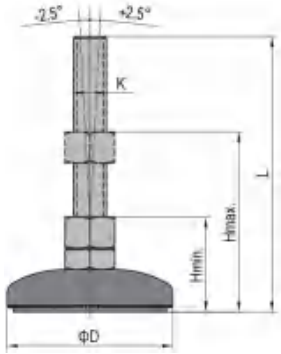
Leveling Foot-Pivot Foot
支脚-尼龙微调



To support structure where gradual height adjustment is needed, the 尼龙微调支脚用来支撑高度需要微调的框架结构, 调节角度较小, 适用于
Material and Color: Base-black PA6 Spindle-zinc plated steel Pad-black rubber
材质: 底盘-增强尼龙6 牙杆-碳钢镀锌 胶垫-橡胶 颜色: 底盘-黑色 胶垫-黑色



Pivot Foot
尼龙微调支脚



Description 产品描述	D (mm)	KxL (mm)	H min. (mm)	Hmax. (mm)	Max. Static Load 最大静态载荷 (N)	Mass 重量 (g)	Code No. 产品编号
Pivot Foot-PA 6 Base 尼龙微调支脚-增强尼龙6底盘	59	M12x90	45	70	4500	152	PF-60-12-90
		M14x130		100	7000	220	PF-60-14-130
	79	M12x90	45	70	9000	188	PF-80-12-90
		M12x130		100		218	PF-80-12-130
		M16x130		100		328	PF-80-16-130
	99	M12x130	45	100	10000	326	PF-100-12-130
		M16x130		100		436	PF-100-16-130

Leveling Foot-Swivel Foot
支脚-球头



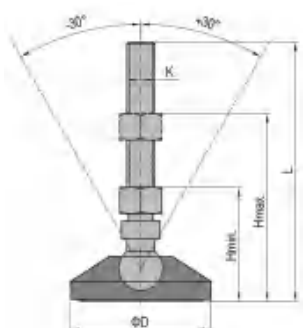
To support structure where gradual height adjustment is needed, the swivel foot has a ball joint between the base and spindle, thus allowing the foot to swivel to an angle up to 30°. It is suitable to be used on the components moved frequently.

球头支脚用来支撑需要调整高度的框架结构, 底盘和牙杆间有球头连接, 因此牙杆旋转角度可达30度,适用于需要频繁移动的组件。



Material and Color: Base-black PA6 Spindle-zinc plated steel Pad-black rubber
材质: 底盘-增强尼龙6 牙杆-碳钢镀锌 胶垫-橡胶 颜色: 底盘-黑色 胶垫-黑色

Swivel Foot 球头支脚



Description 产品描述	D (mm)	KxL (mm)	H min. (mm)	H max. (mm)	Max. Static Load 最大静态载荷 (N)	Mass 重量 (g)	Code No. 产品编号
Swivel Foot-PA 6 Base 球头支脚-增强尼龙6底盘	59	M12x90	45	70	4500	162	SF-60-12-90
		M12x130		100	9000	198	SF-80-12-90
	M12x130	100	228	SF-80-12-130			
	M16x130	100	338	SF-80-16-130			
	99	M12x130	45	100	10000	336	SF-100-12-130
		M16x130		100		446	SF-100-16-130

Floor Elements
地面组件

Leveling Foot-Swivel Foot with holes

支脚-带孔球头



To support structure where gradual height adjustment is needed, the swivel foot has a ball joint between the base and spindle, thus allowing the foot to swivel to an angle up to 30°. It is suitable for uneven surface and fixed with expansion bolts.

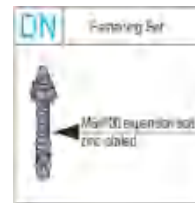
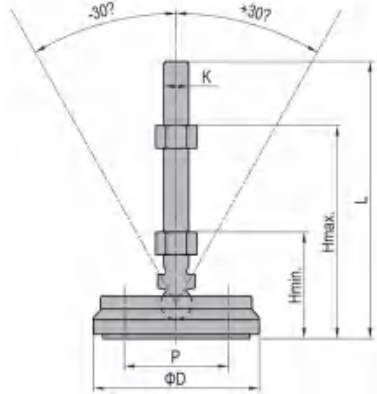
球头带孔支脚用来支撑需要调整高度的框架结构，底盘和牙杆之间有球头连接，因此牙杆旋转角度可达30度，可以自适应不平整的固定面，适应后可用膨胀螺栓固定。

Material and Color: Base-black PA6 Spindle-zinc plated steel Pad-black rubber

材质：底盘-增强尼龙6 牙杆-碳钢镀锌 胶垫-橡胶 颜色：底盘-黑色 胶垫-黑色

Swivel Foot with holes

带孔球头支脚



Description 产品描述	D (mm)	P (mm)	KxL (mm)	H min. (mm)	H max.	Max. Static Load 最大静态载荷 (N)	Fastening Set 紧固组件	Mass 重量 (g)	Code No. 产品编号
Swivel Foot with holes-PA 6 Base (pcs) 带孔球头支脚-增强尼龙6 底盘 (单个供货)	80	50	M12x130	45	100	9000		217	SF-80-12-130-DH
Swivel Foot with holes-PA 6 Base (set) 带孔球头支脚-增强尼龙6 底盘 (成套供货)			M12x130				2xDN	291	SF-80-12-130-DH-ST
Swivel Foot with holes-PA 6 Base (pcs) 带孔球头支脚-增强尼龙6 底盘 (单个供货)			M16x130					297	SF-80-16-130-DH
Swivel Foot with holes-PA 6 Base (set) 带孔球头支脚-增强尼龙6 底盘 (成套供货)			M16x130				2xDN	371	SF-80-16-130-DH-ST

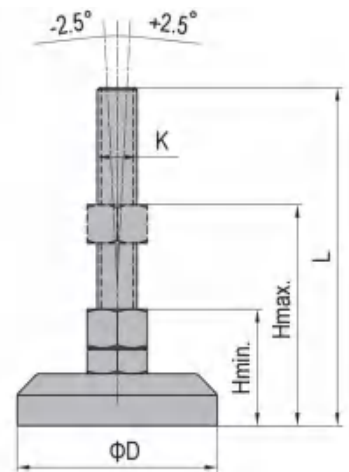
Floor Elements
地面组件

Leveling Foot-Pivot Foot
支脚-金属微调

To support structure where gradual height adjustment is needed, the pivot foot has a small swiveling angle to fit slightly uneven floor. The connection between the pivot base and the spindle can be released with a tool.

金属微调支脚用来支撑需要调整高度的框架结构，调节角度较小，适用于相对平整的地面，此支脚的牙杆和底盘可用工具拆分。

Material: zinc plated steel / stainless steel
材质：碳钢镀锌/不锈钢



Pivot Foot
金属微调支脚

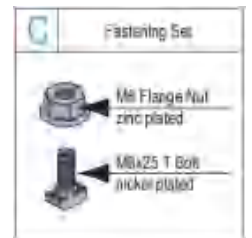
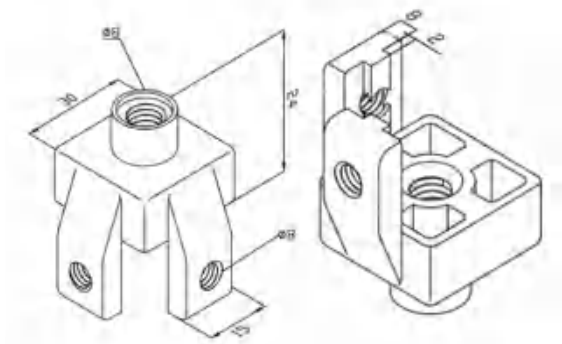
Description 产品描述	D(mm)	KxL (mm)	H min. (mm)	H max. (mm)	Max. Static Load 最大静态载荷 (N)	Mass 重量 (g)	Code No. 产品编号
Pivot Foot-Zinc Plate Steel 金属微调支脚-碳钢镀锌	40	M12x128	45	100	15000	241	PFZ-40-12-130
		M14x128	45	100	17000	290	PFZ-40-14-130
	60	M12x128	45	100	15000	475	PFZ-60-12-130
		M14x128	45	100	17000	523	PFZ-60-14-130
		M16x158	45	120	20000	596	PFZ-60-16-130
		M20x178	50	130	25000	796	PFZ-60-20-130
	80	M12x128	45	100	15000	670	PFZ-80-12-130
		M14x128	45	100	17000	741	PFZ-80-14-130
M16x158		45	120	20000	780	PFZ-80-16-160	
M20x178		50	130	25000	945	PFZ-80-20-160	
Pivot Foot-Stainless Steel 金属微调支脚-不锈钢	40	M12x128	45	100	15000	240	PFSS-40-12-130
	60	M12x128	45	100	15000	480	PFSS-60-12-130
		M16x158	45	120	20000	600	PFSS-60-16-160
		M20x178	50	130	25000	803	PFSS-60-20-180
	80	M12x128	45	100	15000	675	PFSS-80-12-130
		M16x158	45	120	20000	785	PFSS-80-16-160
M20x178		50	130	25000	950	PFSS-80-20-180	

Floor Elements
地面组件

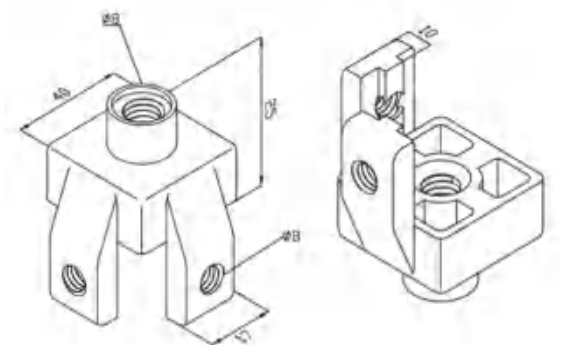
Foot Adjust Connector
地脚连接件

用于地脚和型材之间的连接件；广泛使用于洁净室/无尘室、电器支架

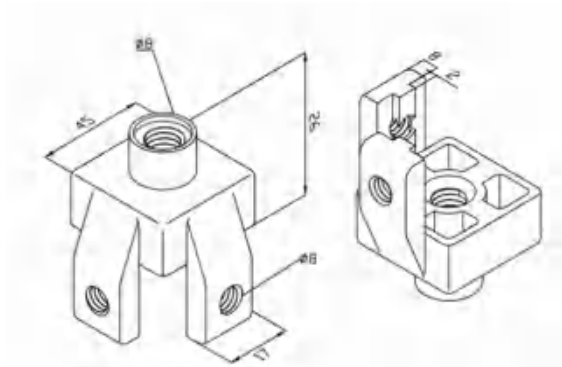
3030系列-M8



4040系列-M8



4545系列-M8/10



Description 产品描述	Fastening Set 紧固组件	Mass 重量(g)	Code No. 产品编号
AP30-30x30-M8 (pcs) 30系列-30x30 M8 (单个供货)		35	FAC-3030-08-PCS
AP30-30x30-M8 (set) 30系列-30x30 (成套供货)	2xC	55	FAC-3030-08-SET
AP40-40x40-M8 (pcs) 40系列-40x40 M8 (单个供货)		40	FAC-4040-08-PCS
AP40-40x40-M8 (set) 40系列-40x40 M8(成套供货)	2xC	65	FAC-4040-08-SET
AP45-45x45-M8 (pcs) 45系列-45x45 M8 (单个供货)		45	FAC-4545-08-PCS
AP45-45x45-M8 (set) 45系列-45x45 M8(成套)	2xC	70	FAC-4545-08-SET
AP45-45x45-M10 (pcs) 45系列-45x45M10 (单个供货)		50	FAC-4545-10-PCS
AP45-45x45-M10 (set) 45系列-45x45 M10(成套)	2xC	75	FAC-4545-10-SET

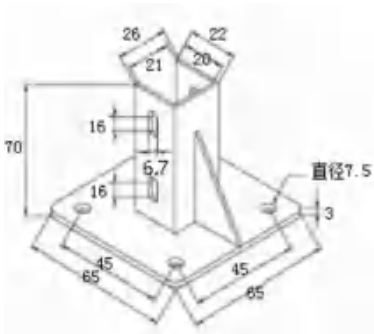
Floor Elements
地面组件

Ground-pin Connector
铝型材地脚件

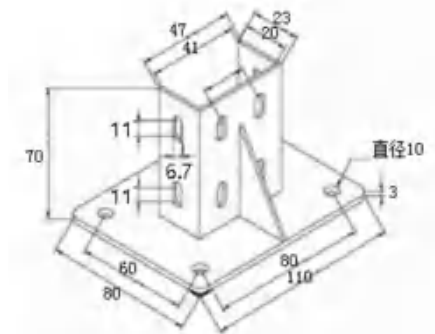
It is used for the foundation support of the profile bracket. The size should be determined according to the profile size. It should be connected with bolts and nuts.



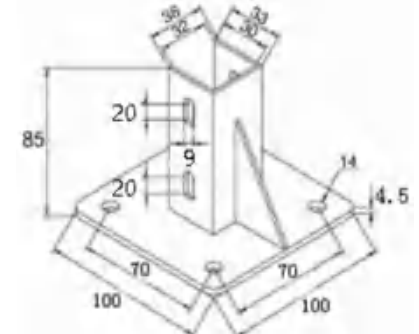
AP20-2020
20系列-2020



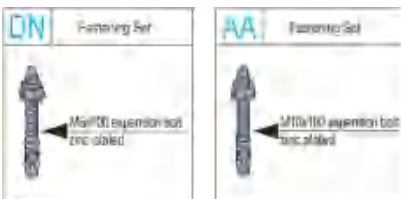
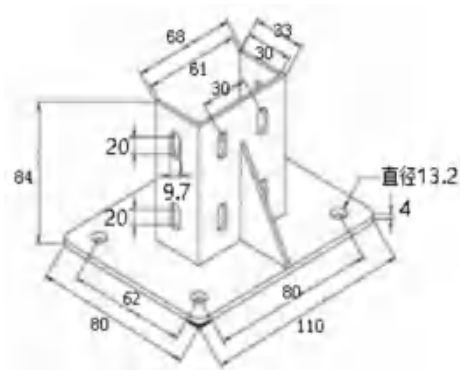
AP20-2040
20系列-2040



AP30-3030
30系列-3030



AP30-3060
30系列-3060



Description 产品描述	Fastening Set 紧固组件	Mass 重量(g)	Code No. 产品编号
AP20-2020-PCS 20系列2020 单个供货		285	GC-20-2020-PCS
AP20-2020-SET 20系列2020 成套供货	4xDN	357	GC-20-2020-SET
AP20-2040-PCS 20系列2040 单个供货		320	GC-20-2040-PCS
AP20-2040-SET 20系列2040 成套供货	4xAA	392	GC-20-2040-SET
AP30-3030-PCS 30系列3030 单个供货		415	GC-30-3030-PCS
AP30-3030-SET 30系列3030 成套供货	4xAA	487	GC-30-3030-SET
AP30-3060-PCS 30系列3060 单个供货		406	GC-30-3060-PCS
AP30-3060-SET 30系列3060 成套供货	4xAA	478	GC-30-3060-SET

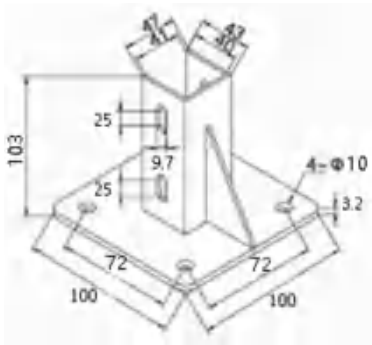
Floor Elements
地面组件

Ground-pin Connector
铝型材地脚件

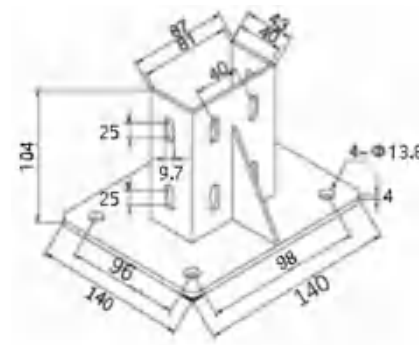
It is used for the foundation support of the profile bracket. The size should
用于型材支架的地脚支撑，根据型材尺寸选定大小，需使用螺栓与螺母进行连接。



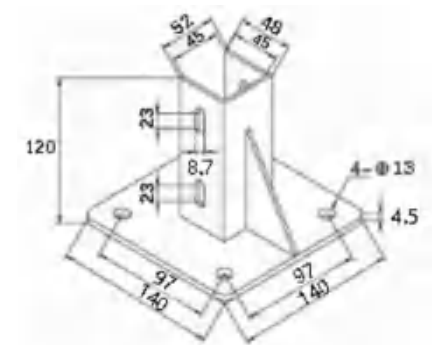
AP40-4040
40系列-4040



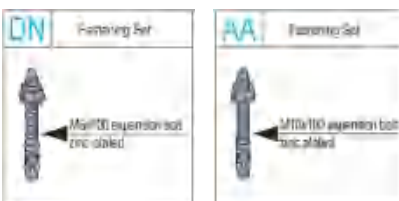
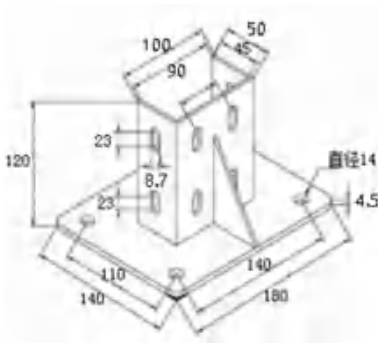
AP40-4080
40系列-4080



AP45-4545
45系列-4545



AP45-4590
45系列-4590



Description 产品描述	Fastening Set 紧固组件	Mass 重量(g)	Code No. 产品编号
AP40-4040-PCS 40系列4040 单个供货		600	GC-40-4040-PCS
AP40-4040-SET 40系列4040 成套供货	4xAA	672	GC-40-4040-SET
AP40-4080-PCS 40系列4080 单个供货		1217	GC-40-4080-PCS
AP40-4080-SET 40系列4080 成套供货	4xAA	1289	GC-40-4080-SET
AP45-4545-PCS 45系列4545 单个供货		950	GC-45-4545-PCS
AP45-4545-SET 45系列4545 成套供货	4xAA	1022	GC-45-4545-SET
AP45-4590-PCS 45系列4590 单个供货		1455	GC-45-4590-PCS
AP45-4590-SET 45系列4590 成套供货	4xAA	1455	GC-45-4590-SET

Floor Elements

地面组件

Castor Plate-Heavy

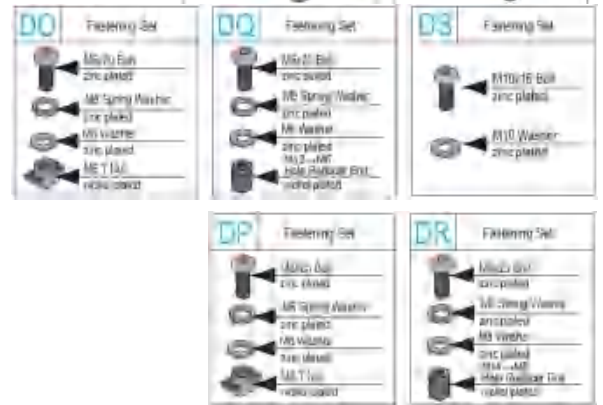
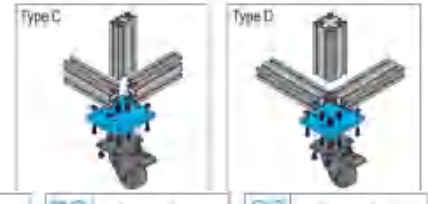
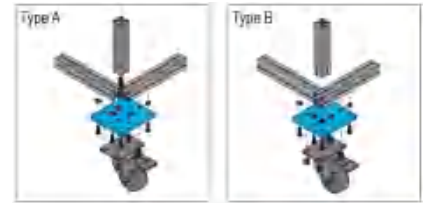
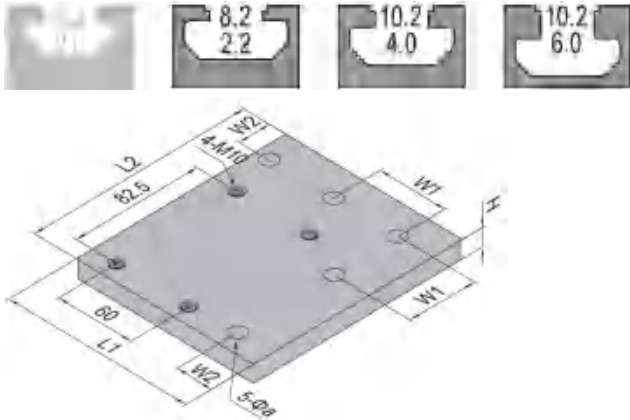
重载脚轮连接板

The castor plate is used for attaching profiles to

此脚轮连接板用于型材平面与重载脚轮的连接。

Material: zinc plated steel

材质：碳钢镀锌



Description 产品描述	AP 系列	H (mm)	L1 (mm)	L2 (mm)	W2 (mm)	W2 (mm)	0a (mm)	Fastening Set 紧固组件	Mass 重量 (g)	Code No. 产品编号
Castor Plate-Heavy A-AP30 重载脚轮连接板A型30系列	AP30	10	120	135	30	15	7	4xDO+1xDQ+4xDS	1364	CP-30-H-SETA
Castor Plate-Heavy B-AP30 重载脚轮连接板B型30系列								5xDO+4xDS	1356	CP-30-H-SETB
Castor Plate-Heavy C-AP30 重载脚轮连接板C型30系列								3xDO+2xDQ+4xDS	1372	CP-30-H-SETC
Castor Plate-Heavy D-AP30 重载脚轮连接板D型30系列								2xDO+3xDQ+4xDS	1380	CP-30-H-SETD
Castor Plate-Heavy A-AP40 重载脚轮连接板A型40系列	AP40	12	125	145	40	20	9	4xDP+1xDR+4xDS	1834	CP-40-H-SETA
Castor Plate-Heavy B-AP40 重载脚轮连接板B型40系列								5xDP+4xDS	1826	CP-40-H-SETB
Castor Plate-Heavy C-AP40 重载脚轮连接板C型40系列								3xDP+2xDR+4xDS	1842	CP-40-H-SETC
Castor Plate-Heavy D-AP40 重载脚轮连接板D型40系列								2xDP+3xDR+4xDS	1850	CP-40-H-SETD
Castor Plate-Heavy A-AP45 重载脚轮连接板A型45系列	AP45	12	135	145	45	22.5	9	4xDP+1xDR+4xDS	1969	CP-45-H-SETA
Castor Plate-Heavy B-AP45 重载脚轮连接板B型45系列								5xDP+4xDS	1972	CP-45-H-SETB
Castor Plate-Heavy C-AP45 重载脚轮连接板C型45系列								3xDP+2xDR+4xDS	1977	CP-45-H-SETC
Castor Plate-Heavy D-AP45 重载脚轮连接板D型45系列								2xDP+3xDR+4xDS	1985	CP-45-H-SETD

Floor Elements

地面组件

Castor Plate

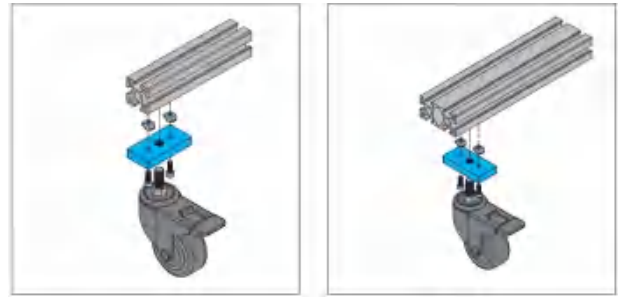
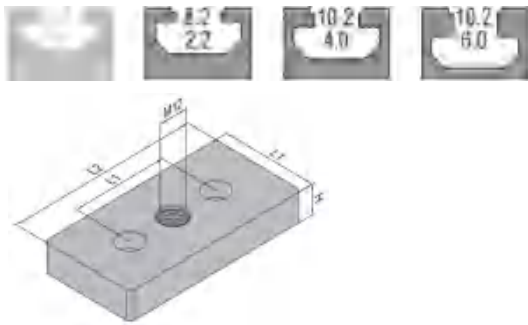
脚轮连接板

The castor plate is used for attaching profiles to the castor with thread.

此脚轮连接板用于型材平面与牙杆式脚轮的连接。

Material: zinc plated steel

材质：碳钢镀锌



Description 产品描述	AP 系列	H (mm)	L1 (mm)	L2 (mm)	Fastening Set 紧固组件	Mass 重量 (g)	Code No. 产品编号
Castor Plate-PG30 脚轮连接板-30系列	PG30	10	30	60	2xFS	162	CP-30-ST
Castor Plate-PG40 脚轮连接板-40系列	PG40	12	40	80	2xCQ	296	CP-40-ST
Castor Plate-PG45 脚轮连接板-45系列	PG45	12	45	90	2xCQ	377	CP-45-ST

When the castor is installed with this castor plate, the profile need be machined with a $\phi 12.5$ and 20mm depth hole at the corresponding position to the thread of the castor.

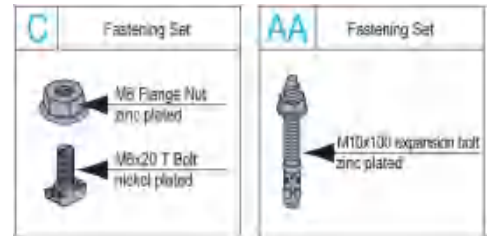
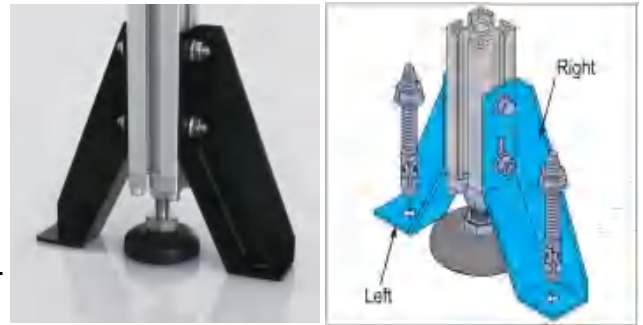
使用此方式安装脚轮时，型材对应脚轮牙杆的位置需要加工1个 $\phi 12.5$ 深20mm的孔。

Floor Elements
地面组件

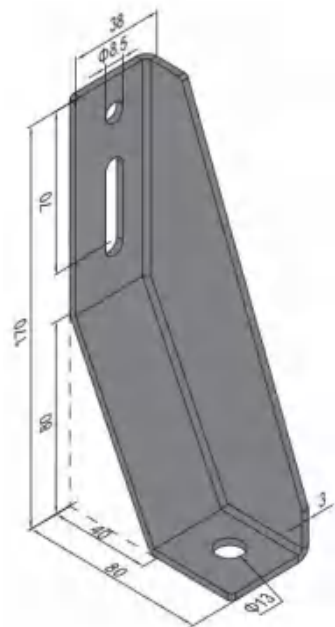
Base Angle
板支脚

To improve stability of structure supported by leveling foot.
板支脚配合支脚,有辅助支撑的作用,使框架更加稳定牢固。

Material: steel, black electrophoresis
材质: 碳钢 表面处理: 黑色电泳



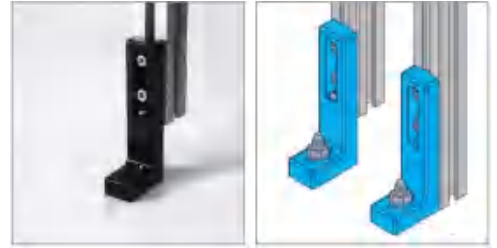
Base Angle-Left/Right
板支脚-左/右



Description 产品描述	Fastening Set 紧固组件	Mass 重量 (g)	Code No. 产品编号
Base Angle-Left (pcs) 板支脚-左 (单个供货)		346	BA-L-PCS
Base Angle-Left (set) 板支脚-左 (成套供货)	2xC+1xAA	473	BA-L-ST
Base Angle-Right (pcs) 板支脚-右 (单个供货)		346	BA-R-PCS
Base Angle-Right (set) 板支脚-右 (成套供货)	2xC+1xAA	473	BA-R-ST
Base Angle-L+R (pair) 板支脚-左+右 (成对供货)		692	BA-LR-P
Base Angle-L+R (set) 板支脚-左+右 (成对成套供货)	4xC+2xAA	946	BA-LR-ST

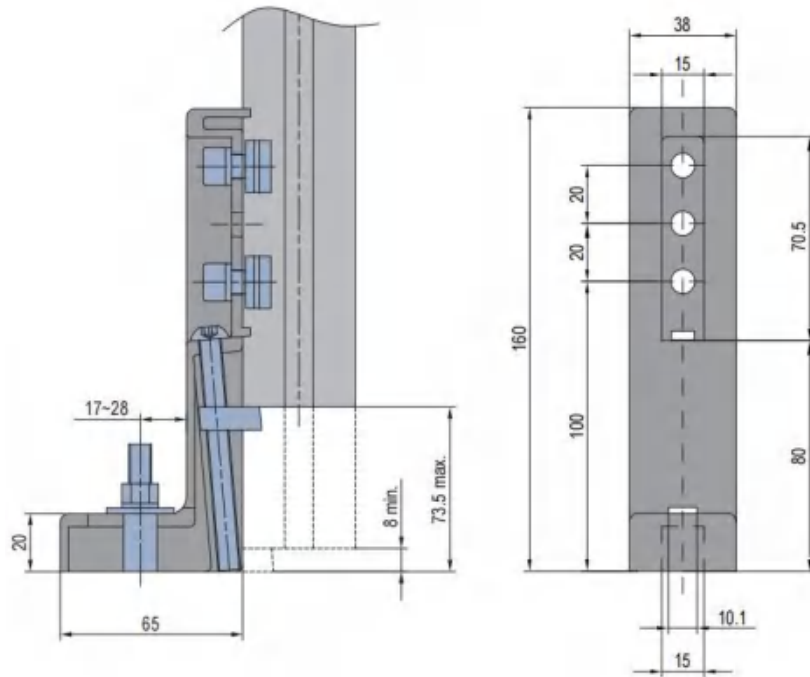
Floor Elements
地面组件

L Base
L 形支脚



L base is to fix the profile on the floor and adjust the height of the profile to the floor.
L 形支脚可将型材紧固于地面上，并可调节型材距离地面的高度。

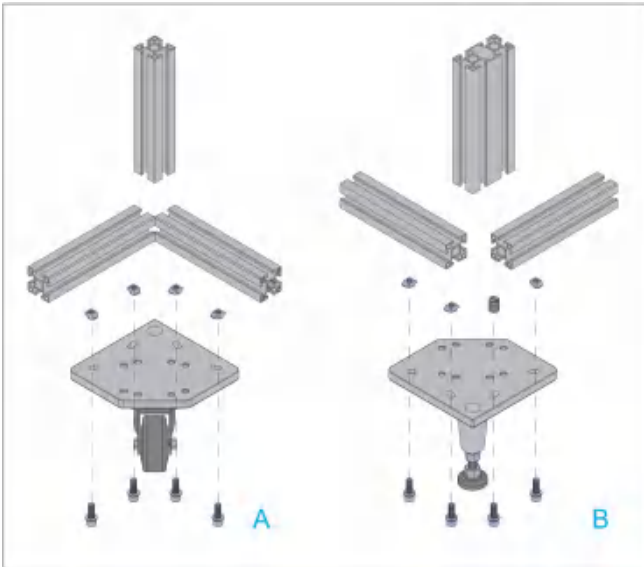
Material: diecast aluminum, black electrophoresis
材质：压铸铝合金 表面处理：黑色电泳



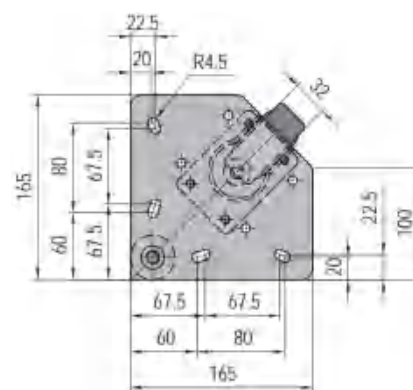
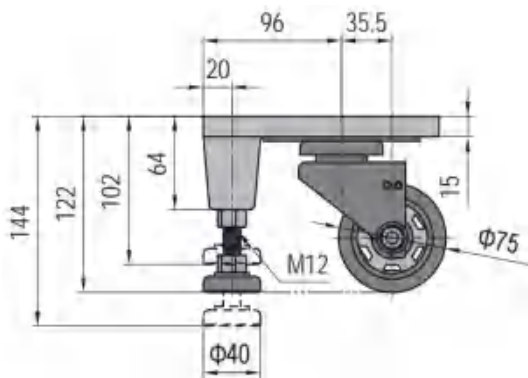
Description 产品描述	Fastening Set 紧固组件	Mass 重量 (g)	Code No. 产品编号
L Base (pcs) L 形支脚 (单个供货)		276	LB-10-PCS
L Base-PG40 (set) L 形支脚-40系列 (成套供货)	2xDI+1xDN	343	LB-10-ST
L Base-PG45 (set) L 形支脚-45系列 (成套供货)	2xDM+1xDN	346	LB-10-06-ST

Floor Elements
地面组件

Foot and Castor Components
支脚万向轮组



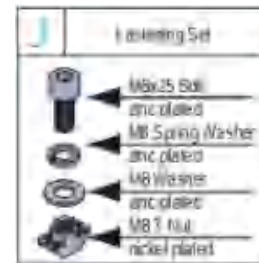
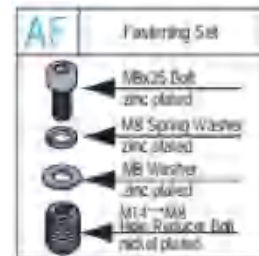
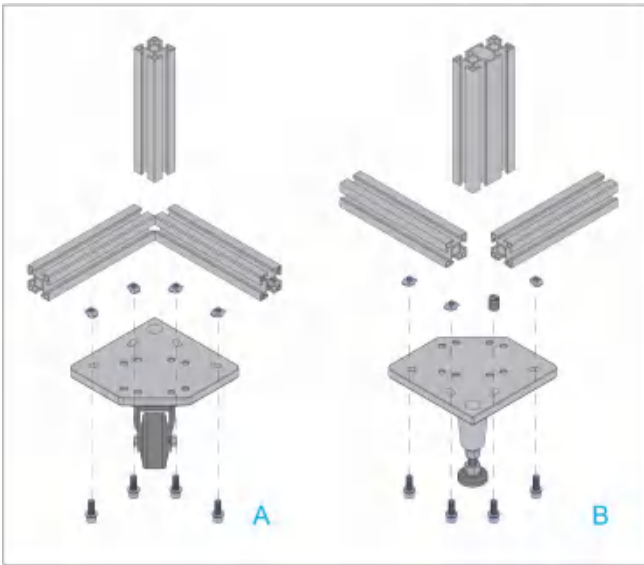
Light
轻载
Wheel-polyurethane, Foot-steel, black electrophoresis, plate-diecast aluminum
材质：轮-聚氨酯 支脚-碳钢电泳 板-压铸铝合金



Description 产品描述	Fastening Set 紧固组件	Load 载荷 (N)	Mass 重量 (g)	Code No. 产品编号
Light Weight (pcs) 支脚万向轮组件 轻载(单个供货)		1050	1780	FC-L-PCS
Light Weight (set) 支脚万向轮组件 轻载(成套供货)	4xJ		1830	FC-40-L-STA
	3xJ+1xAF		1830	FC-40-L-STB
	4xW		1830	FC-45-L-STA
	3xW+1xAG		1830	FC-45-L-STB

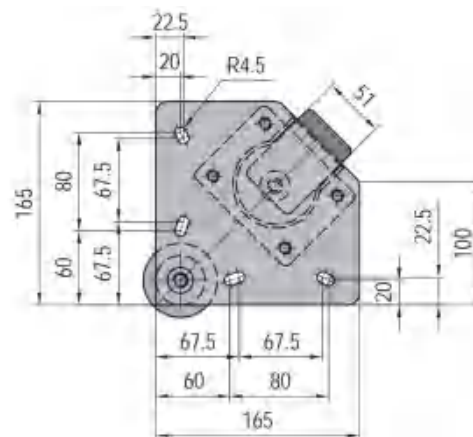
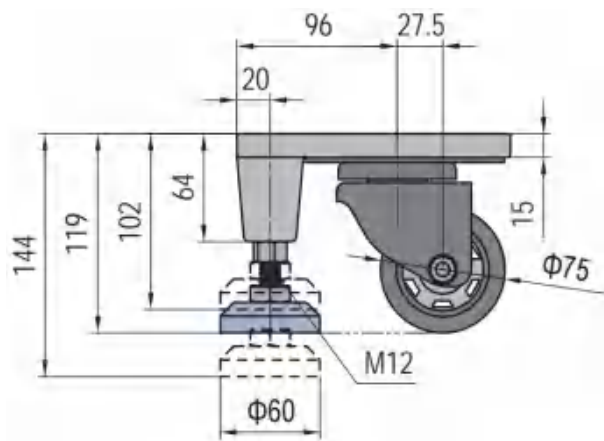
Floor Elements
地面组件

Foot and Castor Components
支脚万向轮组



Heavy
重载

Wheel-PA , Foot-zinc plated steel, plate-cast steel, silver color
材质：轮-尼龙 支脚-碳钢镀锌 板-铸钢 颜色：板-银色



Description 产品描述	Fastening Set 紧固组件	Load 载荷 (N)	Mass 重量 (g)	Code No. 产品编号
Heavy Weight (pcs) 支脚万向轮组件 重载(单个供货)		6000	4600	FC-H-PCS
Heavy Weight (set) 支脚万向轮组件 重载(成套供货)	4xJ		4650	FC-40-H-STA
	3xJ+1xAF		4650	FC-40-H-STB
	4xW		4650	FC-45-H-STA
	3xW+1xAG		4650	FC-45-H-STB



T Slot Reducing Profile
T型槽内嵌条

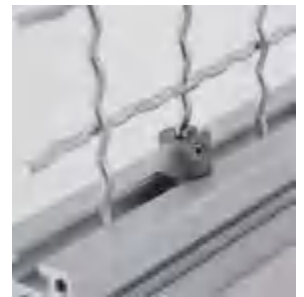
Panel Mounting Block
板夹条

Panel Mounting Strip
板夹条

Mounting Block
夹网螺母块

6

Panel Installation Elements 板材组件



Panel Installation Elements
板材组件

T Slot Reducing Profile

T型槽内嵌条

To reduce slot width for panel installation.
T型槽内嵌条用于减小槽宽，方便槽内嵌板。

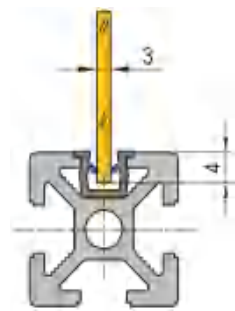
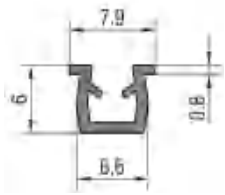
Material and colour: black PVC

材质: PVC 颜色: 黑色



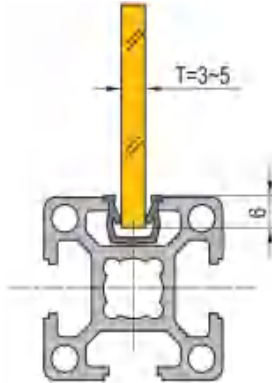
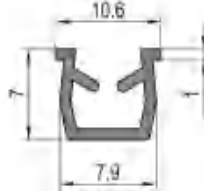
T Slot Reducing Profile-6

T型槽内嵌条-6



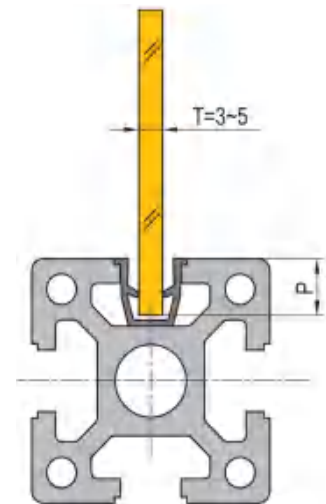
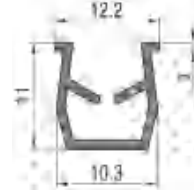
T Slot Reducing Profile-8

T型槽内嵌条-8



T Slot Reducing Profile-10

T型槽内嵌条-10



P=8



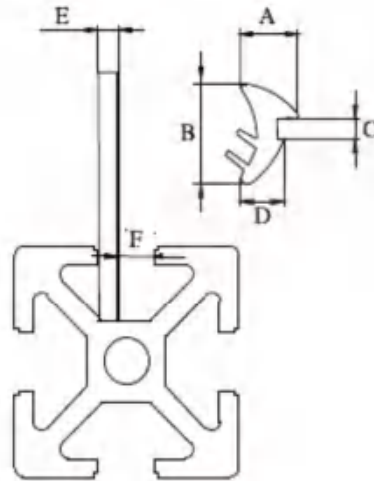
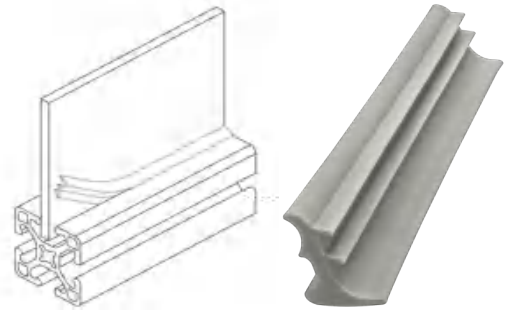
P=10

Description 产品描述	Mass 重量 (g/m)	Delivery Length 供货长度	Code No. 产品编号
T Slot Reducing Profile-6 T型槽内嵌条-6	25	2000mm/bar 2米/条	TS-6
T Slot Reducing Profile-8 T型槽内嵌条-8	51		TS-8
T Slot Reducing Profile-10 T型槽内嵌条-10	64		TS-10

Profile Accessories
型材附件

Rubber Panel Gasket
面板卡条

Material and Color: Rubber black/ grey
材质: 橡胶 颜色: 黑色/灰色



Description 产品描述	A	B	C	D	E	F	Delivery Length 供货长度	Mass 重量(g/m)	Code No. 产品编号
Rubber Panel Gasket 面板卡条	4.4	11	2.5	2.4	5	1	2000mm/bar 2米/条	33	RPG-A-1MM
Rubber Panel Gasket 面板卡条	8	12.1	2.5	5.85	5	3		45	RPG-A-3MM
Rubber Panel Gasket 面板卡条	10.65	16.9	2.5	6.7	3	5		61	RPG-A-5MM
Rubber Panel Gasket 面板卡条	12	16	2.5	9	3	7		75	RPG-A-7MM

Panel Installation Elements
板材组件

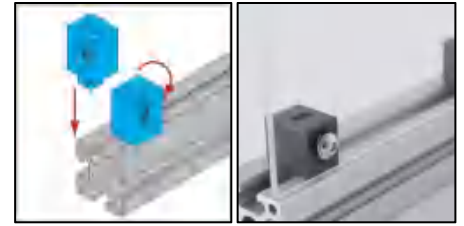
Panel Mounting Block
板夹块

The block is used to attach the panel with various thickness to the profile.

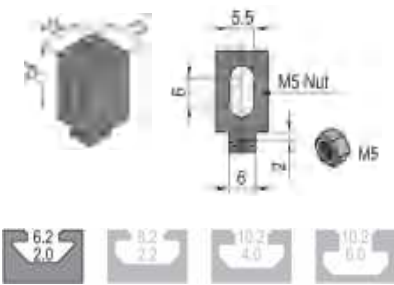
板夹块用于板材与型材的连接，不同的夹面适合不同厚度的板材。

Material and Colour :Block-black PVC Nut-stainless steel

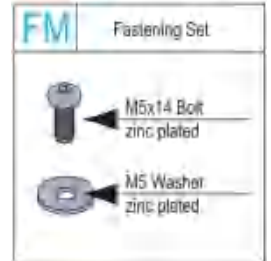
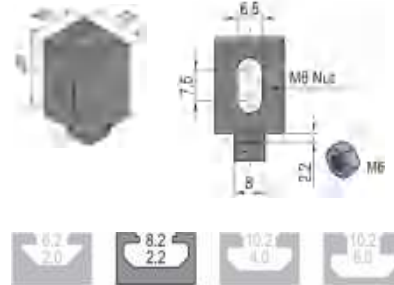
材质：夹块-PVC 螺母-不锈钢 颜色：夹块-黑色



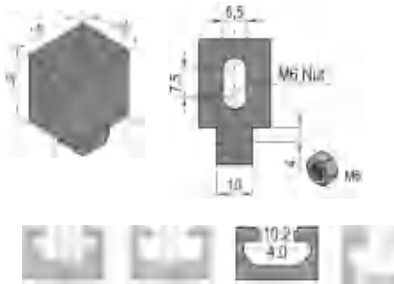
Panel Mounting Block-6
板夹块-6



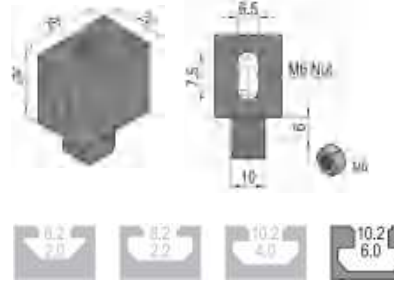
Panel Mounting Block-8
板夹块-8



Panel Mounting Block-10-4
板夹块-10-4



Panel Mounting Block-10-6
板夹块-10-6



Description 产品描述	AP 型材系列	Fastening Set 紧固组件	Mass 重量 (g)	Code No. 产品编号
Panel Mounting Block-6 (pcs) 板夹块-6 (单个供货)	AP20		4	PMB-06-PCS
Panel Mounting Block-6 (set) 板夹块-6 (成套供货)		1xFM	7	PMB-06-ST
Panel Mounting Block-8 (pcs) 板夹块-8 (单个供货)	AP30		9	PMB-08-PCS
Panel Mounting Block-8 (set) 板夹块-8 (成套供货)		1xFN	14	PMB-08-ST
Panel Mounting Block-10-4 (pcs) 板夹块-10-4 (单个供货)	AP40		16	PMB-10-04-PCS
Panel Mounting Block-10-4 (set) 板夹块-10-4 (成套供货)		1xFP	24	PMB-10-04-ST
Panel Mounting Block-10-6 (pcs) 板夹块-10-6 (单个供货)	AP45		20	PMB-10-06-PCS
Panel Mounting Block-10-6 (set) 板夹块-10-6 (成套供货)		1xFP	29	PMB-10-06-ST

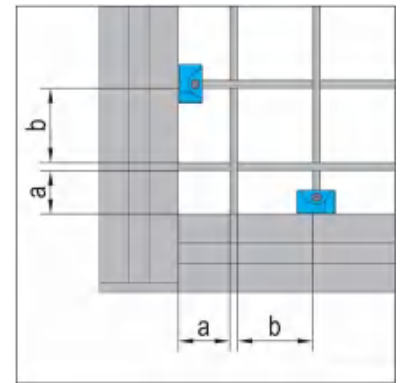
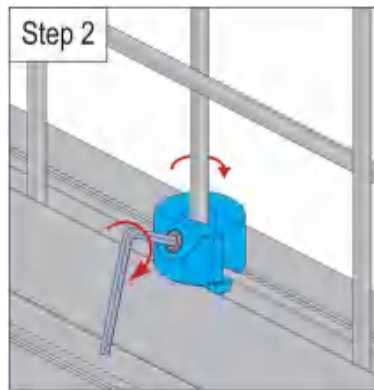
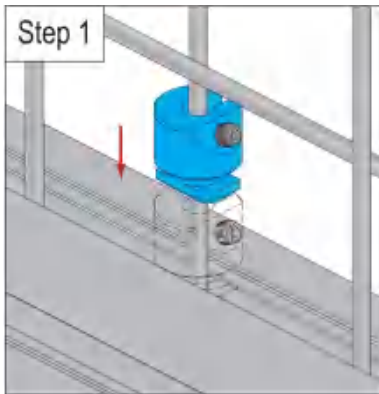
Panel Installation Elements
板材组件

Mounting Block
夹网螺母块

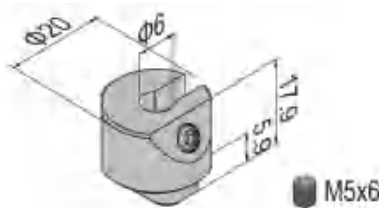
Mounting block is used for fixing the mesh of $\phi 4$ to the standard profile, which has a better physical property.

夹网螺母块适用于网丝直径为4mm的焊接网和编织网的固定，拥有较强的连接强度。

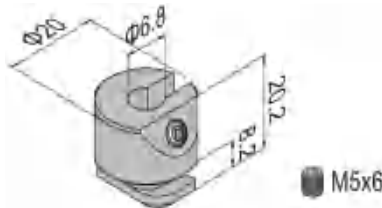
Material: diecast zinc
材质：压铸锌合金



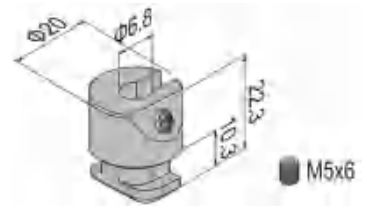
Mounting block -8
夹网螺母块-8



Mounting block -10-4
夹网螺母块-10-4



Mounting block -10-6
夹网螺母块-10-6



Description 产品描述	AP 型材系列	Mass 重量 (g)	Code No. 产品编号
Mounting block-8 (with top thread) 夹网螺母块-8 (含凹端顶丝)	AP30	19	MB-08
Mounting block-10-4 (with top thread) 夹网螺母块-10-4 (含凹端顶丝)	AP40	21	MB-10-04
Mounting block-10-6 (with top thread) 夹网螺母块-10-6 (含凹端顶丝)	AP45	23	MB-10-06

Note: The distance (a) between the nearest meshes and profiles have to be more than 20mm and less than b+5mm (b is the distance of the meshes). And the optimum distance between mounting blocks is 300mm to ensure the structure intensity.

备注：1. 网丝与型材间距a需满足 $20\text{mm} < a < b + 5\text{mm}$ （b为该网的网格距离尺寸），建议螺母块安装间距300mm以确保安装强度。

2. 网丝直径 $< 4\text{mm}$ 时使用M5x8的紧定螺钉；

3. 网丝直径 $\geq 4\text{mm}$ 时使用M5x6的紧定螺钉。

Panel Installation Elements
板材组件

Single Panel Retainers
单向面板固定件

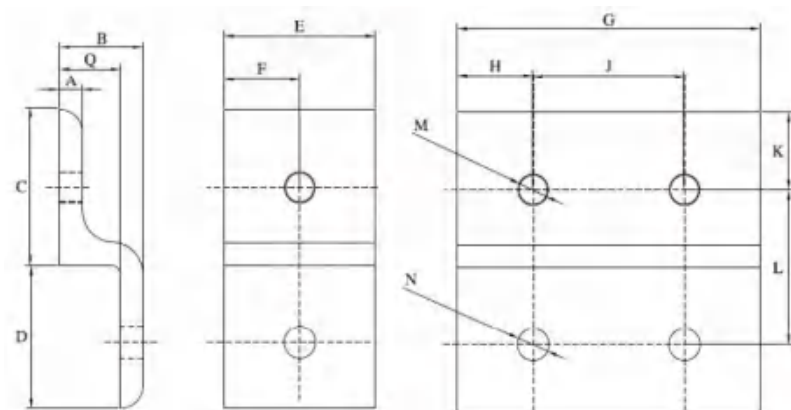


20,30,40 and 45 series compatible. Strongest method for mounting panels. Simplifies panel installation and removal.

适用于20、30、40及45系列型材，是安装面板最实用的方法，可简化面板的安装与拆卸。

Material: 6061-t5 clear anodized aluminum

材质：6061-t5 透明阳极氧化铝



Description 产品描述	A	B	C	D	E	F	G	H	Q	J	K	L	M	N	Mass 重(g)	Code No. 产品编号
Single Panel Retainers 单向面板固定件	3	10.2	20	19	20	10	-	-	7.2	-	10	20	M5	φ5.6	10	SP-20-A
Single Panel Retainers 单向面板固定件	3	10.2	20	19	-	-	40	10	7.2	20	10	20	M5	φ5.6	15	SP-20-B
Single Panel Retainers 单向面板固定件	4	14.6	30	28	30	15	-	-	10.6	-	15	30	M6	φ8.3	21	SP-30-A
Single Panel Retainers 单向面板固定件	4	14.6	30	28	-	-	60	15	10.6	30	15	30	M6	φ8.3	43	SP-30-B
Single Panel Retainers 单向面板固定件	6	22	40	37	40	20	-	-	16	-	20	40	M8	φ8.3	56	SP-40-A
Single Panel Retainers 单向面板固定件	6	22	40	37	-	-	80	20	16	40	20	40	M8	φ8.3	120	SP-40-B
Single Panel Retainers 单向面板固定件	6	23.3	45	42	45	22.5	-	-	17.3	-	23	45	M8	φ8.3	80	SP-45-A
Single Panel Retainers 单向面板固定件	6	23.3	45	42	-	-	90	22.5	17.3	45	23	45	M8	φ8.3	150	SP-45-B

Panel Installation Elements
板材组件

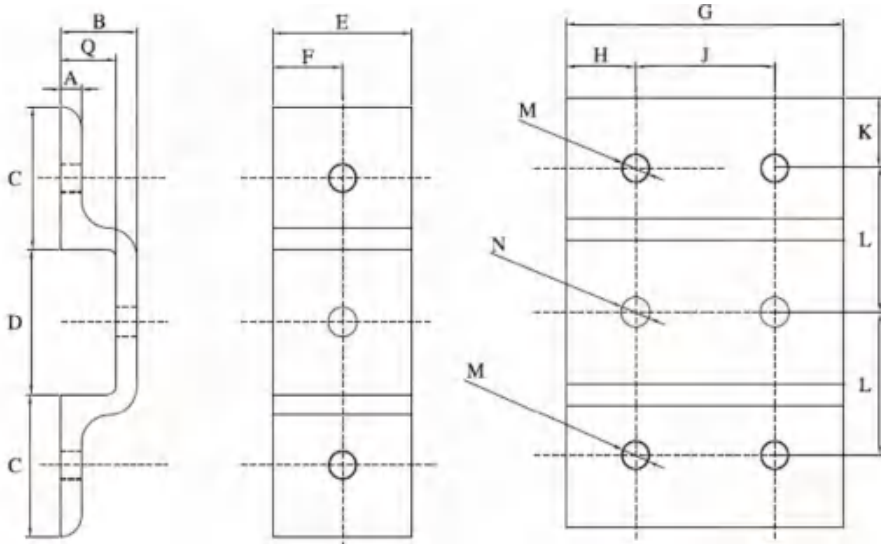
Double Panel Retainers
双向面板固定件

20,30,40 and 45 series compatible. Simplifies panel installation and removal.

适用于20、30、40及45系列型材，可简化面板的安装与拆卸。

Material: 6061-t5 clear anodized aluminum

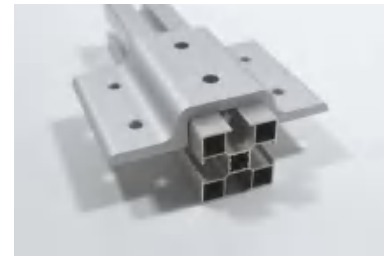
材质：6061-t5 透明阳极氧化铝



C



D

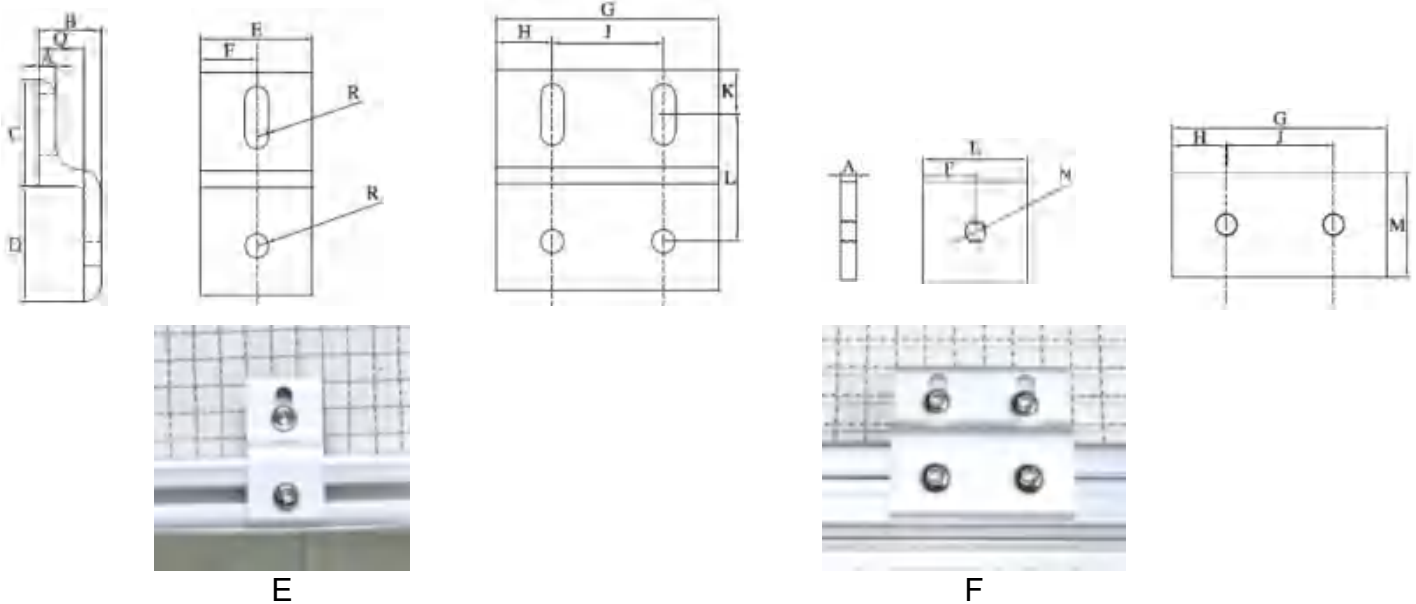
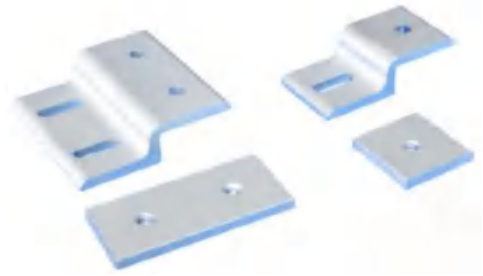


Description 产品描述	A	B	C	D	E	F	G	H	Q	J	K	L	M	N	Mass 重(g)	Code No. 产品编号
Double Panel Retainers 双向面板固定件	3	10.2	20	20.6	20	10	-	-	7.2	-	10	20.3	M5	φ5.5	20	DP-20C
Double Panel Retainers 双向面板固定件	3	10.2	20	20.6	-	-	40	10	7.2	20	10	20.3	M5	φ5.5	22	DP-20D
Double Panel Retainers 双向面板固定件	4	14.6	30	30.6	30	15	-	-	10.6	-	15	30.3	M6	φ8.3	34	DP-30C
Double Panel Retainers 双向面板固定件	4	14.6	30	30.6	-	-	60	15	10.6	30	15	30.3	M6	φ8.3	70	DP-30D
Double Panel Retainers 双向面板固定件	6	22	40	40.6	40	20	-	-	16	-	20	40.3	M8	φ8.3	100	DP-40C
Double Panel Retainers 双向面板固定件	6	22	40	40.6	-	-	80	20	16	40	20	40.3	M8	φ8.3	190	DP-40D
Double Panel Retainers 双向面板固定件	6	23.3	45	45.6	45	22.5	-	-	17.3	-	23	45.3	M8	φ8.3	120	DP-45C
Double Panel Retainers 双向面板固定件	6	23.3	45	45.6	-	-	90	22.5	17.3	45	23	45.3	M8	φ8.3	240	DP-45D

Panel Installation Elements
板材组件

Single Mesh Panel Retainers
单向网片固定件

Material: 6061-t5 clear anodized aluminum
材质: 6061-t5 透明阳极氧化铝

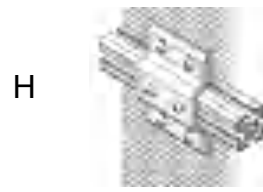
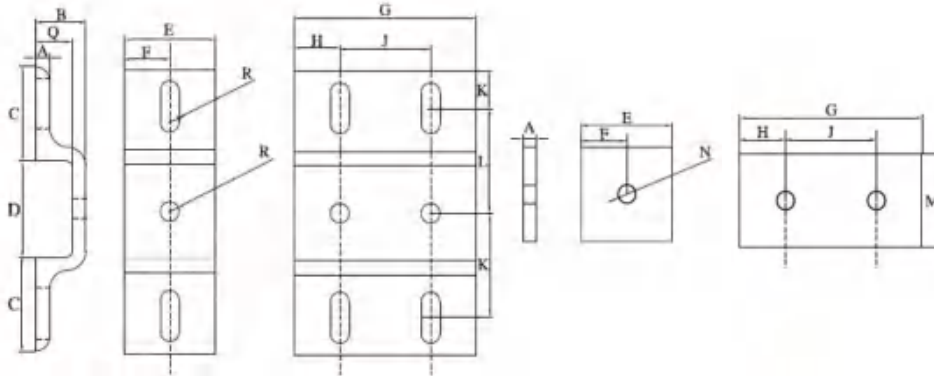


Description 产品描述	A	B	C	D	E	F	G	H	I	J	K	L	M	N	R	Mass 重(g)	Code No. 产品编号
Single Mesh Panel Retainers 单向网片固定件	3	10.2	20	19	20	10	-	-	7.2	-	8.5	22	18	M5	5.5	10	SMP-20E
Single Mesh Panel Retainers 单向网片固定件	3	10.2	20	19	-	-	40	10	7.2	20	8.5	22	18	M5	5.5	21	SMP-20F
Single Mesh Panel Retainers 单向网片固定件	4	14.6	30	28	30	15	-	-	10.6	-	13	32.5	28	M6	6.5	29	SMP-30E
Single Mesh Panel Retainers 单向网片固定件	4	14.6	30	28	-	-	60	15	10.6	30	13	32.5	28	M6	6.5	57	SMP-30F
Single Mesh Panel Retainers 单向网片固定件	6	22	40	37	40	20	-	-	16	-	15.6	44.6	38	M8	8.3	78	SMP-40E
Single Mesh Panel Retainers 单向网片固定件	6	22	40	37	-	-	80	20	16	40	15.6	44.6	38	M8	8.3	160	SMP-40F
Single Mesh Panel Retainers 单向网片固定件	6	23.3	45	42	45	22.5	-	-	17.3	-	20	48.5	42	M8	8.3	100	SMP-45E
Single Mesh Panel Retainers 单向网片固定件	6	23.3	45	42	-	-	90	22.5	17.3	45	20	48.5	42	M8	8.3	200	SMP-45F

Panel Installation Elements
板材组件

Double Mesh Panel Retainers
双向网片固定件

Material: 6061-t5 clear anodized aluminum
材质: 6061-t5 透明阳极氧化铝



Description 产品描述	A	B	C	D	E	F	G	H	I	J	K	L	M	N	R	Mass 重(g)	Code No. 产品编号
Double Mesh Panel Retainers 双向网片固定件	3	10.2	20	20.6	20	10	-	-	7.2	-	8.5	22	18	M5	5.5	18	SMP-20G
Double Mesh Panel Retainers 双向网片固定件	3	10.2	20	20.6	-	-	40	10	7.2	20	8.5	22	18	M5	5.5	36	SMP-20H
Double Mesh Panel Retainers 双向网片固定件	4	14.6	30	30.6	30	15	-	-	10.6	-	13	32.5	28	M6	6.5	51	SMP-30G
Double Mesh Panel Retainers 双向网片固定件	4	14.6	30	30.6	-	-	60	15	10.6	30	13	32.5	28	M6	6.5	98	SMP-30H
Double Mesh Panel Retainers 双向网片固定件	6	22	40	40.6	40	20	-	-	16	-	15.6	44.6	38	M8	8.3	140	SMP-40G
Double Mesh Panel Retainers 双向网片固定件	6	22	40	40.6	-	-	80	20	16	40	15.6	44.6	38	M8	8.3	280	SMP-40H
Double Mesh Panel Retainers 双向网片固定件	6	23.3	45	45.6	45	22.5	-	-	17.3	-	20	48.5	42	M8	8.3	173	SMP-45G
Double Mesh Panel Retainers 双向网片固定件	6	23.3	45	45.6	-	-	90	22.5	17.3	45	20	48.5	42	M8	8.3	350	SMP-45H



Hinge
合页

Handle
把手

Door Lock
门搭扣

7 Door and Windows Elements

门窗组件

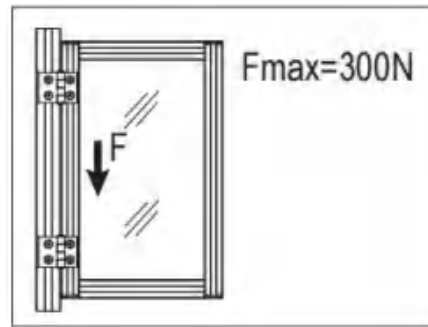
Door and Window Elements
门窗组件

Plastic Hinge

塑胶合页

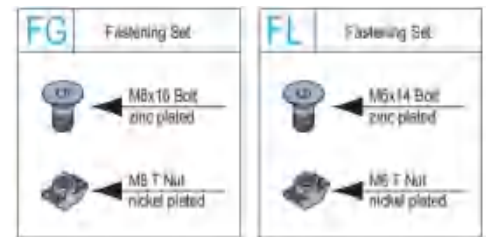
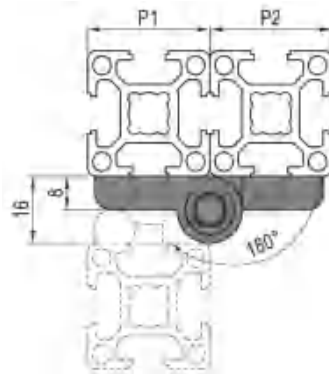
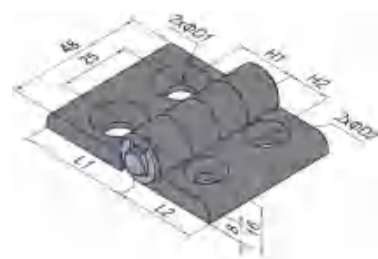
Material and Color: black PA6

材质: 增强尼龙6 颜色: 黑色



Hinge-PA6

合页-增强尼龙6



Description 产品描述	H1 (mm)	H2 (mm)	L1 (mm)	L2 (mm)	D1 (mm)	D2 (mm)	Fastening Set 紧固组件	Mass 重量 (g)	Code No. 产品编号
Plastic Hinge 30/30 (pcs) 30/30塑胶合页单个供货	15	15	28	28	6.5	6.5		39	PH-30/30-PCS
Plastic Hinge 30/30 (set) 30/30塑胶合页成套供货							4xFL	73	PH-30/30-ST
Plastic Hinge 30/40 (pcs) 30/40塑胶合页单个供货	20	15	38	28	8.5	6.5		42	PH-30/40-PCS
Plastic Hinge 30/40 (set) 30/40塑胶合页成套供货							2xFG+2xFL	88	PH-30/40-ST
Plastic Hinge 30/45 (pcs) 30/45塑胶合页单个供货	22.5	15	43	28	8.5	6.5		44	PH-30/45-PCS
Plastic Hinge 30/45 (set) 30/45塑胶合页成套供货							2xFG+2xFL	81	PH-30/45-ST
Hinge 40/40 (pcs) 40/40塑胶合页单个供货	20	20	38	38	8.5	8.5		45	PH-40/40-PCS
Plastic Hinge 40/40 (set) 40/40塑胶合页成套供货							4xFG	108	PH-40/40-ST
Plastic Hinge 40/45 (pcs) 40/45塑胶合页单个供货	22.5	20	43	38	8.5	8.5		47	PH-40/45-PCS
Plastic Hinge 40/45 (set) 40/45塑胶合页成套供货							4xFG	110	PH-40/45-ST
Plastic Hinge 45/45 (pcs) 45/45塑胶合页单个供货	22.5	22.5	43	43	8.5	8.5		49	PH-45/45-PCS
Plastic Hinge 45/45 (set) 45/45塑胶合页 成套供货							4xFG	112	PH-45/45-ST

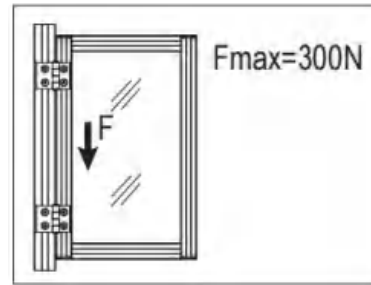
Door and Window Elements
门窗组件

Aluminum Hinge

铝合金合页

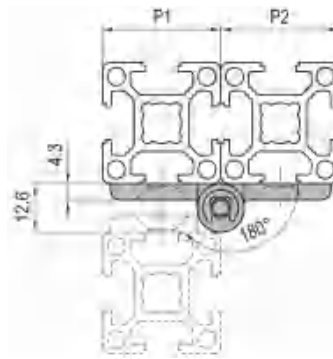
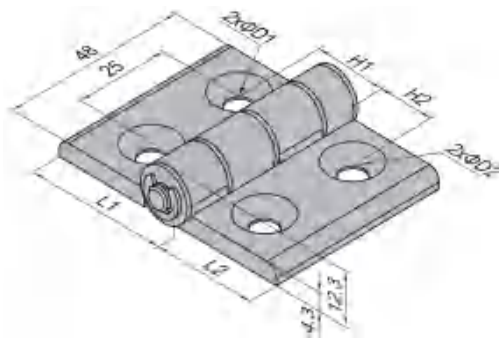
Material and Color: aluminum, nature anodized

材质: 铝合金 表面处理: 光亮氧化



Hinge-Aluminum Countersink Hole

合页-铝合金-沉孔



Description 产品描述	H1 (mm)	H2 (mm)	L1 (mm)	L2 (mm)	D1 (mm)	D2 (mm)	Fastening Set 紧固组件	Mass 重量(g)	Code No. 产品编号
Aluminum Hinge 30/30 (pcs) 30/30铝合金合页单个供货	15	15	28	28	6.5	6.5		69	AH-30/30-PCS
Aluminum Hinge 30/30 (set) 30/30铝合金合页成套供货							4xFF	97	AH-30/30-ST
Aluminum Hinge 30/40 (pcs) 30/40铝合金合页单个供货	20	15	38	28	8.5	6.5		74	AH-30/40-PCS
Aluminum Hinge 30/40 (set) 30/40铝合金合页成套供货							2xFF+2xFG	122	AH-30/40-ST
Aluminum Hinge 30/45 (pcs) 30/45铝合金合页单个供货	22.5	15	38	28	8.5	6.5		74	AH-30/45-PCS
Aluminum Hinge 30/45 (set) 30/45铝合金合页成套供货							2xFF+2xFG	122	AH-30/45-ST
Aluminum Hinge 40/40 (pcs) 40/40铝合金合页单个供货	20	20	38	38	8.5	8.5		81	AH-40/40-PCS
Aluminum Hinge 40/40 (set) 40/40铝合金合页成套供货							4xFG	149	AH-40/40-ST
Aluminum Hinge 40/45 (pcs) 40/45铝合金合页单个供货	22.5	20	38	38	8.5	8.5		81	AH-40/45-PCS
Aluminum Hinge 40/45 (set) 40/45铝合金合页成套供货							4xFG	149	AH-40/45-ST
Aluminum Hinge 45/45 (pcs) 45/45铝合金合页单个供货	22.5	22.5	38	38	8.5	8.5		81	AH-45/45-PCS
Aluminum Hinge 45/45 (set) 45/45铝合金合页 成套供货							4xFG	149	AH-45/45-ST

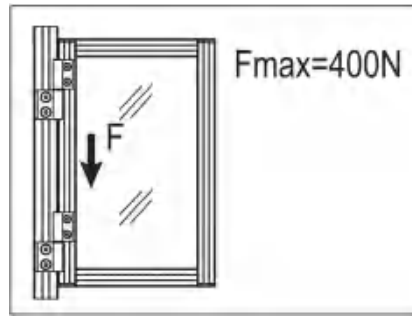
Door and Window Elements
门窗组件

Aluminum Hinge

铝合金合页

Material and Color: aluminum, nature anodized

材质: 铝合金 表面处理: 光亮氧化

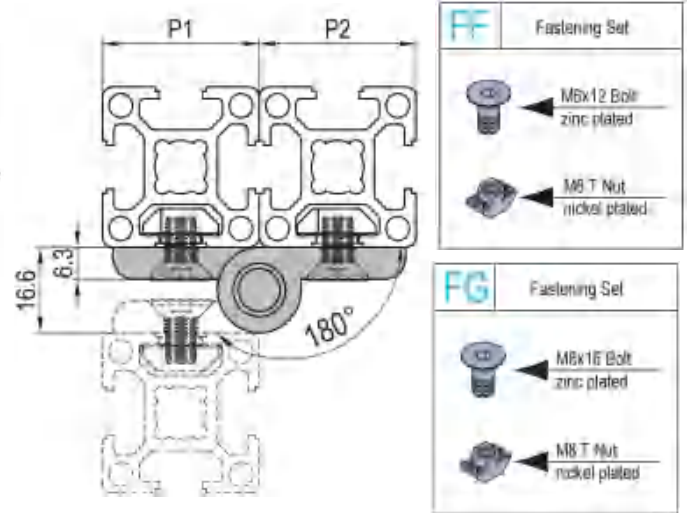
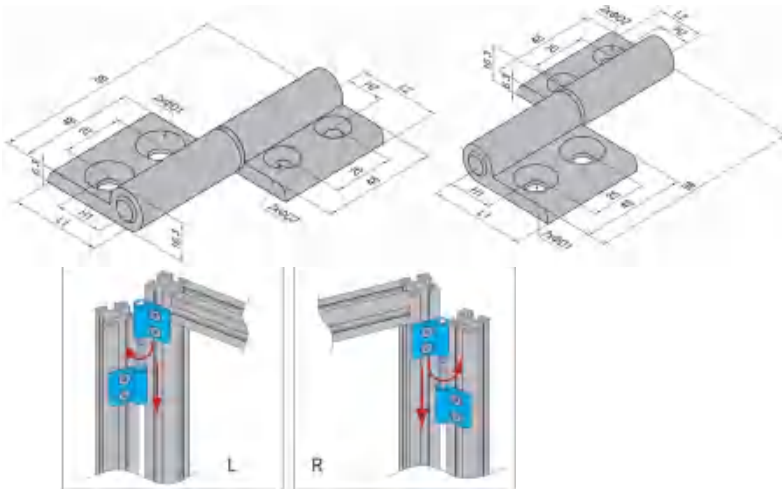


Hinge-AI Removable Hinge-L

合页-插拔合页-左开

Hinge-AI Removable Hinge-R

合页-插拔合页-右开



Description 产品描述	H1 (mm)	H2 (mm)	L1 (mm)	L2 (mm)	D1 (mm)	D2 (mm)	Fastening Set 紧固组件	Mass 重量(g)	Code No.(L) 产品编号(左开)	Code No.(R) 产品编号(右开)
Aluminum Hinge 30/30-P 30/30铝合金合页单个供货	15	15	28	28	6.5	6.5		105	AH-L-30/30-PCS	AH-R-30/30-PCS
Aluminum Hinge 30/30-S 30/30铝合金合页成套供货							4xFF	133	AH-L-30/30-ST	AH-R-30/30-ST
Aluminum Hinge 30/40-P 30/40铝合金合页单个供货	20	15	38	28	8.5	6.5		110	AH-L-30/40-PCS	AH-R-30/40-PCS
Aluminum Hinge 30/40-S 30/40铝合金合页成套供货							2xFF+2xFG	158	AH-L-30/40-ST	AH-R-30/40-ST
Aluminum Hinge 30/45-P 30/45铝合金合页单个供货	22.5	15	38	28	8.5	6.5		110	AH-L-30/45-PCS	AH-R-30/45-PCS
Aluminum Hinge 30/45-S 30/45铝合金合页成套供货							2xFF+2xFG	158	AH-L-30/45-ST	AH-R-30/45-ST
Aluminum Hinge 40/40-P 40/40铝合金合页单个供货	20	20	38	38	8.5	8.5		118	AH-L-40/40-PCS	AH-R-40/40-PCS
Aluminum Hinge 40/40-S 40/40铝合金合页成套供货							4xFG	186	AH-L-40/40-ST	AH-R-40/40-ST
Aluminum Hinge 40/45-P 40/45铝合金合页单个供货	22.5	20	38	38	8.5	8.5		118	AH-L-40/45-PCS	AH-R-40/45-PCS
Aluminum Hinge 40/45-S 40/45铝合金合页成套供货							4xFG	186	AH-L-40/45-ST	AH-R-40/45-ST
Aluminum Hinge 45/45-P 45/45铝合金合页单个供货	22.5	22.5	38	38	8.5	8.5		118	AH-L-45/45-PCS	AH-R-45/45-PCS
Aluminum Hinge 45/45-S 45/45铝合金合页成套供货							4xFG	186	AH-L-45/45-ST	AH-R-45/45-ST

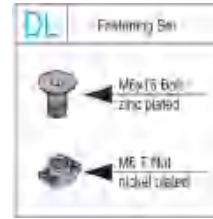
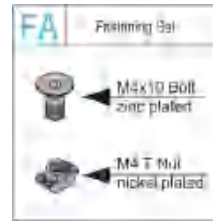
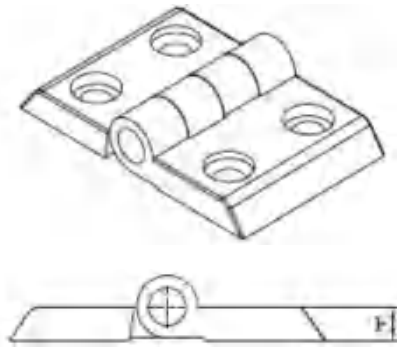
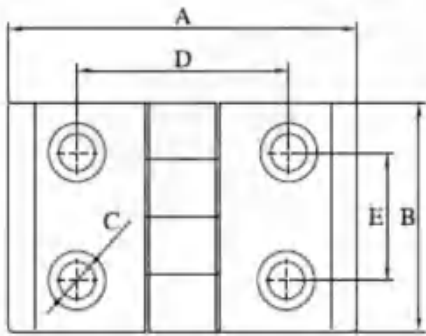
Door and Window Elements
门窗组件

Standard Hinge

铸锌合页

Material and Color: die-cast zinc, silver powder coating

材质: 铸锌 颜色: 银色



Description 产品描述	A	B	C	D	E	F	Fastening Set 紧固组件	Mass 重量(g)	Code No. 产品编号
Standard Hinge 20-PCS 20系列 铸锌合页 单个供货	40	30	φ5	21	14	4.3		22	SH-20-PCS
Standard Hinge 20-ST 20系列 铸锌合页 成套供货							4xFA	58	SH-20-ST
Standard Hinge 30-PCS 30系列 铸锌合页 单个供货	57.4	43	φ7	31	24	7		73	SH-30-PCS
Standard Hinge 30-ST 30系列 铸锌合页 成套供货							4xDL	109	SH-30-ST
Standard Hinge 30/40-PCS 30/40系列 铸锌合页 单个供货	67.4	43	φ7	41	24	7		77	SH-30/40-PCS
Standard Hinge 30/40-ST 30/40系列 铸锌合页 成套供货							4xFF	113	SH-30/40-ST
Standard Hinge 30/45-PCS 30/40系列 铸锌合页 单个供货	72.4	43	φ7	46	24	7		80	SH-30/45-PCS
Standard Hinge 30/45-ST 30/40系列 铸锌合页 成套供货							4xFF	116	SH-30/45-ST
Standard Hinge 40-PCS 40系列 铸锌合页 单个供货	62.4	43	φ7	36	24	7		81	SH-40-PCS
Standard Hinge 40-ST 40系列 铸锌合页 成套供货							4xDL	117	SH-40-ST
Standard Hinge 40/45-PCS 40/45系列 铸锌合页 单个供货	64.9	43	φ7	38.5	24	7		83	SH-40/45-PCS
Standard Hinge 40/45-ST 40/45系列 铸锌合页 成套供货							4xFF	119	SH-40/45-ST
Standard Hinge 45-PCS 45系列 铸锌合页 单个供货	69.9	43	φ7	43.5	24	7		85	SH-45-PCS
Standard Hinge 45-ST 45系列 铸锌合页 成套供货							4xDL	121	SH-45-ST

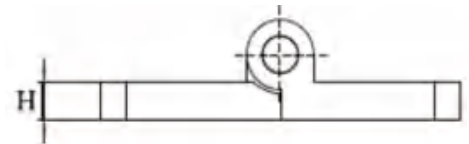
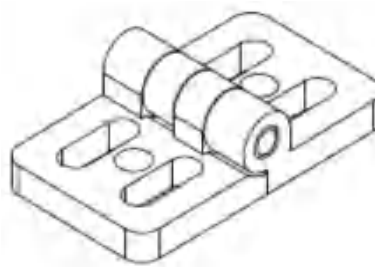
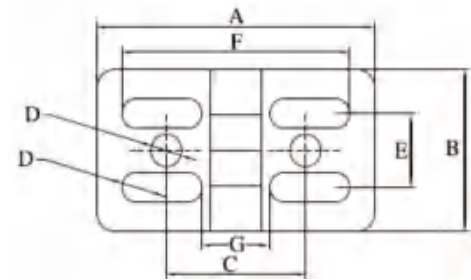
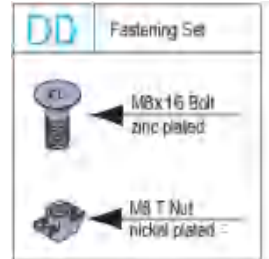
Door and Window Elements
门窗组件

Multipurpose Hinge

多用途铸锌合页

Material and Color: die-cast zinc, silver / black powder coating

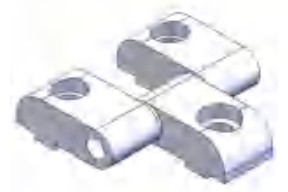
材质: 铸锌 颜色: 银色/黑色



Description 产品描述	A	B	C	D	E	F	G	H	Fastening Set 紧固组件	Mass 重量(g)	Code No. 产品编号
Multipurpose Hinge 45-PCS 45系列 多用途铸锌合页 单个	80	45	40.5	φ8.5	21	66	20	8		156	MH-45-PCS
Multipurpose Hinge 45-ST 45系列 多用途铸锌合页 成套									4xDD	192	MH-45-ST

Door and Window Elements
门窗组件

CNC Lift-Off Hinge
精加工可插拔铝合页



Material and Color: Aluminum CNC Manufacture, silvery white anodizing
材质: 铝合金 颜色: 银白色

CNC Lift-Off Hinge-E
可插拔铝合页-E式

CNC Lift-Off Hinge-L
可插拔铝合页-左开

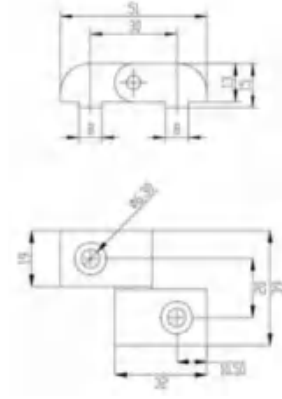
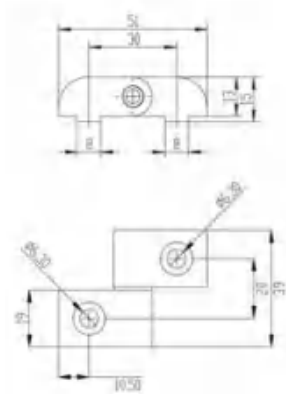
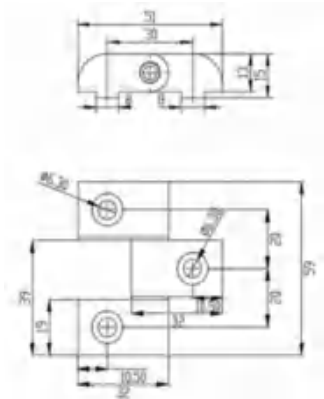
CNC Lift-Off Hinge-R
可插拔铝合页-右开



LOH-30-3030E

LOH-30-3030EL

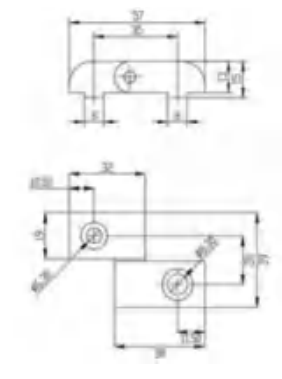
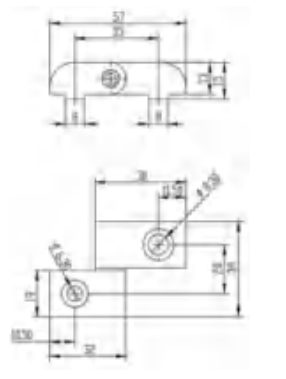
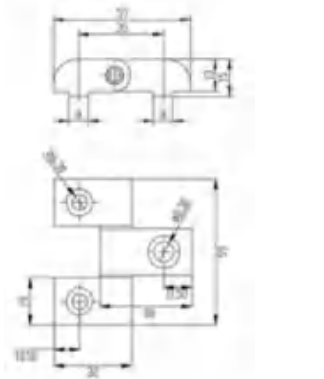
LOH-30-3030ER



LOH-30-3040E

LOH-30-3040EL

LOH-30-3040ER



Description 产品描述	Mass 重量(g)	Code No. 产品编号
CNC Lift-Off Hinge 30-3030E 精加工可插拔铝合页-30系列 3030E	61	LOH-30-3030E
CNC Lift-Off Hinge 30-3030EL 精加工可插拔铝合页-30系列 3030左开	79	LOH-30-3030EL
CNC Lift-Off Hinge 30-3030ER 精加工可插拔铝合页-30系列 3030右开	79	LOH-30-3030ER
CNC Lift-Off Hinge 30-3040E 精加工可插拔铝合页-30系列 3040E	64	LOH-30-3040E
CNC Lift-Off Hinge 30-3040EL 精加工可插拔铝合页-30系列 3040左开	85	LOH-30-3040EL
CNC Lift-Off Hinge 30-3040ER 精加工可插拔铝合页-30系列 3040右开	85	LOH-30-3040ER

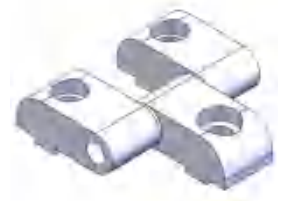
Door and Window Elements
门窗组件

CNC Lift-Off Hinge

精加工可插拔铝合页

Material and Color: Aluminum CNC Manufacture, silvery white anodizing

材质: 铝合金 颜色: 银白色

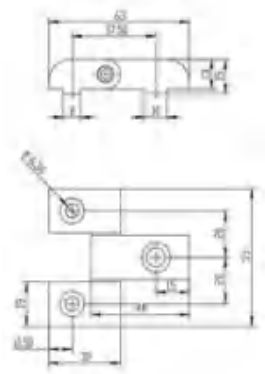


CNC Lift-Off Hinge-E

可插拔铝合页-E式



LOH-30-3045E

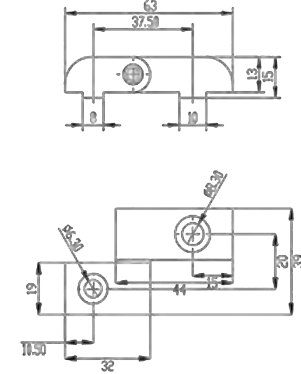


CNC Lift-Off Hinge-L

可插拔铝合页-左开



LOH-30-3045EL

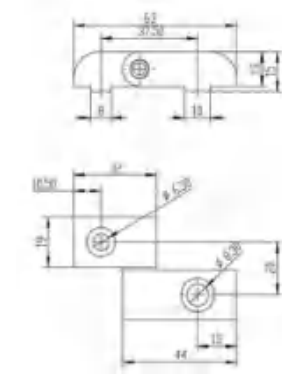


CNC Lift-Off Hinge-R

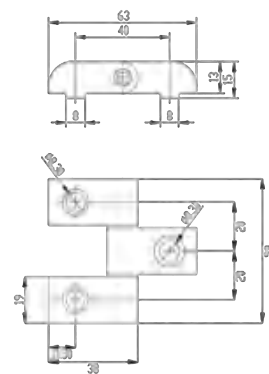
可插拔铝合页-右开



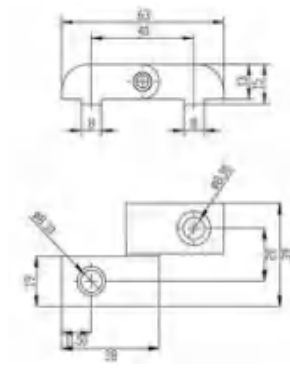
LOH-30-3045ER



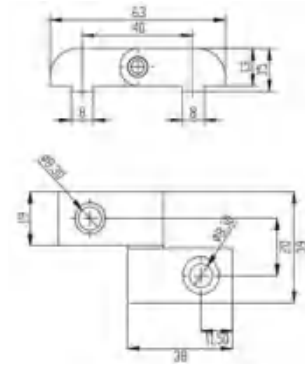
LOH-40-4040E



LOH-40-4040EL



LOH-40-4040ER



Description 产品描述	Mass 重量(g)	Code No. 产品编号
CNC Lift-Off Hinge 30-3045E 精加工可插拔铝合页-30系列 3045E	68	LOH-30-3045E
CNC Lift-Off Hinge 30-3045EL 精加工可插拔铝合页-30系列 3045左开	93	LOH-30-3045EL
CNC Lift-Off Hinge 30-3045ER 精加工可插拔铝合页-30系列 3045右开	93	LOH-30-3045ER
CNC Lift-Off Hinge 40-4040E 精加工可插拔铝合页-40系列 4040E	70	LOH-40-4040E
CNC Lift-Off Hinge 40-4040EL 精加工可插拔铝合页-40系列 4040左开	90	LOH-40-4040EL
CNC Lift-Off Hinge 40-4040ER 精加工可插拔铝合页-40系列 4040右开	90	LOH-40-4040ER

Door and Window Elements
门窗组件

CNC Lift-Off Hinge

精加工可插拔铝合页

Material and Color: Aluminum CNC Manufacture, silvery white anodizing

材质: 铝合金 颜色: 银白色



CNC Lift-Off Hinge-E

可插拔铝合页-E式

CNC Lift-Off Hinge-EL

可插拔铝合页-左开

CNC Lift-Off Hinge-R

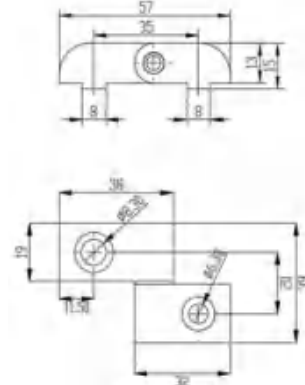
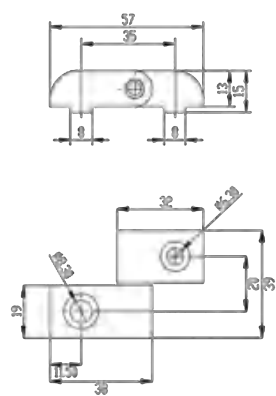
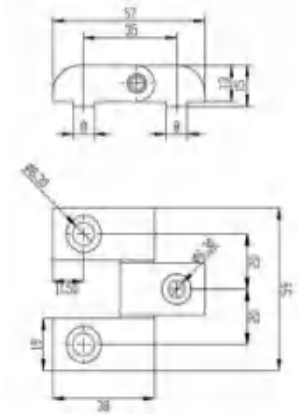
可插拔铝合页-右开



LOH-40-4030E

LOH-40-4030EL

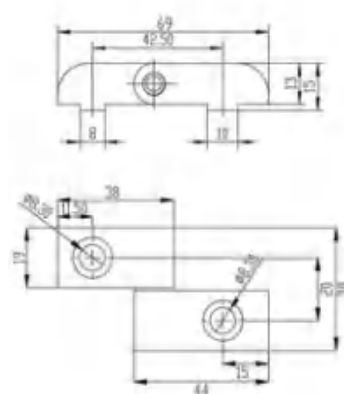
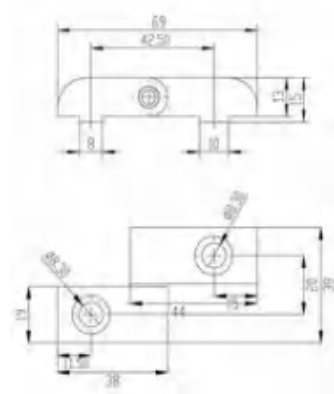
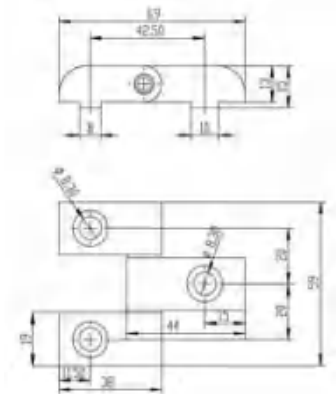
LOH-40-4030ER



LOH-40-4045E

LOH-40-4045EL

LOH-40-4045ER



Description 产品描述	Mass 重量(g)	Code No. 产品编号
CNC Lift-Off Hinge 40-4030E 精加工可插拔铝合页-40系列 4030E	67	LOH-40-4030E
CNC Lift-Off Hinge 40-4030EL 精加工可插拔铝合页-40系列 4030左开	84	LOH-40-4030EL
CNC Lift-Off Hinge 40-4030ER 精加工可插拔铝合页-40系列 4030右开	84	LOH-40-4030ER
CNC Lift-Off Hinge 40-4045E 精加工可插拔铝合页-40系列 4045E	74	LOH-40-4045E
CNC Lift-Off Hinge 40-4045EL 精加工可插拔铝合页-40系列 4045左开	98	LOH-40-4045EL
CNC Lift-Off Hinge 40-4045ER 精加工可插拔铝合页-40系列 4045右开	98	LOH-40-4045ER

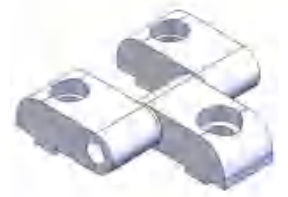
Door and Window Elements
门窗组件

CNC Lift-Off Hinge

精加工可插拔铝合页

Material and Color: Aluminum CNC Manufacture, silvery white anodizing

材质: 铝合金 颜色: 银白色

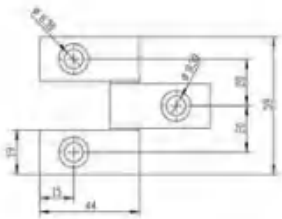
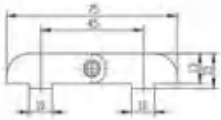


CNC Lift-Off Hinge-E

可插拔铝合页-E式



LOH-45-4545E

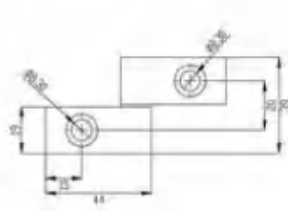
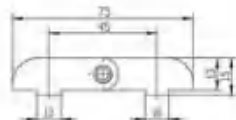


CNC Lift-Off Hinge-EL

可插拔铝合页-左开



LOH-45-4545EL

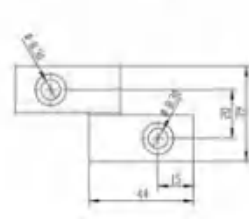
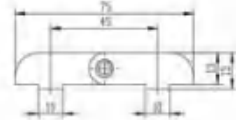


CNC Lift-Off Hinge-R

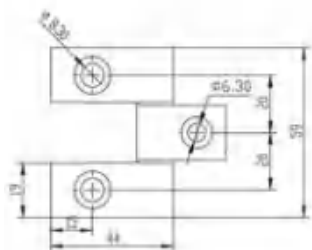
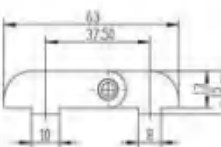
可插拔铝合页-右开



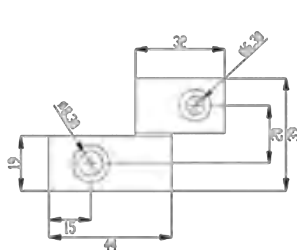
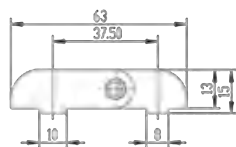
LOH-45-4545ER



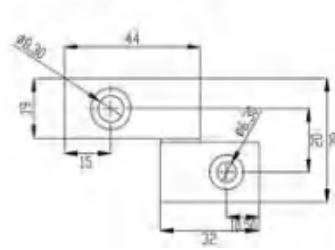
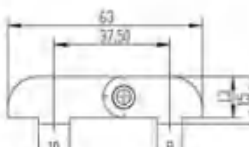
LOH-45-4530E



LOH-45-4530EL



LOH-45-4530ER



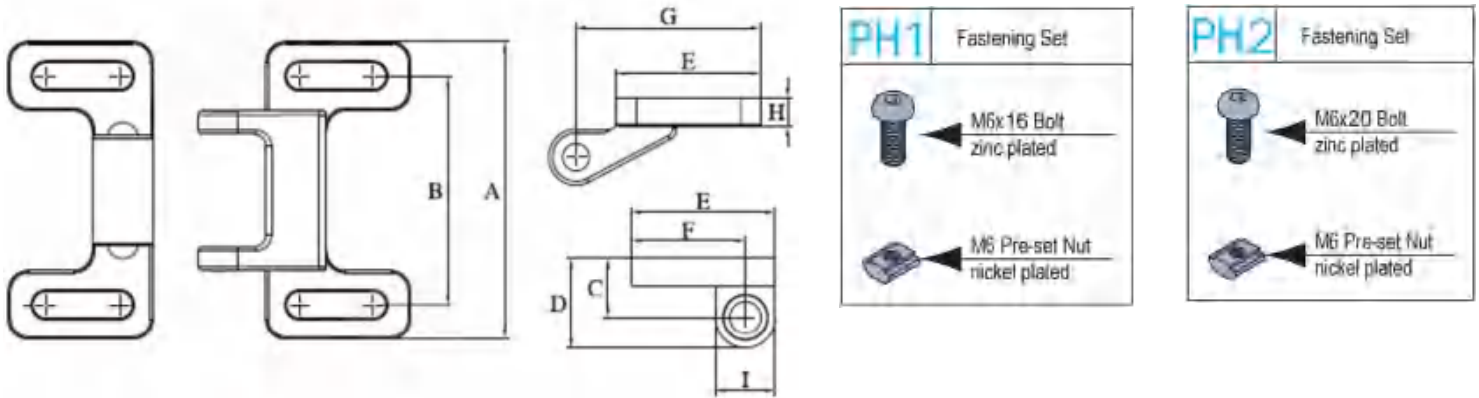
Description 产品描述	Mass 重量(g)	Code No. 产品编号
CNC Lift-Off Hinge 45-4545E 精加工可插拔铝合页-45系列 4545E	75	LOH-45-4545E
CNC Lift-Off Hinge 45-4545EL 精加工可插拔铝合页-45系列 4545左开	93	LOH-45-4545EL
CNC Lift-Off Hinge 45-4545ER 精加工可插拔铝合页-45系列 4545右开	93	LOH-45-4545ER
CNC Lift-Off Hinge 45-4530E 精加工可插拔铝合页-45系列 4530E	78	LOH-45-4530E
CNC Lift-Off Hinge 45-4530EL 精加工可插拔铝合页-45系列 4530左开	99	LOH-45-4530EL
CNC Lift-Off Hinge 45-4530ER 精加工可插拔铝合页-45系列 4530右开	99	LOH-45-4530ER

Door and Window Elements
门窗组件



Double Ball Catch
双头蝶形门碰

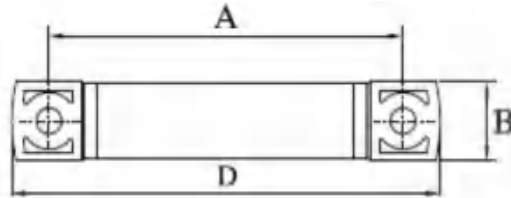
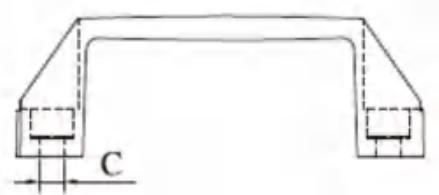
Material and Color: Fiberglass-Reinforced Nylon, Black; Stainless steel ball
材质: 尼龙; 不锈钢球 颜色: 黑色



Description 产品描述	A	B	C	D	E	F	G	H	I	Fastening Set 紧固组件	Mass 重量(g)	Code No. 产品编号
Double Ball Catch-40-PCS 40系列双头蝶形门碰 单个供货	74.2	57	14.8	22.5	37	29.3	47.4	7	15.4		39	DBC-40-PCS
Double Ball Catch-40-ST 40系列双头蝶形门碰 成套供货										4xPH1	75	DBC-40-ST
Double Ball Catch-45-PCS 45系列双头蝶形门碰 单个供货											39	DBC-45-PCS
Double Ball Catch-45-ST 45系列双头蝶形门碰 成套供货										4xPH2	75	DBC-45-ST

Door and Window Elements
 门窗组件

 Plastic Handles
 尼龙把手

 Material and Color: PV6, Black
 材质: 尼龙 颜色: 黑色


Description 产品描述	A	B	C	D	Mass 重量(g)	Code No. 产品编号
Plastic Door Handles-90mm 尼龙把手-90mm	85	20	φ6.5	109	27	PH-90
Plastic Door Handles-115mm 尼龙把手-115mm	113	25	φ6.5	135	27	PH-115
Plastic Door Handles-120mm 尼龙把手-120mm	118	25	φ8.5	150	42.5	PH-120
Plastic Door Handles-160mm 尼龙把手-160mm	163	26	φ6.5	293.5	70	PH-160
Plastic Door Handles-180mm 尼龙把手-180mm	178	28.5	φ8.5	200	79	PH-180

Door and Window Elements

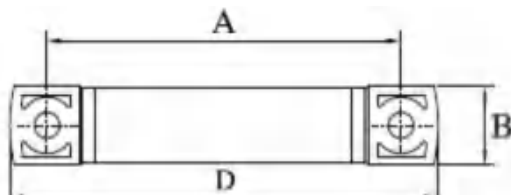
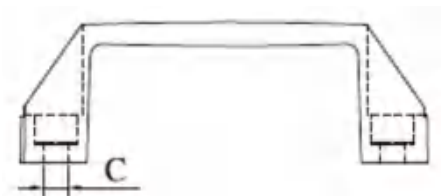
门窗组件

Aluminum Handles

铝合金把手

Material and Color: Aluminum , Black or Silver

材质：铝合金 颜色：黑色/银色



Description 产品描述	A	B	C	D	Mass 重量(g)	Code No. 产品编号
Aluminum Door Handles-90mm 铝合金把手-90mm	90	19.5	φ6.5	109	47	AH-90
Aluminum Door Handles-120mm 铝合金把手-120mm	120	25.5	φ8.5	150	83	AH-120
Aluminum Door Handles-180mm 铝合金把手-180mm	180	28.5	φ8.5	200	157	AH-180

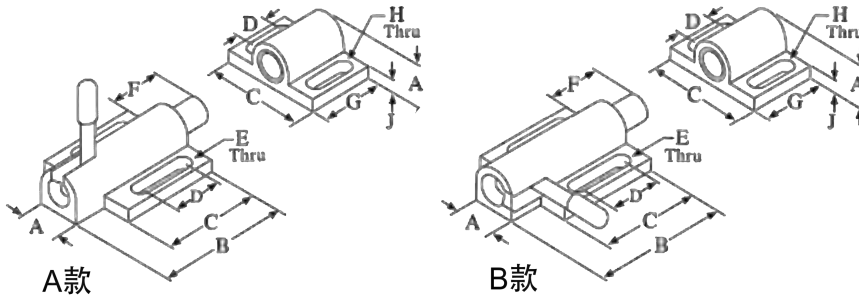
Door and Window Elements
门窗组件

Deadbolt Latch

插销

Material and Color: Aluminum , Silvery

材质：铝合金 颜色：银色



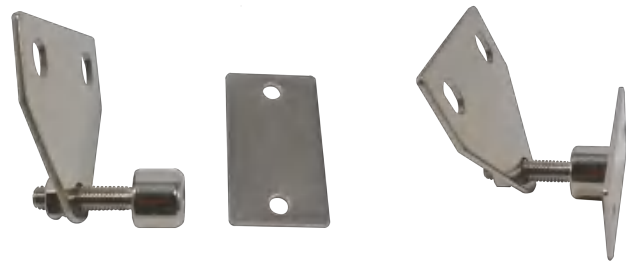
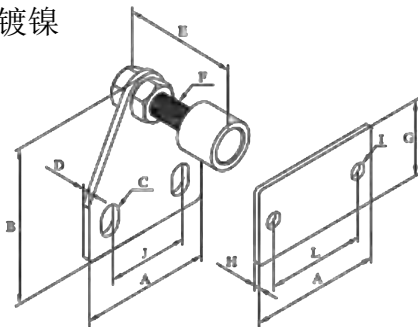
Description 产品描述	A	B	C	D	E	F	G	H	J	Mass 重量(g)	Code No. 产品编号
Deadbolt Latch 40A-PCS 插销 40A-单个供货	15.9	51	38	12.9	6.3	14	25	6.3	4.5	70	DBL-40A-PCS
Deadbolt Latch 40B-PCS 插销 40B-单个供货										70	DBL-40B-PCS

Steel Magnetic Catch

钢门吸

Material: nickel plated steel

材质：碳钢镀镍



Description 产品描述	A	B	C	D	E	F	G	H	I	J	L	Mass 重量(g)	Code No. 产品编号
Steel Magnetic Catch-PCS 门吸-单个供货	40	47.5	R3	2	37.3	M6	23	1.5	φ4.5	25	30	52	SMC-40-PCS

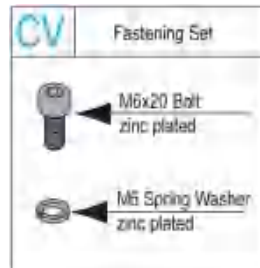
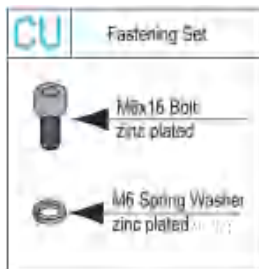
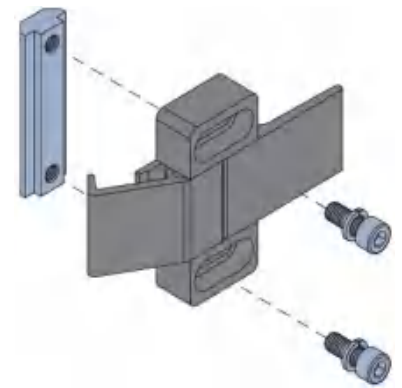
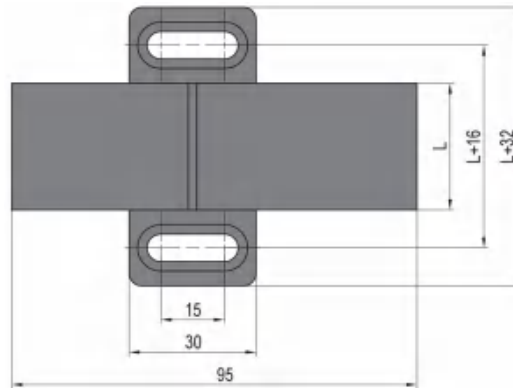
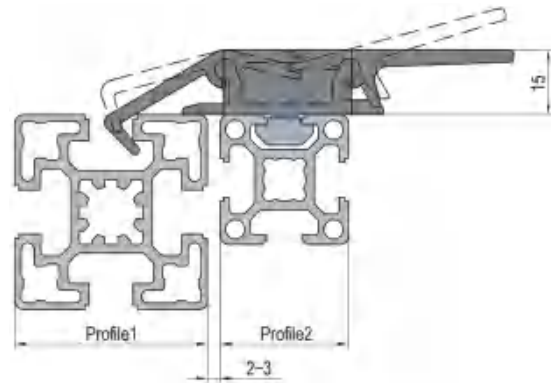
Door and Window Elements
门窗组件

Door Lock

门搭扣

Material and Color: DoorLock-black electrophoresis
Block-diecast aluminum, black

材质：固定块-压铸铝合金 表面处理：搭扣-黑色电泳 固定块-黑色电泳



Description 产品描述	Profile 1 型材1	Profile 2 型材2	L (mm)	Fastening Set 紧固组件	Mass 重量 (g)	Code No. 产品编号
Door Locks-3040 门搭扣-3040	AP40 40系列	AP30 30系列	30	2xCU+1xEP	115	DL-3040-30
Door Locks-3045 门搭扣-3045	AP45 45系列	AP30 30系列			115	DL-3045-30
Door Locks-4040 门搭扣-4040	AP40 40系列	AP40 40系列			140	DL-4040-30
Door Locks-4045 门搭扣-4045	AP45 45系列	AP40 40系列	50	2xCU+1xEP	185	DL-4045-50
Door Locks-4545 门搭扣-4545	AP45 45系列	AP45 45系列	50	2xCV+1xEP	187	DL-4545-50

Note: including block and special nut.

备注：含固定块和门搭扣专用螺母。

ex: DL - 3040 - 50

↓ L=50mm
Code No. 产品编号

Door and Window Elements
门窗组件

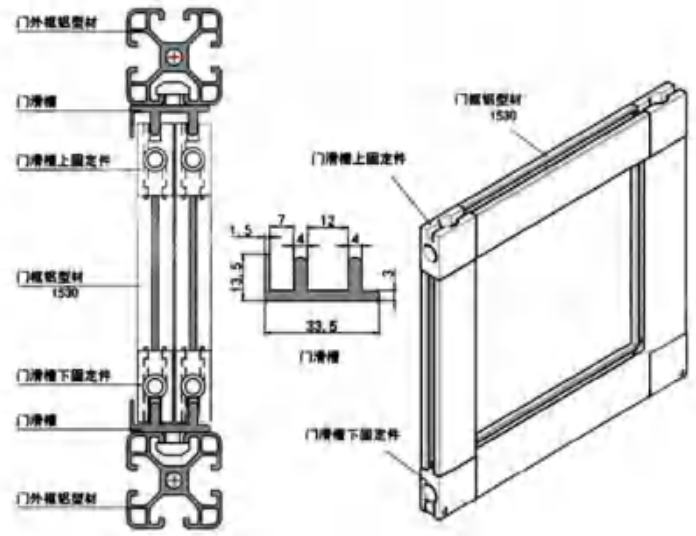
Sliding Door Profile
拉门滑道

The sliding door profile clips into profiles and is suitable for light-weight sliding doors.

拉门滑道可置入型材槽口内，只适用于轻载荷板类做水平拉门情况。

Material and Color: Sliding door profile-

材质：拉门滑道-铝合金



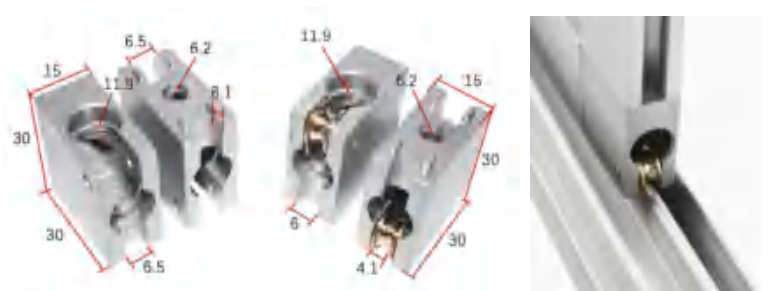
Sliding Door Profile
拉门滑道



Plastic mobile clip
塑胶走轨



Aluminum mobile clip
铝走轨



Description 产品描述	AP 型材系列	Mass 重量 (g)	Delivery Length 供货长度	Code No. 产品编号
Sliding Door Profile-30 拉门滑道-30系列	AP30	330g/m	3000mm/bar	SDP-30
Plastic mobile clip-30 塑胶走轨-30系列		23g/pcs	/	PMC-30
Aluminum mobile clip-30 铝走轨-30系列		55g/pcs	/	AMC-30
Sliding Door Profile-40 拉门滑道-40系列	AP40	450g/m	3000mm/bar	SDP-40
Plastic mobile clip-40 塑胶走轨-40系列		23g/pcs	/	PMC-40
Aluminum mobile clip-40 铝走轨-40系列		55g/pcs	/	AMC-40

Door and Window Elements
门窗组件

Connecting Block

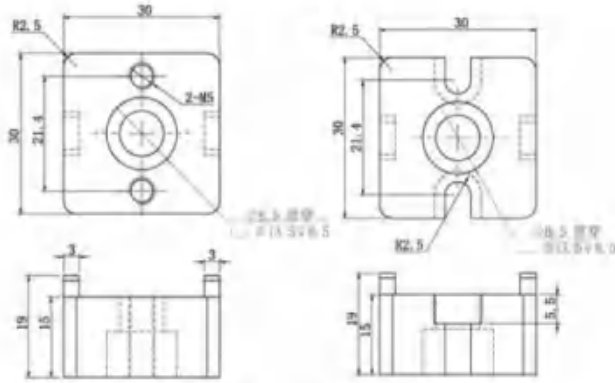
对接块

Material: Aluminum

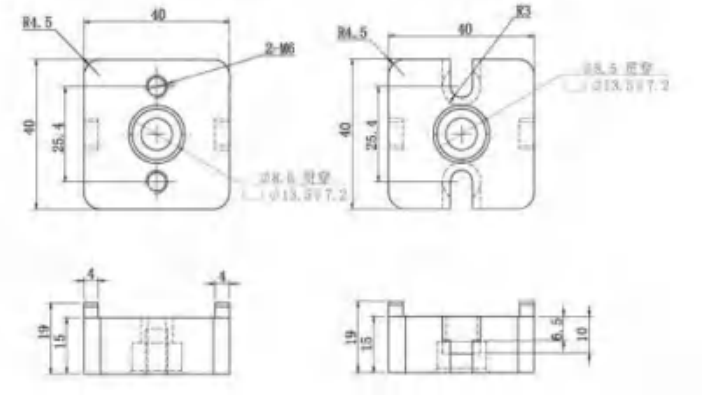
材质: 铝合金



30系列



40系列



Description 产品描述	AP 型材系列	Mass 重量 (g)	Code No. 产品编号
Connecting Block-30 对接块30系列	AP30	70	CB-30
Connecting Block-40 对接块40系列	AP40	95	CB-40



Suspended Glider
挂钩

Swivel Angle Plate
角度调节板

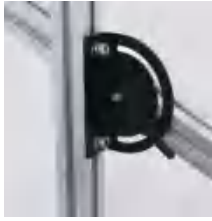
Pivot Joint
活动连接件

Convery Accessories
滚筒配件

Assembly line fittings
流水线配件

8 Additional Accessories

其他附件



Additional Accessories

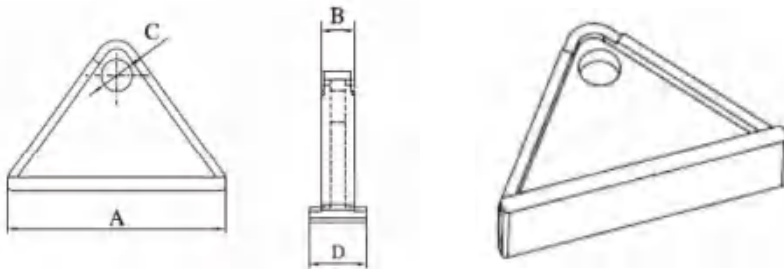
其他附件

Plastic Suspended Glider

塑胶挂钩

The glider can be suspended in profile slot.

挂钩可悬挂在型材槽内。



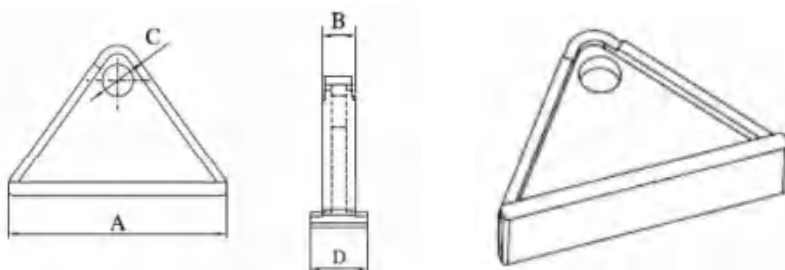
Description 产品描述	A	B	C	D	Mass 重量(g)	Code No. 产品编号
Suspended Glider-30-08 塑胶挂钩-30系列 槽8	60	5.5	φ8.5	13.8	13.5	PSG-30-08
Suspended Glider-40-08 塑胶挂钩-40系列 槽8	60	7.5	φ8.5	15.8	18	PSG-40-08
Suspended Glider-45-10 塑胶挂钩-45系列 槽10	60	9.5	φ8.5	15.8	21	PSG-45-10

Metal Suspended Glider

金属挂钩

Material and Color: nickel plated steel

材质：碳钢镀镍

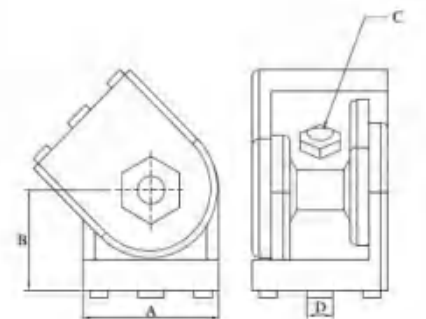


Description 产品描述	A	B	C	D	Mass 重量(g)	Code No. 产品编号
Metal Suspended Glider-30-08 金属挂钩-30系列 槽8	60	5.5	φ8.5	13.8	30	MSG-30-08
Metal Suspended Glider-40-08 金属挂钩-40系列 槽8	60	7.5	φ8.5	15.8	35	MSG-40-08
Metal Suspended Glider-45-10 金属挂钩-45系列 槽10	60	9.5	φ8.5	15.8	43	MSG-45-10

Additional Accessories
其他附件

Pivot Joint-01
活动连接件

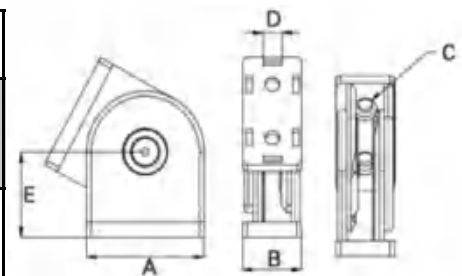
Material: zinc plated steel
材质：碳钢镀锌



Description 产品描述	A	B	C	D	Mass 重量(g)	Code No. 产品编号
Pivot Joint-01-30 活动连接件01-30系列	30	24	φ8.5	8	178	PJ01-30
Pivot Joint-01-40 活动连接件01-40系列	40	29	φ8.3	8	280	PJ01-40
Pivot Joint-01-45 活动连接件01-45系列	45	33	φ12.3	10	360	PJ01-45

Pivot Joint-02
活动连接件02

Material: zinc plated steel
材质：碳钢镀锌



Description 产品描述	A	B	C	D	E	Mass 重量(g)	Code No. 产品编号
Pivot Joint-02-20-2040 活动连接件02-20系列2040	40	20	φ6.3	6	26.5	170	PJ02-20-2040
Pivot Joint-02-30-3060 活动连接件02-30系列3060	60	30	φ8.3	8	40	550	PJ02-30-3060
Pivot Joint-02-40-4080 活动连接件02-40系列4080	80	40	φ8.3	8	50	1410	PJ0240-4080

Additional Accessories
其他附件

Swivel Angle Plate-01
角度调节板-01

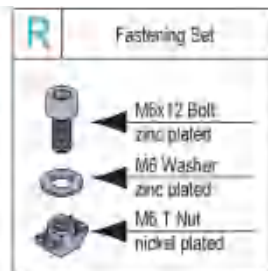
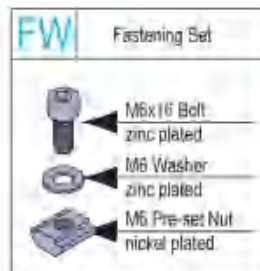
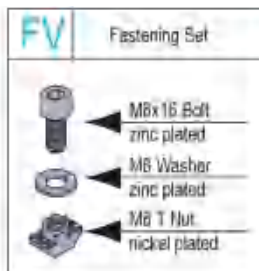
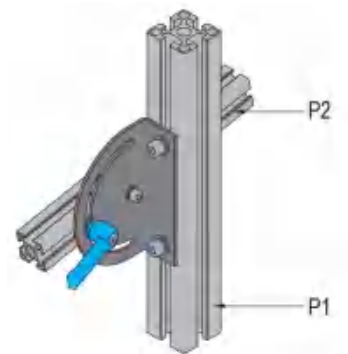
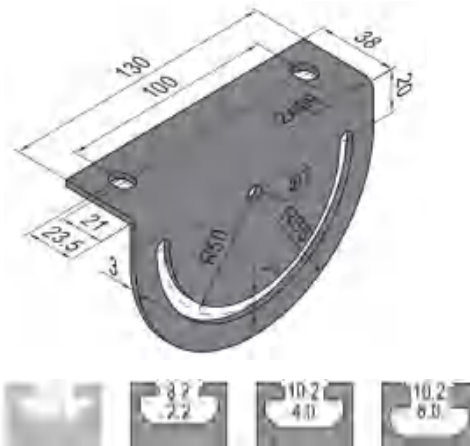
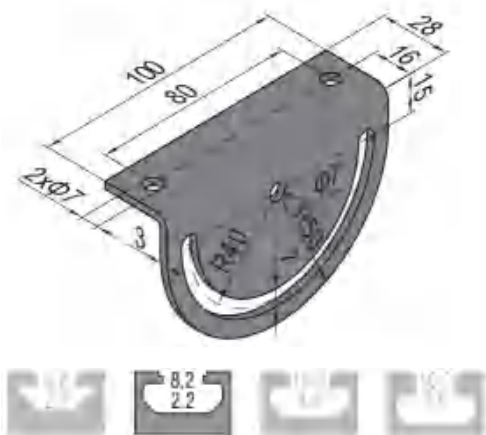
Infinitely variable adjusting of inclination with swivel angle.
角度调节板可实现型材间最大角度的调节。

Material and Color: steel, black electrophoresis
材质：碳钢 颜色：黑色电泳



Swivel Angle Plate01-AP30
角度调节板01-30系列

Swivel Angle Plate01-AP40/45
角度调节板01-40/45系列



Description 产品描述	P1	P2	Fastening Set 紧固组件	Mass 重量 (g)	Code No. 产品编号
Swivel Angle Plate01-AP30 (pcs) 角度调节板01-30系列(单个供货)				70	SAP01-30-PCS
Swivel Angle Plate01-AP30 (set) 角度调节板01-30系列(成套供货)	AP30 30系列	AP30 30系列	1xFR+1xFT+2xR	85	SAP01-30-ST
Swivel Angle Plate01-AP40/45 (pcs) 角度调节板01-40/45系列(单个供货)				83	SAP01-40-PCS
Swivel Angle Plate01-AP40/45-AP30 (set) 角度调节板01-40/45系列-30系列(成套供货)	AP40/45 40/45系列	AP30 30系列	1xFR+1xFT+2xFV	90	SAP01-40-30-ST
Swivel Angle Plate01-AP40/45-AP40/45 (set) 角度调节板01-40/45系列-40/45系列(成套供货)	AP40/45 40/45系列	AP40/45 40/45系列	1xFR+2xFV+1xFW	95	SAP01-40-40-ST

Additional Accessories
其他附件

Swivel Angle Plate-02
角度调节板-02

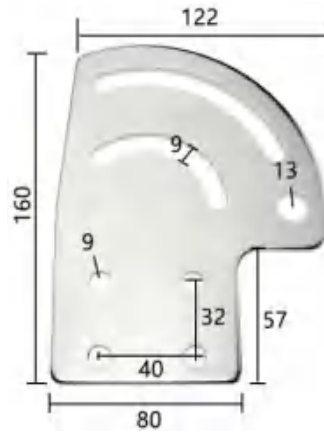
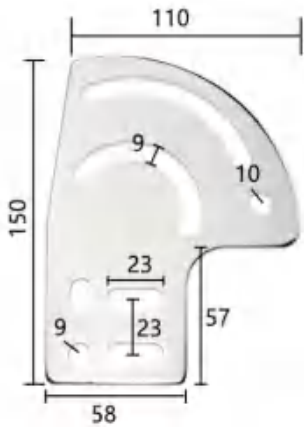
Infinitely variable adjusting of inclination with swivel angle.
角度调节板可实现型材间最大角度的调节。

Material and Color: steel
材质：碳钢



Swivel Angle Plate02-AP30-3060
角度调节板02-30系列 3060

Swivel Angle Plate02-AP40-4080
角度调节板02-40系列 4080



Description 产品描述	AP 型材系列	Mass 重量 (g)	Code No. 产品编号
Swivel Angle Plate02-AP30-3060 (pcs) 角度调节板02-30系列 3060(单个供货)	AP30	80	SAP02-30-3060-PCS
Swivel Angle Plate02-AP40-4080 (pcs) 角度调节板02-40系列 4080(单个供货)	AP40	110	SAP02-40-4080-PCS

Additional Accessories
其他附件

Swivel Angle Plate-03

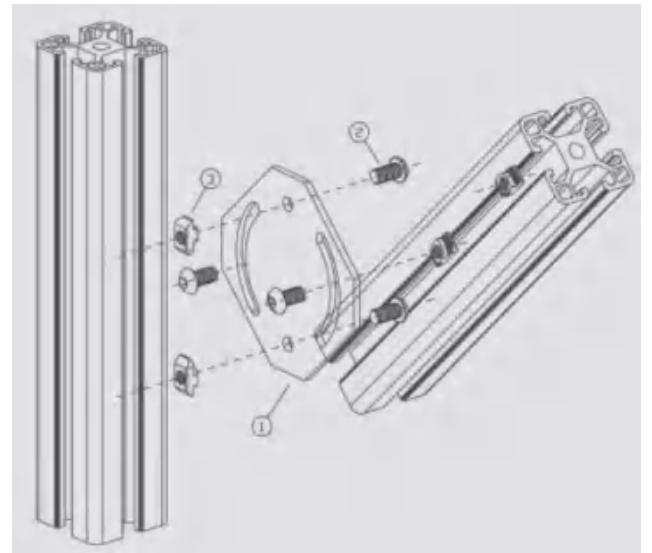
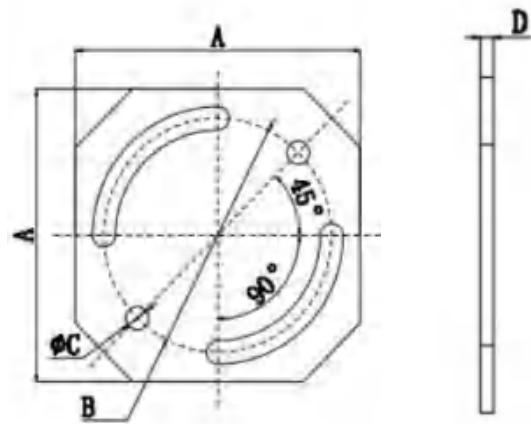
角度调节板-03

Infinitely variable adjusting of inclination with swivel angle.

角度调节板可实现型材间最大角度的调节。

Material and Color: steel

材质：碳钢



Description 产品描述	A	B	C	D	Mass 重量(g)	Code No. 产品编号
Swivel Angle Plate03-AP30-3030 角度调节板03-30系列 3030	75	60	6	2.8	89	SAP03-30-3030
Swivel Angle Plate03-AP40-4040 角度调节板03-40系列 4040	86	65	8	2.8	112	SAP03-40-4040

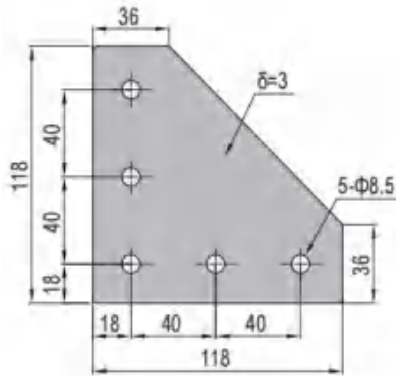
Additional Accessories
其他附件

Joining Plate
连接板

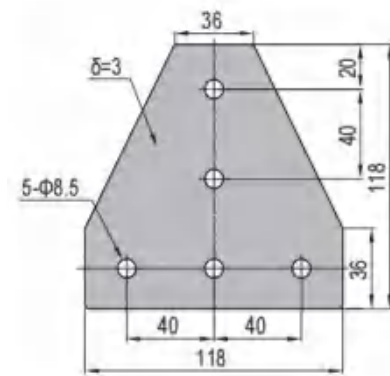
Material: zinc plated steel
材质: 碳钢镀



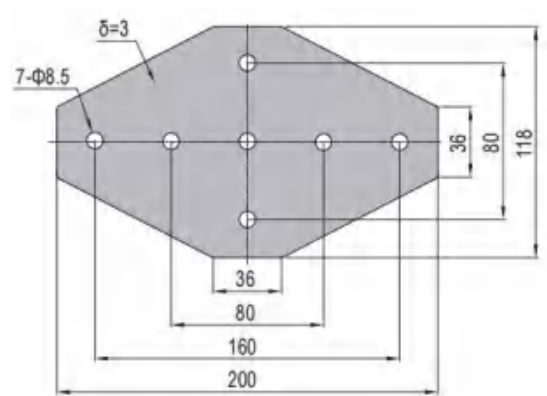
AP40-4040-04
40系列-4040-04



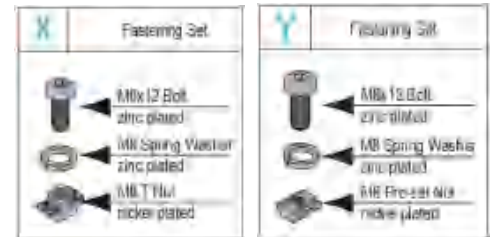
AP40-4040-05
40系列-4040-05



AP40-4040-06
40系列-4040-06



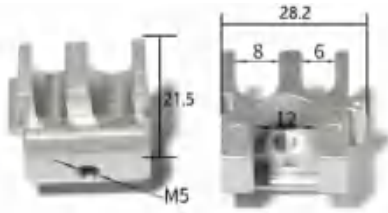
Description 产品描述	Fastening Set 紧固组件	Mass 重量 (g)	Code No. 产品编号
AP40-4040-04 (pcs) 40系列-4040-04 (单个供货)		222	AP40-4040-04
AP40-4040-04 (set X) 40系列-4040-04 (成套供货X)	5xX	292	AP40-4040-04-STX
AP40-4040-04 (set Y) 40系列-4040-04 (成套供货Y)	5xY	332	AP40-4040-04-STY
AP40-4040-05 (pcs) 40系列-4040-05 (单个供货)		220	AP40-4040-05
AP40-4040-05 (set X) 40系列-4040-05 (成套供货X)	5xX	290	AP40-4040-05-STX
AP40-4040-05 (set Y) 40系列-4040-05 (成套供货Y)	5xY	330	AP40-4040-05-STY
AP40-4040-06 (pcs) 40系列-4040-06 (单个供货)		355	AP40-4040-06
AP40-4040-06 (set X) 40系列-4040-06 (成套供货X)	7xX	453	AP40-4040-06-STX
AP40-4040-06 (set Y) 40系列-4040-06 (成套供货Y)	7xY	510	AP40-4040-06-STY



Additional Accessories
其他附件

Convery Accessories-01

铝托架



Description 产品描述	Mass 重量 (g)	Code No. 产品编号
Convery Accessories-01-AP40 铝托架40系列	32	CA01-40-PCS

Convery Accessories-02

滚筒托片

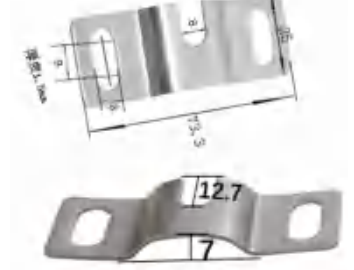
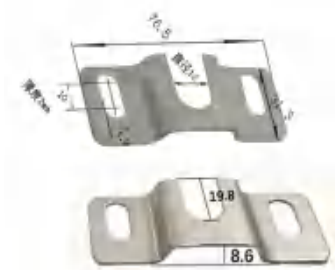


31高槽12

31高槽10

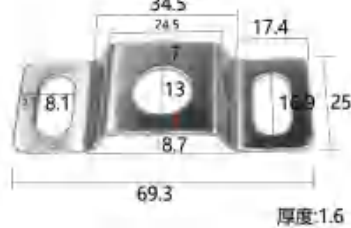
25高槽12

25高槽8



圆孔25高槽9

圆孔25高槽13



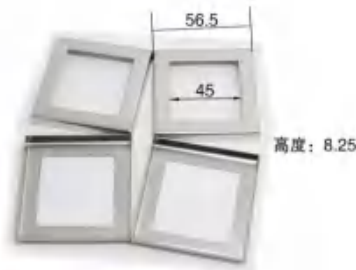
Description 产品描述	Mass 重量 (g)	Code No. 产品编号
Convery Accessories-02-3112 滚筒托片-31高槽12	15	CA02-3112
Convery Accessories-02-3110 滚筒托片-31高槽10	16	CA02-3110
Convery Accessories-02-2512 滚筒托片-25高槽12	18	CA02-2512
Convery Accessories-02-2508 滚筒托片-25高槽08	15	CA02-2508
Convery Accessories-02-2509 滚筒托片-圆孔25高槽9	19	CA02-2509
Convery Accessories-02-2513 滚筒托片-圆孔25高槽13	20	CA02-2513

Additional Accessories
其他附件

Assembly line fittings
流水线配件
Aharft Sleeve
轴套



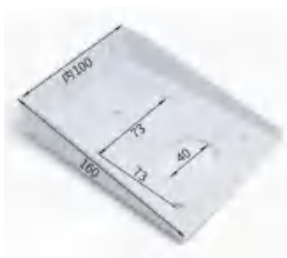
Aluminum Cover
铝材盖



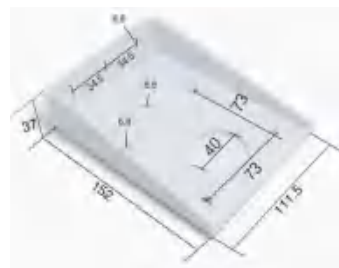
Belt Cover
皮带罩



Mounting Plate 60-120
马达固定支撑板60-120



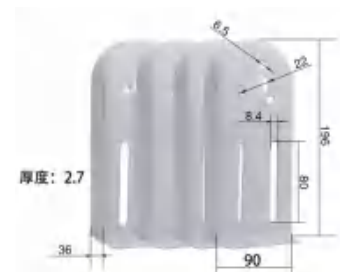
Mounting Plate 200-250
马达固定支撑板200-250



Bearing Sleeve-3060
3060轴承套



Bearing Sleeve-4080
4080轴承套



Description 产品描述		Set 组合	Mass 重量 (g/pcs)	Code No.产品编号
Assembly line fittings 3060流水线套件	Aharft Sleeve 轴套	4 pcs	55	ALF-3060-A
	Bearing Sleeve-3060 3060轴承套	4 pcs	88	ALF-3060-B
	Belt Cover 皮带罩	1 pcs	35	ALF-3060-C
	Aluminum Cover 铝材盖	4 pcs	15	ALF-3060-D
	Mounting Plate 60-120 马达固定支撑板 60-120	1 pcs	135	ALF-3060-E1
	Mounting Plate 200-250 马达固定支撑板 200-250	1 pcs	150	ALF-3060-E2
Assembly line fittings 4080流水线套件	Aharft Sleeve 轴套	4 pcs	55	ALF-4080-A
	Bearing Sleeve-4080 4080轴承套	4 pcs	92	ALF-4080-B
	Belt Cover 皮带罩	1 pcs	35	ALF-4080-C
	Aluminum Cover 铝材盖	4 pcs	15	ALF-4080-D
	Mounting Plate 60-120 马达固定支撑板 60-120	1 pcs	135	ALF-4080-E1
	Mounting Plate 200-250 马达固定支撑板 200-250	1 pcs	150	ALF-4080-E2