

# SINEAX VS40

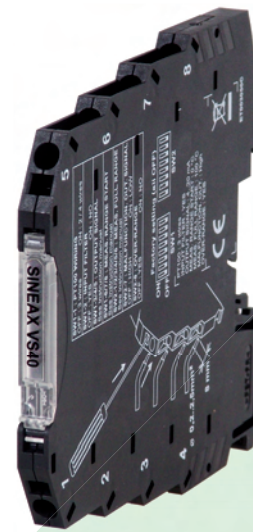
## Signal Converter

### Pt100 to DC current / voltage isolator



#### Features / Benefits

- Input: Pt100 (2, 3, 4 wires) (– 150 °C ... 650 °C)
- Output: Current 0/4 ... 20 or 20 ... 4/0 mA or voltage 0 ... 5/10, 10 ... 0, 1 ... 5 V DC
- 3-way galvanic isolation
- Spring-cage clamp connection
- Power bridging terminal – DIN rail bus connector
- Small dimensions (6.2 x 93.1 x 102.5 mm)
- Resolution of 14 bit
- Accuracy class 0.1%



#### General Data

Power supply	19.2 ... 30 V DC
Accuracy	Error: 0.1% (max. range) or (40 K/temp + 0.05) % (measurement range)
Status indicators (LED)	Setting error Wrong connection Internal improper functioning
Galvanic isolation	Power supply / input / output at 1500 V AC, digital
Hot swapping	Yes
Power consumption	500 mW
A/D Converter	14 bit
Current output protection	Approximately 25 mA
Security output	102.5% of full scale value in case of over-range 105% of full scale value in case of improper functioning
Humidity	Up to 90% at + 40 °C (not condensing)
Housing	Terminal housing for mounting on 35 mm DIN 46277
Frequency filter	50 ... 60 Hz
DIP-Switch	– Input signals setup – Output signal setup
Processing	Floating point 32 bit
Dimensions	6,2 x 93,1 x 102,5 mm (w x h x d)
Weight	50 g

Operating temperature	– 20 ... + 65 °C
Connections	Spring cage clamp
IP Protection	IP 20
Conformity	CE

#### Input Data

Pt100 probe (EN 60751/A2 (ITS90))	Connection by 2, 3 or 4 wires Current on sensor: < 900 µA Cable resistance: Max. 20 Ω per wire Measurement range: – 150 ... 650 °C Min. span: 50 °C
-----------------------------------	---

#### Output Data

Current:	0 ... 20 mA, 4 ... 20 mA, 20 ... 0 mA and 20 ... 4 mA Higher load resistance: 500 Ω
Voltage	0 ... 5 V DC, 1 ... 5 V DC, 0 ... 10 V DC and 10 ... 0 V DC Lower load resistance: 2 kΩ

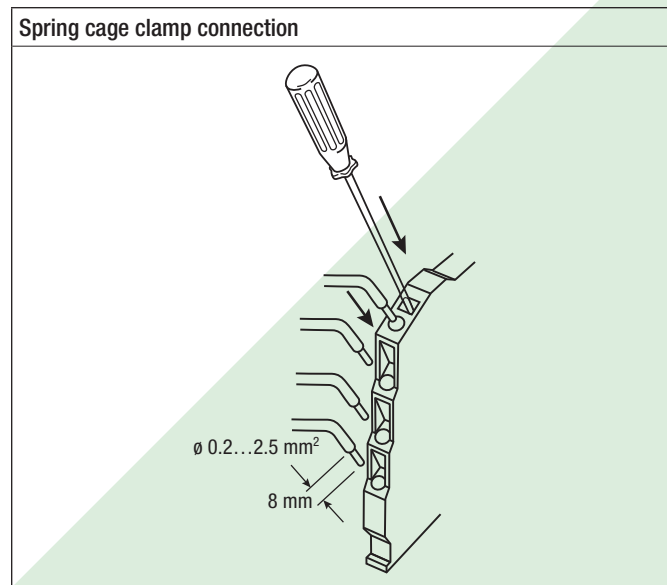
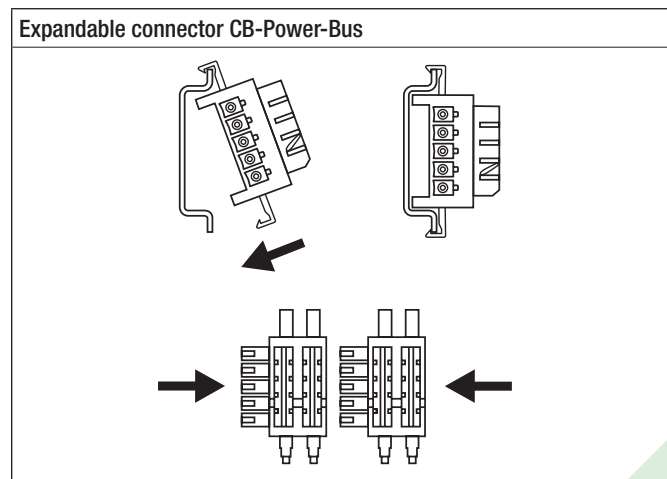
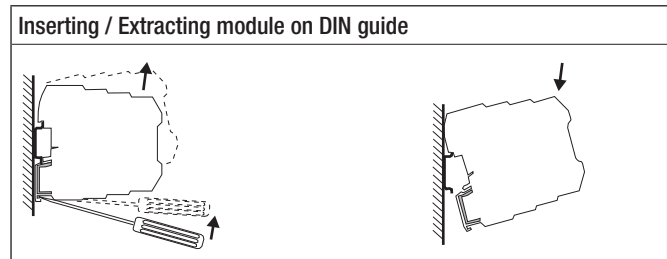
# SINEAX VS40

## Signal Converter

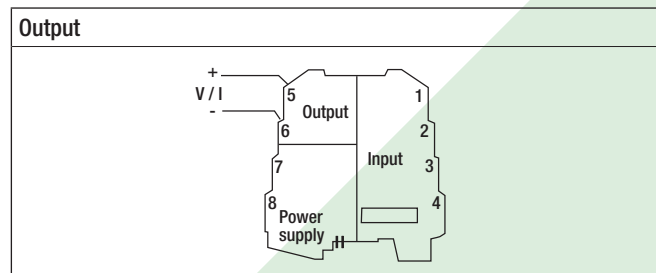
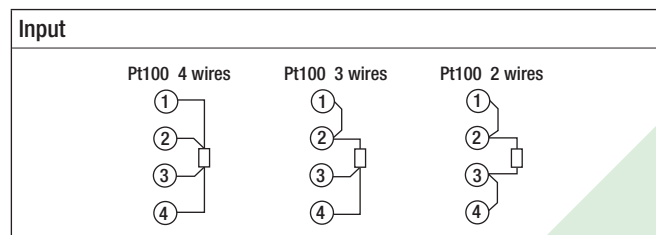
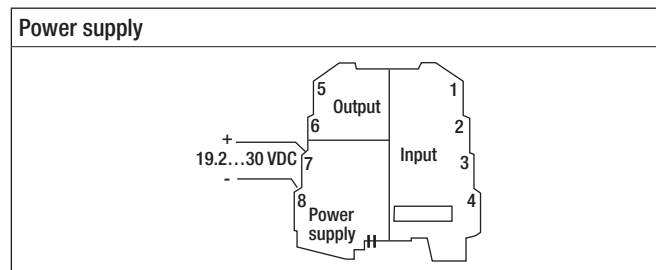
### Order Codes

Description	Code
Pt100 to DC current/voltage isolator converter	162 751
Accessories	
CB-Power-Bus Expandable power supply connector	162 826
SINEAX VS70 Power supply module with surge protection	162 818

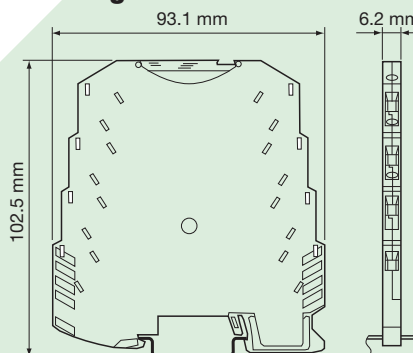
### Installation



### Electrical connections



### Dimensional diagram



 **CAMILLE BAUER**

Rely on us.

Camille Bauer Ltd  
Aargauerstrasse 7  
CH-5610 Wohlen / Switzerland  
Phone: +41 56 618 21 11  
Fax: +41 56 618 35 35  
e-mail: [info@camillebauer.com](mailto:info@camillebauer.com)  
[www.camillebauer.com](http://www.camillebauer.com)