

TEKSAN



HM

TEKSAN

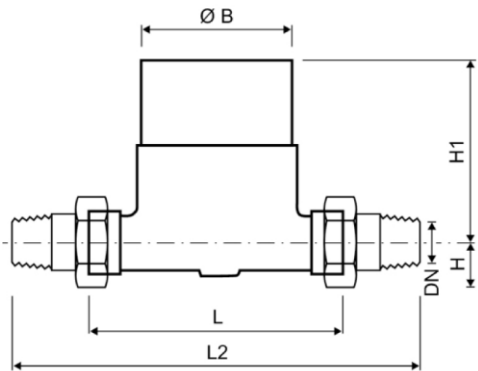
Mechanical heat meter improved by Teksan experience

- Fully electronic calculator and display
- Electronic sensor control for recording flow rate
- Lithium battery lifetime 10 years
- Reading date for billing
- Single-line 8-digit display for easy meter reading
- Optional pulse, M-bus, Radio frequency output
- DN15 - DN20
- MID certificate
- Sealed electronic unit (IP54)
- Brass housing
- Water temperature up to 90°C

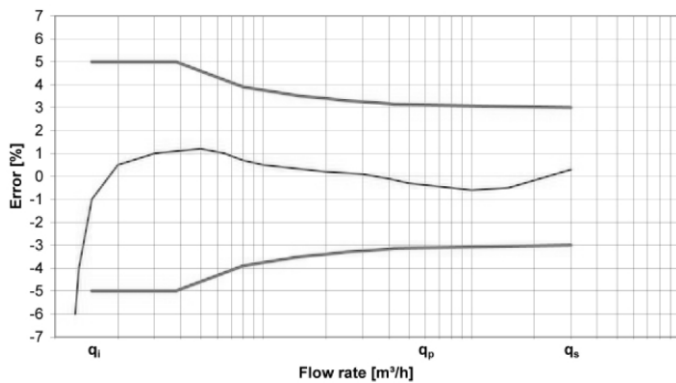
Technical Specifications

Nominal diameter	DN	mm	15	20	20
Nominal flow rate	Q_p	m ³ /h	1,5	1,5	2,5
Maximum flow rate	Q_s	m ³ /h	3	3	5
Minimum flow rate	Q_i	l/h	15*	15	25*
Temperature range	°C		5..90	5..90	5..90
Ambient operating temperature	°C		0..55	0..55	0..55
Nominal pressure	PN	bar	16	16	16
Mounting position			H+V	H+V	H+V
Dynamic range (q_p/q_i)	R		100	100	100
Pressure loss at q_p	ΔP	bar	0,4	0,4	0,4
Temperature sensor type			Pt1000/2-wire	Pt1000/2-wire	Pt1000/2-wire
Max. temperature difference	$\Delta\ominus$	K	+95	+95	+95
Min. temperature difference	$\Delta\ominus$	K	+3	+3	+3
Absolute temperature measurement range	\ominus	°C	0..95	0..95	0..95
Connection thread of meter		Inch	G3/4B	G1B	G1B
Connection thread of coupling		Inch	R1/2	R3/4	R3/4
Overall length	L	mm	110	110	130
Height	H	mm	20	20	20
Height	H1	mm	100	100	100

Dimensions



Error Curve



Pressure Loss

