

Multi-Jet dry type cold water meter which is improved by Teksan experience



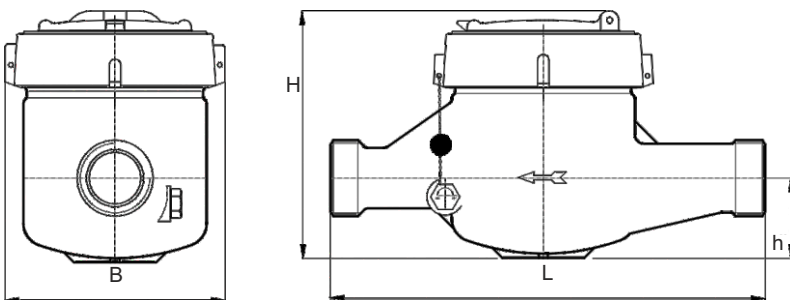
- Multi-jet dry type
- 360°C rotatable cover.
- Display on 5 drums for m³ and 4 pointers for litres
- Optional check valve
- Measuring range up to R160
- Optional pulse, M-bus, Radio frequency output
- Hermetically sealed register (IP68)
- Forged brass housing
- Water temperature up to 50°C
- Glycerin filled register unit



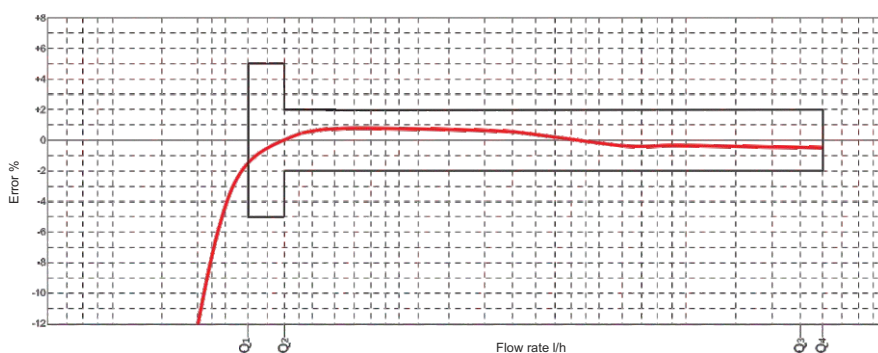
Technical Specifications

Nominal diameter	DN	mm	20
Nominal flow rate	Q ₃	m ³ /h	2,5
Maximum flow rate	Q ₄	m ³ /h	3,125
Minimum flow rate	Q ₁	l/h	31,2/25/15,6
Transitional flow rate	Q ₂	l/h	50/40/25
Maximum working pressure	P _{max}	bar	16
Pressure loss (max.Q3)	ΔP	bar	0,63
Maximum working temperature	T _{max}	°C	50
Measuring range	Q ₃ / Q ₁	R	80/100/160
Overall length	l	mm	190
Maximum register indication		m ³	99.999
Verification scale interval		l	0,05
Width	B	mm	96
Total height	H	mm	114
Height to pipe axis	h	mm	34
Connection thread of meter	-	-	G1B
Nominal size	DN	mm	20
Piping dimensions	-	-	G3/4B
Weight	-	kg	1,250
Installation position			H

Dimensions



Error Curve



Pressure Loss

