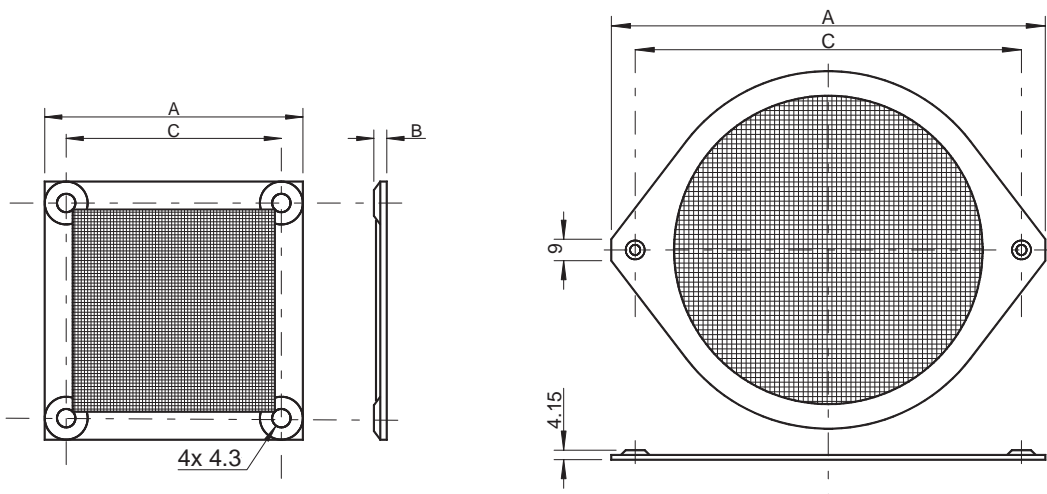


FMxxx

EMC FAN SCREEN, IP40



- IP40 fan screen for standardized axial fan sizes 60x60mm up to 172x150 and Ø172mm.
- Protection against moving parts plus EMC shielding.
- Material frame: Aluminium
- Material screen: Stainless steel



Model No.	Dimension A [mm]	Dimension B [mm]	Dimension C [mm]	Packing Unit [PCs]
FM60	60	4.3	50.0	100
FM80	80	4.3	71.4	100
FM92	92	4.3	82.5	100
FM120	120	4.3	104.8	100
FM150	182	4.3	162.0	100

Technical changes without notice • 05/07