

EVR 31



short description

Window fan for air extraction and ventilation

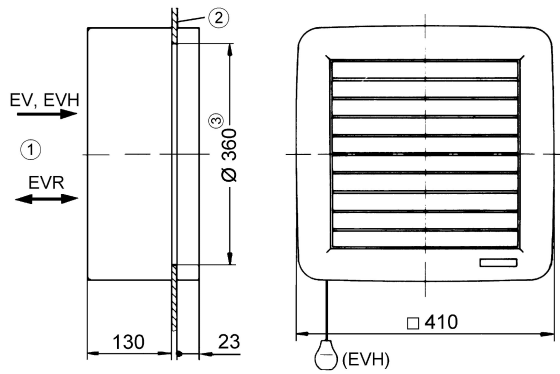
Article number 0080.0821

Technical Data

Air flow volume	1,400 m ³ /h
Rotating speed	1,410 1/min
Air direction	Ventilation and air extraction
Speed controllable	✓
Type of voltage	Alternating current
Rated voltage	230 V
Frequency	50 Hz
Nominal output	110 W
Power consumption	120 W
I _{nom}	0.6 A
I _{max}	0.6 A
Degree of protection (IP)	20
Mains cable	5 × 1.5 mm ²
Installation site	Window
Material	Synthetic material
Colour	Traffic white, similar to RAL 9016
Weight	7.6 kg
Nominal size	315 mm
Airstream temperature at I _{Max}	40 °C
Sound pressure level	63 dB(A)
Range	C
EAN	4012799808213
Total L _{WA7, high} (housing and free inlet sound power level)	72 dB(A)

EVR 31

Dimensions [mm]



- ① Inside
- ② Window pane
- ③ Window cut-out: 360 mm diameter

A	B	C
360	130	410