

Cam levers with plastic handle internal and external thread, steel or stainless steel

Item description/product images



Description

Material:

Grip and thrust washer plastic PA 66 fibreglass reinforced.
Hinge pins stainless steel 1.4305.
Studs and washer steel grade 5.8 or stainless steel 1.4305.

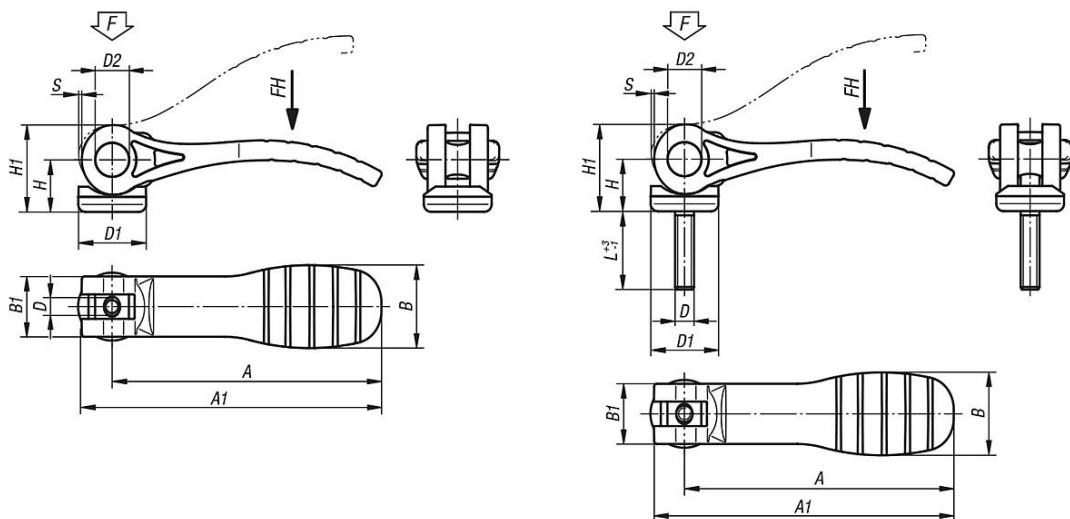
Version:

Grip black or traffic red RAL3020.
Thrust washer black.
Hinge pin bright.
Stud and washer trivalent blue passivated or bright stainless steel.

Note:

Plastics are subject to creeping under load (retardation), this can cause reduced clamping force.

Drawings



Overview of items

Cam levers with plastic handle and internal thread

Order No.	Component material	Main colour	D	D1	D2	B	B1	H	H1	A	A1	Travel S	Clamping force F (kN)	Hand force FH N
B0258.1521105	steel	black	M5	18,1	9	22	16	14	23,4	71,5	79,6	1,15	2,5	125
B0258.1521106	steel	black	M6	18,1	9	22	16	14	23,4	71,5	79,6	1,15	2,5	125
B0258.2521108	steel	black	M8	27,1	11	33	24,2	16,2	27,7	100	110	1,5	5	170
B0258.1531105	stainless steel	black	M5	18,1	9	22	16	14	23,4	71,5	79,6	1,15	2,5	125
B0258.1531106	stainless steel	black	M6	18,1	9	22	16	14	23,4	71,5	79,6	1,15	2,5	125
B0258.2531108	stainless steel	black	M8	27,1	11	33	24,2	16,2	27,7	100	110	1,5	5	170
B0258.15218405	steel	traffic red RAL 3020	M5	18,1	9	22	16	14	23,4	71,5	79,6	1,15	2,5	125
B0258.15218406	steel	traffic red RAL 3020	M6	18,1	9	22	16	14	23,4	71,5	79,6	1,15	2,5	125
B0258.25218408	steel	traffic red RAL 3020	M8	27,1	11	33	24,2	16,2	27,7	100	110	1,5	5	170
B0258.15318405	stainless steel	traffic red RAL 3020	M5	18,1	9	22	16	14	23,4	71,5	79,6	1,15	2,5	125
B0258.15318406	stainless steel	traffic red RAL 3020	M6	18,1	9	22	16	14	23,4	71,5	79,6	1,15	2,5	125
B0258.25318408	stainless steel	traffic red RAL 3020	M8	27,1	11	33	24,2	16,2	27,7	100	110	1,5	5	170

Cam levers with plastic handle internal and external thread, steel or stainless steel

Overview of items

Cam levers with plastic handle and external thread

Order No.	Thread type	Component material	Main colour	D	D1	D2	B	B1	H	H1	A	A1	L	Travel S	Clamping force F (kN)	Hand force FH N
B0258.1521105X20	external thread	steel	black	M5	18,1	9	22	16	14	23,4	71,5	79,6	20	1,15	2,5	125
B0258.1521105X30	external thread	steel	black	M5	18,1	9	22	16	14	23,4	71,5	79,6	30	1,15	2,5	125
B0258.1521105X40	external thread	steel	black	M5	18,1	9	22	16	14	23,4	71,5	79,6	40	1,15	2,5	125
B0258.1521105X50	external thread	steel	black	M5	18,1	9	22	16	14	23,4	71,5	79,6	50	1,15	2,5	125
B0258.1521106X20	external thread	steel	black	M6	18,1	9	22	16	14	23,4	71,5	79,6	20	1,15	2,5	125
B0258.1521106X30	external thread	steel	black	M6	18,1	9	22	16	14	23,4	71,5	79,6	30	1,15	2,5	125
B0258.1521106X40	external thread	steel	black	M6	18,1	9	22	16	14	23,4	71,5	79,6	40	1,15	2,5	125
B0258.1521106X50	external thread	steel	black	M6	18,1	9	22	16	14	23,4	71,5	79,6	50	1,15	2,5	125
B0258.2521108X25	external thread	steel	black	M8	27,1	11	33	24,2	16,2	27,7	100	110	25	1,5	5	170
B0258.2521108X30	external thread	steel	black	M8	27,1	11	33	24,2	16,2	27,7	100	110	30	1,5	5	170
B0258.2521108X40	external thread	steel	black	M8	27,1	11	33	24,2	16,2	27,7	100	110	40	1,5	5	170
B0258.2521108X50	external thread	steel	black	M8	27,1	11	33	24,2	16,2	27,7	100	110	50	1,5	5	170
B0258.2521110X25	external thread	steel	black	M10	27,1	11	33	24,2	16,2	27,7	100	110	25	1,5	5	170
B0258.2521110X30	external thread	steel	black	M10	27,1	11	33	24,2	16,2	27,7	100	110	30	1,5	5	170
B0258.2521110X40	external thread	steel	black	M10	27,1	11	33	24,2	16,2	27,7	100	110	40	1,5	5	170
B0258.2521110X50	external thread	steel	black	M10	27,1	11	33	24,2	16,2	27,7	100	110	50	1,5	5	170
B0258.1531105X20	external thread	stainless steel	black	M5	18,1	9	22	16	14	23,4	71,5	79,6	20	1,15	2,5	125
B0258.1531105X30	external thread	stainless steel	black	M5	18,1	9	22	16	14	23,4	71,5	79,6	30	1,15	2,5	125
B0258.1531105X40	external thread	stainless steel	black	M5	18,1	9	22	16	14	23,4	71,5	79,6	40	1,15	2,5	125
B0258.1531105X50	external thread	stainless steel	black	M5	18,1	9	22	16	14	23,4	71,5	79,6	50	1,15	2,5	125
B0258.1531106X20	external thread	stainless steel	black	M6	18,1	9	22	16	14	23,4	71,5	79,6	20	1,15	2,5	125
B0258.1531106X30	external thread	stainless steel	black	M6	18,1	9	22	16	14	23,4	71,5	79,6	30	1,15	2,5	125
B0258.1531106X40	external thread	stainless steel	black	M6	18,1	9	22	16	14	23,4	71,5	79,6	40	1,15	2,5	125
B0258.1531106X50	external thread	stainless steel	black	M6	18,1	9	22	16	14	23,4	71,5	79,6	50	1,15	2,5	125
B0258.2531108X25	external thread	stainless steel	black	M8	27,1	11	33	24,2	16,2	27,7	100	110	25	1,5	5	170
B0258.2531108X30	external thread	stainless steel	black	M8	27,1	11	33	24,2	16,2	27,7	100	110	30	1,5	5	170
B0258.2531108X40	external thread	stainless steel	black	M8	27,1	11	33	24,2	16,2	27,7	100	110	40	1,5	5	170
B0258.2531108X50	external thread	stainless steel	black	M8	27,1	11	33	24,2	16,2	27,7	100	110	50	1,5	5	170
B0258.2531110X25	external thread	stainless steel	black	M10	27,1	11	33	24,2	16,2	27,7	100	110	25	1,5	5	170
B0258.2531110X30	external thread	stainless steel	black	M10	27,1	11	33	24,2	16,2	27,7	100	110	30	1,5	5	170
B0258.2531110X40	external thread	stainless steel	black	M10	27,1	11	33	24,2	16,2	27,7	100	110	40	1,5	5	170
B0258.2531110X50	external thread	stainless steel	black	M10	27,1	11	33	24,2	16,2	27,7	100	110	50	1,5	5	170
B0258.15218405X20	external thread	steel	traffic red RAL 3020	M5	18,1	9	22	16	14	23,4	71,5	79,6	20	1,15	2,5	125
B0258.15218405X30	external thread	steel	traffic red RAL 3020	M5	18,1	9	22	16	14	23,4	71,5	79,6	30	1,15	2,5	125
B0258.15218405X40	external thread	steel	traffic red RAL 3020	M5	18,1	9	22	16	14	23,4	71,5	79,6	40	1,15	2,5	125
B0258.15218405X50	external thread	steel	traffic red RAL 3020	M5	18,1	9	22	16	14	23,4	71,5	79,6	50	1,15	2,5	125
B0258.15218406X20	external thread	steel	traffic red RAL 3020	M6	18,1	9	22	16	14	23,4	71,5	79,6	20	1,15	2,5	125
B0258.15218406X30	external thread	steel	traffic red RAL 3020	M6	18,1	9	22	16	14	23,4	71,5	79,6	30	1,15	2,5	125
B0258.15218406X40	external thread	steel	traffic red RAL 3020	M6	18,1	9	22	16	14	23,4	71,5	79,6	40	1,15	2,5	125
B0258.15218406X50	external thread	steel	traffic red RAL 3020	M6	18,1	9	22	16	14	23,4	71,5	79,6	50	1,15	2,5	125
B0258.25218408X25	external thread	steel	traffic red RAL 3020	M8	27,1	11	33	24,2	16,2	27,7	100	110	25	1,5	5	170
B0258.25218408X30	external thread	steel	traffic red RAL 3020	M8	27,1	11	33	24,2	16,2	27,7	100	110	30	1,5	5	170
B0258.25218408X40	external thread	steel	traffic red RAL 3020	M8	27,1	11	33	24,2	16,2	27,7	100	110	40	1,5	5	170
B0258.25218408X50	external thread	steel	traffic red RAL 3020	M8	27,1	11	33	24,2	16,2	27,7	100	110	50	1,5	5	170
B0258.25218410X25	external thread	steel	traffic red RAL 3020	M10	27,1	11	33	24,2	16,2	27,7	100	110	25	1,5	5	170
B0258.25218410X30	external thread	steel	traffic red RAL 3020	M10	27,1	11	33	24,2	16,2	27,7	100	110	30	1,5	5	170
B0258.25218410X40	external thread	steel	traffic red RAL 3020	M10	27,1	11	33	24,2	16,2	27,7	100	110	40	1,5	5	170
B0258.25218410X50	external thread	steel	traffic red RAL 3020	M10	27,1	11	33	24,2	16,2	27,7	100	110	50	1,5	5	170
B0258.15318405X20	external thread	stainless steel	traffic red RAL 3020	M5	18,1	9	22	16	14	23,4	71,5	79,6	20	1,15	2,5	125
B0258.15318405X30	external thread	stainless steel	traffic red RAL 3020	M5	18,1	9	22	16	14	23,4	71,5	79,6	30	1,15	2,5	125
B0258.15318405X40	external thread	stainless steel	traffic red RAL 3020	M5	18,1	9	22	16	14	23,4	71,5	79,6	40	1,15	2,5	125
B0258.15318405X50	external thread	stainless steel	traffic red RAL 3020	M5	18,1	9	22	16	14	23,4	71,5	79,6	50	1,15	2,5	125
B0258.15318406X20	external thread	stainless steel	traffic red RAL 3020	M6	18,1	9	22	16	14	23,4	71,5	79,6	20	1,15	2,5	125
B0258.15318406X30	external thread	stainless steel	traffic red RAL 3020	M6	18,1	9	22	16	14	23,4	71,5	79,6	30	1,15	2,5	125
B0258.15318406X40	external thread	stainless steel	traffic red RAL 3020	M6	18,1	9	22	16	14	23,4	71,5	79,6	40	1,15	2,5	125
B0258.15318406X50	external thread	stainless steel	traffic red RAL 3020	M6	18,1	9	22	16	14	23,4	71,5	79,6	50	1,15	2,5	125
B0258.25318408X25	external thread	stainless steel	traffic red RAL 3020	M8	27,1	11	33	24,2	16,2	27,7	100	110	25	1,5	5	170
B0258.25318408X30	external thread	stainless steel	traffic red RAL 3020	M8	27,1	11	33	24,2	16,2	27,7	100	110	30	1,5	5	170
B0258.25318408X40	external thread	stainless steel	traffic red RAL 3020	M8	27,1	11	33	24,2	16,2	27,7	100	110	40	1,5	5	170

Cam levers with plastic handle internal and external thread, steel or stainless steel

Overview of items

Order No.	Thread type	Component material	Main colour	D	D1	D2	B	B1	H	H1	A	A1	L	Travel S	Clamping force F (kN)	Hand force FH N
B0258.25318408X50	external thread	stainless steel	traffic red RAL 3020	M8	27,1	11	33	24,2	16,2	27,7	100	110	50	1,5	5	170
B0258.25318410X25	external thread	stainless steel	traffic red RAL 3020	M10	27,1	11	33	24,2	16,2	27,7	100	110	25	1,5	5	170
B0258.25318410X30	external thread	stainless steel	traffic red RAL 3020	M10	27,1	11	33	24,2	16,2	27,7	100	110	30	1,5	5	170
B0258.25318410X40	external thread	stainless steel	traffic red RAL 3020	M10	27,1	11	33	24,2	16,2	27,7	100	110	40	1,5	5	170
B0258.25318410X50	external thread	stainless steel	traffic red RAL 3020	M10	27,1	11	33	24,2	16,2	27,7	100	110	50	1,5	5	170