

Cam Followers

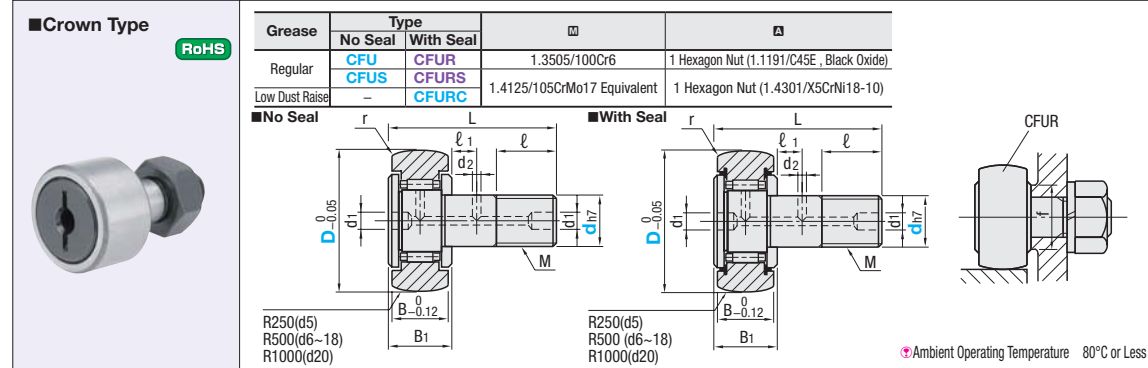
—Standard Type—

CAD Data

Cam Followers

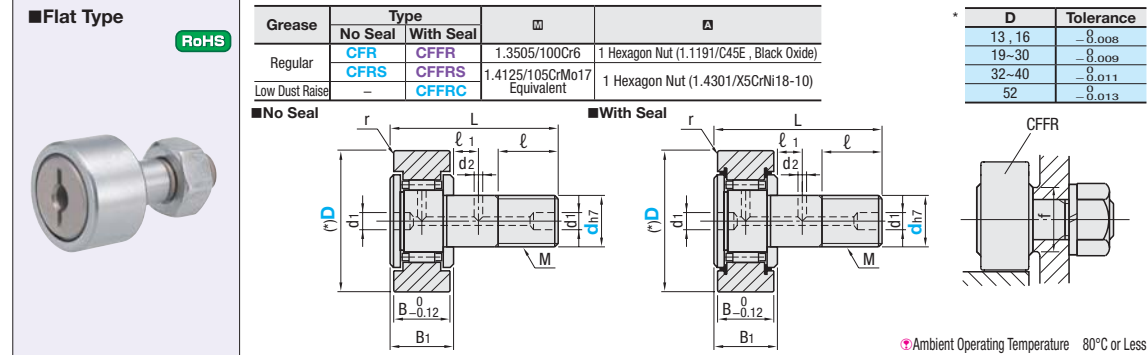
—Hexagon Socket Head Type—

CAD Data



Part Number	Type	dh7Tolerance	D (Selection)	MxPitch	l	B	B1	L	d1	d2	l1	r	f (Min.)	Unit Price Qty. 1-9					
														CFU	CFUS	CFUR	CFURS	CFURC	
(No Seal)	CFU	0	13	5x0.8	7.5	9	10	23	3.1	4*	-	-	0.5	9.7	12.10	21.60	13.40	24.00	27.60
		-0.012	16	6x1.0	9	11	12	28	11					10.90	20.00	12.10	22.20	25.50	
		0	19	8x1.25	11	12	32	13	11.50					21.10	12.80	23.40	26.90		
	(With Seal)	CFUR	-0.015	22	10x1.25	13	12	13	36	6	3	6	1.5	12.20	23.00	13.50	25.60	29.40	
			0	30	12x1.5	14	14	15	40					20	14.90	30.50	16.60	33.90	39.00
			-0.018	35	16x1.5	18	18	19.5	52					24	15.80	32.90	17.60	36.50	42.00
CFURC	-0.021	52	20x1.5	22	24	25.5	66	8	4	9	36	26.60	-	34.80	79.00	-			

*Grease replenishing hole is provided on the head only. For d5, there is no grease replenishment hole.



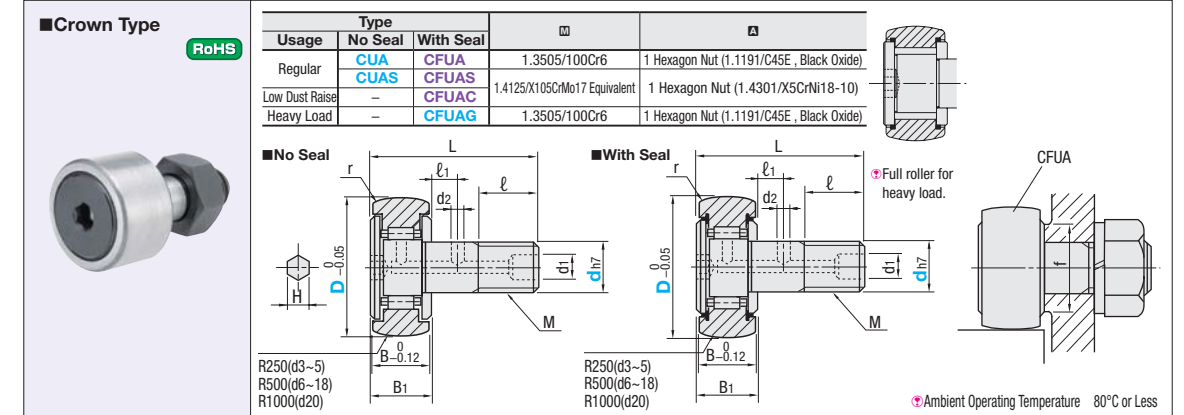
Part Number	Type	dh7Tolerance	D (Selection)	MxPitch	l	B	B1	L	d1	d2	l1	r	f (Min.)	Unit Price Qty. 1-9					
														CFR	CFRS	CFFR	CFFRS	CFFRC	
(No Seal)	CFR	0	13	5x0.8	7.5	9	10	23	3.1	4*	-	0.5	9.7	10.30	19.00	11.40	21.10	24.30	
		-0.012	16	6x1.0	9	11	12	28	11				9.20	17.70	10.20	19.70	22.70		
		0	19	8x1.25	11	12	32	13	9.70				18.40	10.80	20.40	23.50			
	(With Seal)	CFFR	-0.015	22	10x1.25	13	12	13	36	6	3	6	1.5	10.40	19.70	11.60	21.90	25.20	
			0	30	12x1.5	14	14	15	40					20	12.20	25.60	13.50	28.40	32.70
			-0.018	35	16x1.5	18	18	19.5	52					24	13.30	26.70	14.80	29.70	34.20
CFFRC	-0.021	52	20x1.5	22	24	25.5	66	8	4	9	36	22.80	-	29.60	63.10	-			

*Grease replenishing hole is provided on the head only. For d5, there is no grease replenishment hole.

Table 1: Reference Data of Cam Followers (Standard / Hexagon Socket Head Type)

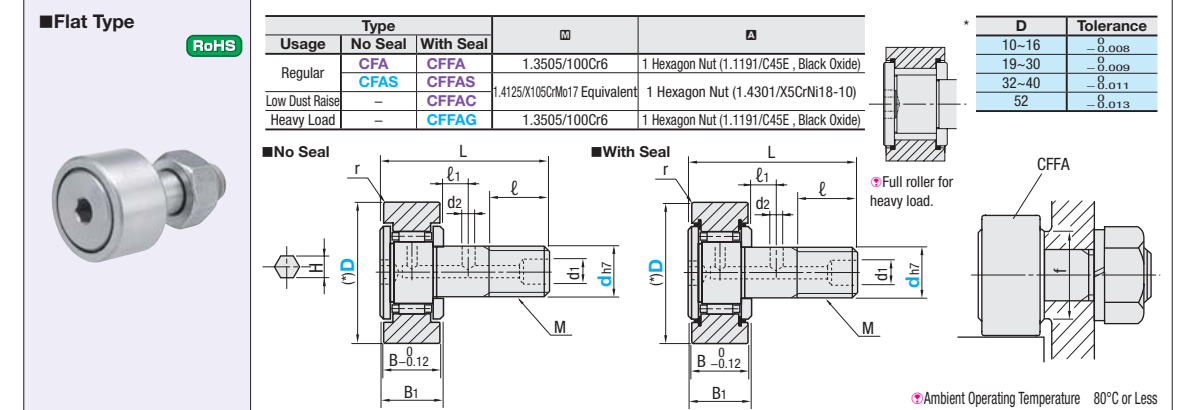
d-D	Regular Type						Heavy Load Type								
	Basic Dynamic Load Rating C(kN)	Basic Static Load Rating Cor(kN)	Max. Allowable Load (kN)	Track Load Capacity (kN)		Revolution Limit (rpm)	Basic Dynamic Load Rating C(kN)	Basic Static Load Rating Cor(kN)	Max. Allowable Load (kN)	Track Load Capacity (kN)		Revolution Limit (rpm)	Mass (g)		
				Crown	Flat					Crown	Flat				
3-10	1.47	1.18	0.36	0.37	1.37	32900	47000	4.5	-	-	-	-	-		
4-12	2.06	2.05	0.78	0.47	1.76	25900	37000	7.5	-	-	-	-	-		
5-13	3.14	2.77	1.42	0.53	2.25	20300	29000	10.5	-	-	-	-	-		
6-16	3.59	3.58	2.11	1.08	3.43	17500	25000	18.5	6.94	8.50	2.11	1.08	3.43	4400	19
8-19	4.17	4.65	4.73	1.37	4.02	14000	20000	28.5	8.13	11.20	4.73	1.37	4.02	3480	29
10-22	5.33	6.78	5.81	1.67	4.70	11900	17000	45	9.42	14.30	5.81	1.67	4.70	46	
2.06				5.49	60			9.42	14.30	5.81	2.06	5.49	2880	61	
12-30	7.87	9.79	9.37	2.45	7.06	9800	14000	95	13.40	19.80	9.37	2.45	7.06	97	
2.74				7.45	105			13.40	19.80	9.37	2.74	7.45	2320	107	
16-35	12.0	18.30	17.30	3.14	11.2	7000	10000	170	20.60	37.60	17.30	3.14	11.20	1800	173
18-40	14.7	25.2	26.1	3.72	14.4	5950	8500	250	-	-	-	-	-	-	
20-52	20.7	34.8	32.1	8.23	23.2	4900	7000	460	-	-	-	-	-	-	

Order Example: Part Number **CFUR10** - **D** **22**, Days to Ship **6 Days** P.92, Volume Discount P.92, Quantity Rate **1-9** Price List **10-29** **30-49** 5% **50-99** 10%



Part Number	Type	dh7Tolerance	D (Selection)	MxPitch	l	B	B1	L	d1	d2	l1	H	r	f (Min.)	Unit Price Qty. 1-9						
															CUA	CUAS	CFUA	CFUAS	CFUAC		
(No Seal)	CUA	0	10	3x0.5	5	7	8	17	-	-	-	-	0.3	2(1.5)	6.8	16.90	29.30	19.20	33.30	36.50	
		-0.012	12	4x0.7	6	8	9	20						2.5(2)	8.6	15.50	27.40	17.60	31.10	34.10	
		0	13	5x0.8	7.5	9	10	23						3(2.5)	9.7	13.20	23.90	15.00	27.20	34.10	
	(With Seal)	CFUA	-0.015	16	6x1.0	9	11	12	28	6	3	6	1.5	4	11	12.10	22.30	13.80	25.30	31.70	21.00
			0	19	8x1.25	11	12	32	5					13	12.30	23.30	14.00	26.50	33.30	23.20	
			-0.018	22	10x1.25	13	12	13	36					15	13.20	24.20	15.00	27.50	34.10	25.40	
CFUAS	-0.021	52	20x1.5	22	24	25.5	66	8	4	9	8	36	29.60	-	36.90	84.50	-				

*For d12 and larger sizes, there are both hexagonal hole and driver groove. For d10 and smaller sizes, there is no grease replenishing hole.



Part Number	Type	dh7Tolerance	D (Selection)	MxPitch	l	B	B1	L	d1	d2	l1	H	r	f (Min.)	Unit Price Qty. 1-9						
															CFA	CFAS	CFFA	CFFAS	CFFAC		
(No Seal)	CFA	0	10	3x0.5	5	7	8	17	-	-	-	-	0.3	2(1.5)	6.8	14.60	25.80	16.60	29.30	31.70	
		-0.012	12	4x0.7	6	8	9	20						2.5(2)	8.6	13.20	23.10	15.00	26.30	28.60	
		0	13	5x0.8	7.5	9	10	23						3(2.5)	9.7	11.60	20.10	13.20	22.80	28.60	
	(With Seal)	CFFA	-0.015	16	6x1.0	9	11	12	28	6	3	6	1.5	4	11	10.60	18.30	12.00	20.80	26.20	19.80
			0	19	8x1.25	11	12	32	5					13	11.00	19.40	12.50	22.10	27.60	21.00	
			-0.018	22	10x1.25	13	12	13	36					15	11.40	19.70	13.00	22.40	27.60	21.00	
CFFAS	-0.021	52	20x1.5	22	24	25.5	66	8	4	9	8	36	25.10	-	29.30	82.50	-				

*For d12 and larger sizes, there are both hexagonal hole and driver groove. For d10 and smaller sizes, there is no grease replenishing hole.

Order Example: Part Number **CFUAS10** - **D** **22**, Days to Ship **6 Days** P.92, Volume Discount P.92, Quantity Rate **1-9** Price List **10-29** **30-49** 5% **50-99** 10%

Price: Quantity Rate **1-9** Price List **10-29** **30-49** 5% **50-99** 10%