

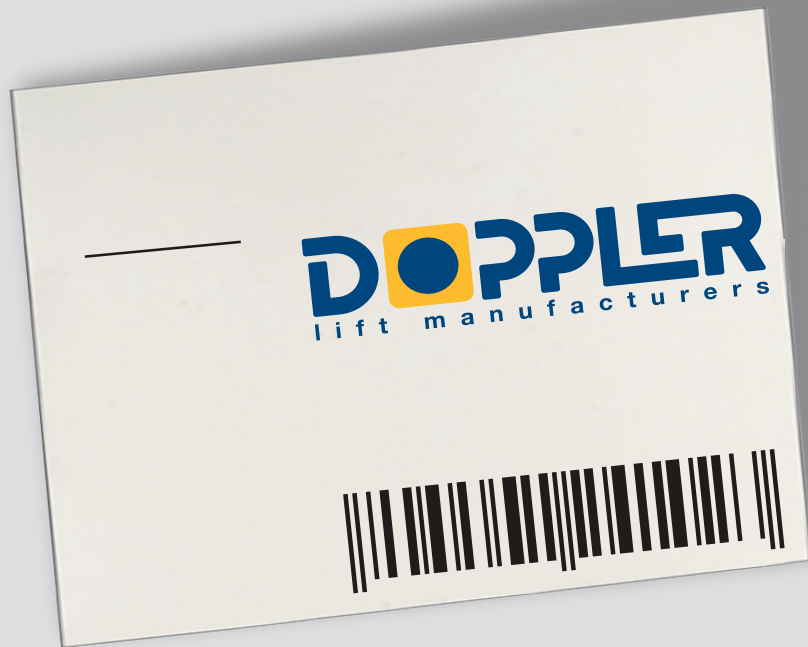


Sky is the limit

DOPPLER
lift manufacturers



DOPPLER PARKING SYSTEMS



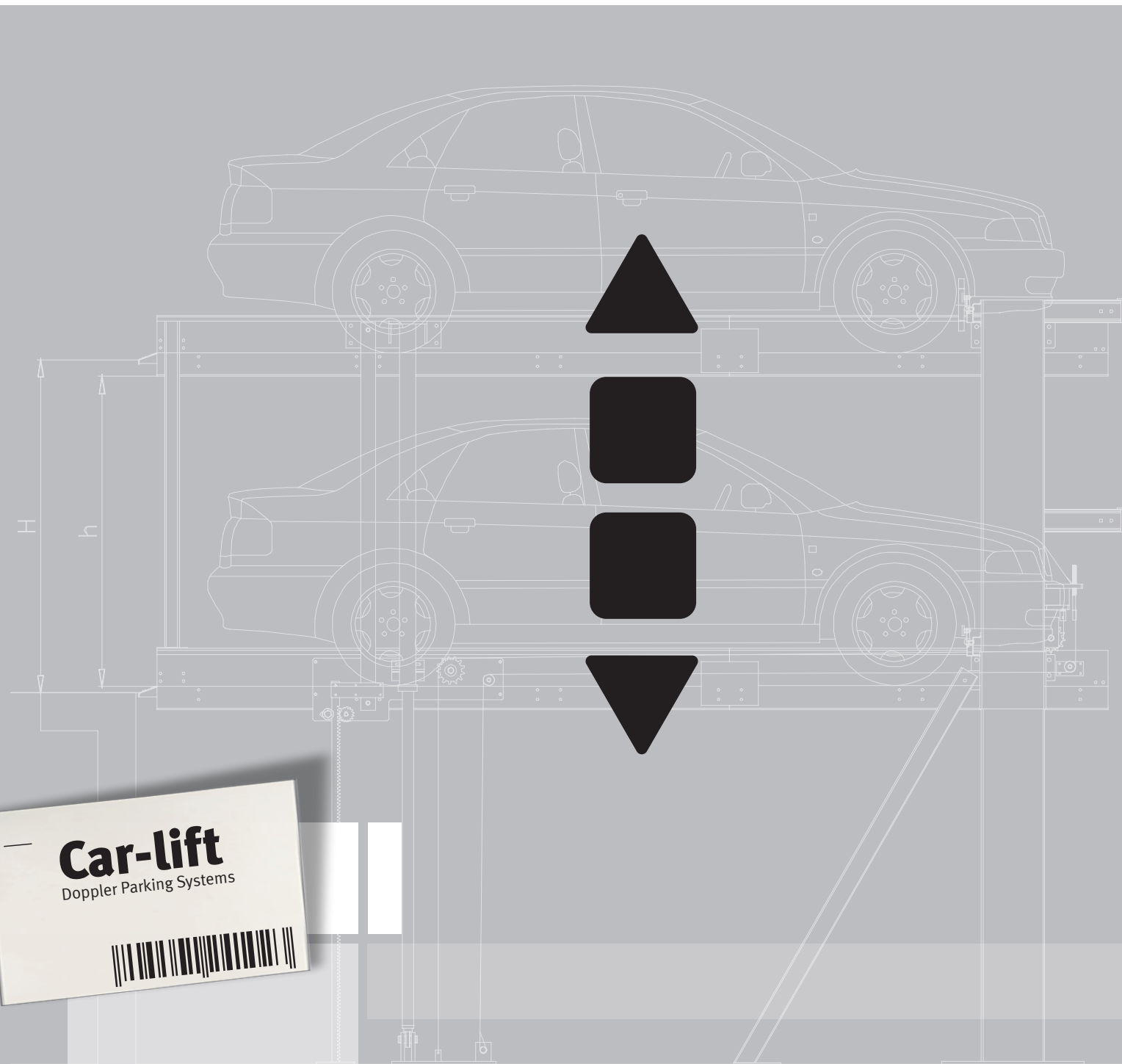
Sky is the limit

Doppler SA has been manufacturing lift systems since the beginning of this century. Its founders were a team of mechanical engineers with long experience in the lift industry, both in the domestic and global market. The company's administration buildings and manufacturing facilities are located in the Industrial Park of Polycastro, north of Thessaloniki, in an area of 9,500m². Offices and warehouse are also located in Athens aiming to fully serve customers in southern Greece.

The combination of designing, manufacturing and trading has given Doppler S.A the flexibility to provide its customers with integrated lift solutions, escalators and parking lifts while maintaining the highest quality and credibility. The company's main policy entails full and immediate support to its customers, orchestrating a large team of experienced engineers and technicians.



Car-lift



Car-lift

Doppler Parking Systems

Doppler parking systems is the ideal solution for commercial, public, and residential use, especially for buildings with limited space, where sufficient parking positions are required. They are equipped with hydraulic lifting cylinders and ropes, in combination with mechanical interlocks, making it safer and more durable for long term use.

The Doppler parking lift benefits:

- Multiplies parking spaces, fully utilizing the available building height.
- Low installation cost and no need for additional construction
- Increase of parking spaces, providing the constructor with the additional revenue potential
- Ideal for areas with limited building coefficient.
- Pollution reduction

DCS-2D/2P



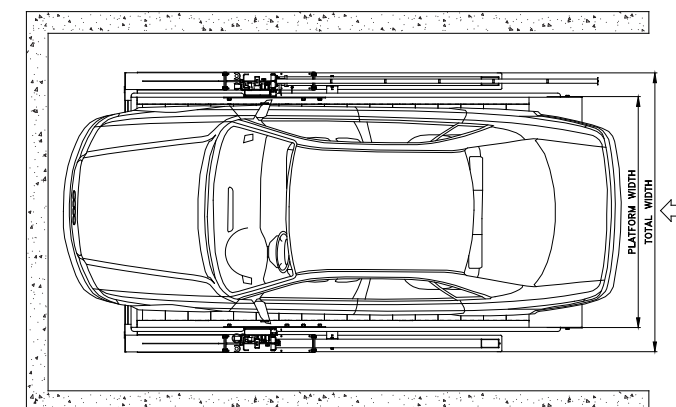
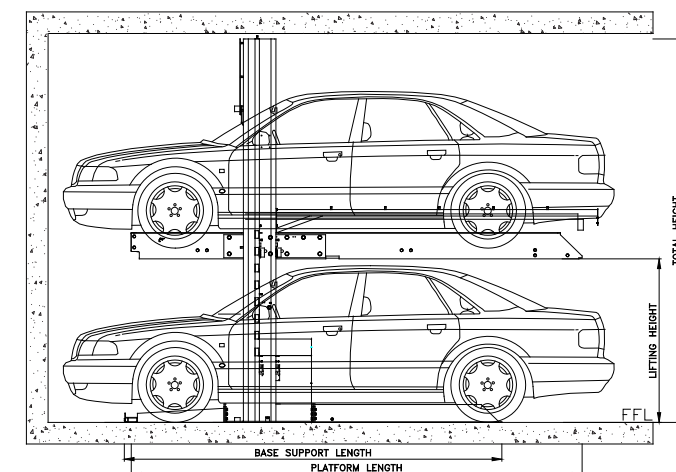
DCS – 2D/2P doubles the available parking space and is suitable for both enterprise and residential buildings, car dealers, rental areas and parking buildings where the long-term parking goes on the platform and the short-term parking on the space below. It features hydraulic direct drive with multi-stage cylinder. No pit is necessary.

Specifications

• Lifting weight	2000 kg
• Lifting height (LH) *(Typical: See range)	1650 mm
• Total width (TW)	2593 mm
• Total length (TL)	4206 mm
• Total height (TH) *(Typical: See range)	3500 mm
• Platform width (PW)	2200 mm
• Platform length (PL)	4200 mm
• Base support length (BL)	3283 mm
• Drive through (DT)	2120 mm
• Power supply	400v/230v 50Hz/60Hz
• Motor power	2.2 kW
• Pressure of power unit	150 Bar
• Hydraulic oil	46cSt Hydraulic Oil
• Ambient working temperature	-5°C - 40°C
• Ambient working humidity	80%
• Noise level	75dB

Range

Total Height (TH)	Lifting Height (LH)
3200	1500 mm
3300	1550 mm
3400	1600 mm
3500	1650 mm
3600	1700 mm



DCS-2D/2P
Doppler Parking Systems





DCS-2D/2P

MULTI

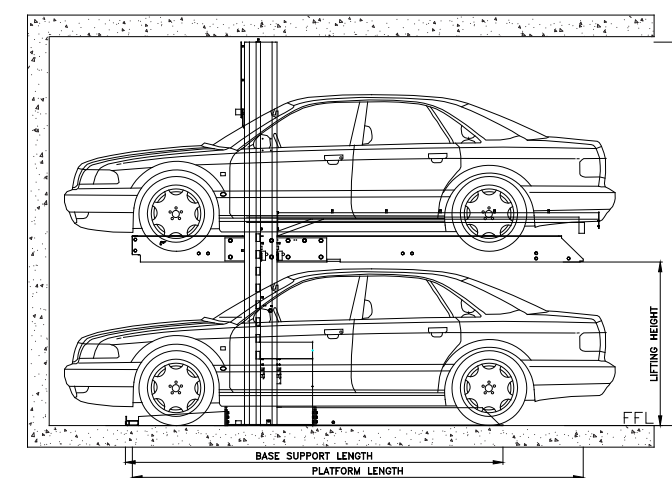
Doppler Parking Systems



DCS-2D/2P is also available in multi version where it requires **n+1** posts for **2*n** parking spaces with an additional cost reduction, because two neighbor systems can share the same post (column). Besides there is possibility, two units to share the same power pack.

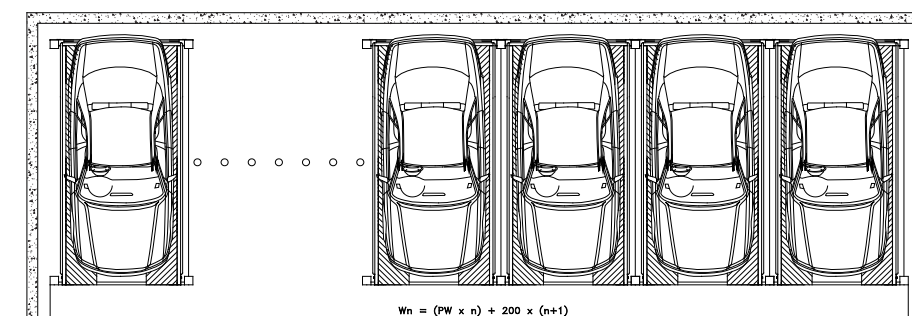
Specifications

• Lifting weight	2000 kg
• Lifting height (LH) *(Typical: See range)	1650mm
• Total width (TW)	$n*PW+(n+1)*200$
• Total length (TL)	4206mm
• Total height (TH) *(Typical: See range)	3500mm
• Platform width (PW)	2200mm
• Platform length (PL)	4200mm
• Base support length (BL)	3283mm
• Drive through (DT)	2120mm
• Power supply	400v/230v 50Hz/60Hz
• Motor power	2.2kW
• Pressure of power unit	150 Bar
• Hydraulic oil	46cSt Hydraulic Oil
• Ambient working temperature	-5°C - 40°C
• Ambient working humidity	80%
• Noise level	75dB



Range

Total Height (TH)	Lifting Height (TH)
3200	1500 mm
3300	1550 mm
3400	1600 mm
3500	1650 mm
3600	1700 mm

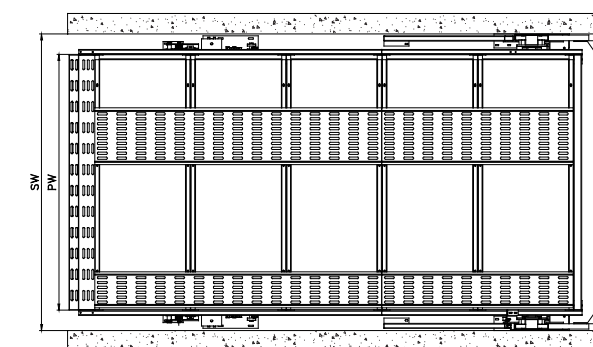
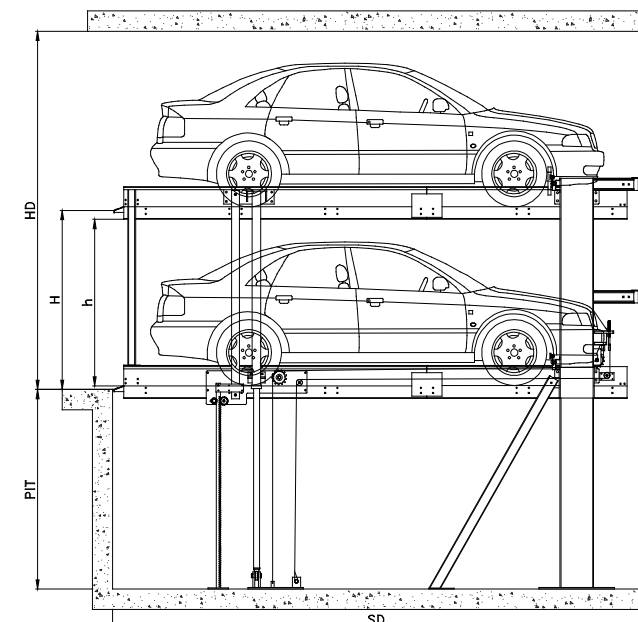




DP – 21/2P provides the independent parking spaces needed in residential and office buildings, hotels etc. where the necessary headroom and pit are available. Requires one (1) driving level and gives the desirable security and elegance for the long-term parking by hiding the lower platform inside the pit.

Specifications

• Rated load per platform	2000 kg
• Pit *(Typical: See range)	1700 mm
• Headroom (HD) *(Typical: See range)	3250 mm
• Travel (H) *(Typical: See range)	1650 mm
• Distance between platforms (h) *(Typical: See range)	1550 mm
• Platform width (PW)	2200 mm
• Shaft width (SW)	2500 mm
• Shaft depth (SD)	5300 mm
• Motor	4 kW



Range

Headroom (HD)	Pit	Travel (H)	Distance between platforms (h)
3250	1700 mm	1650 mm	1550 mm
3350	1750 mm	1700 mm	1600 mm
3450	1800 mm	1750 mm	1650 mm
3550	1850 mm	1800 mm	1700 mm
3650	1900 mm	1850 mm	1750 mm

DP-21/2P
Doppler Parking Systems



DP-21/2P MULTI



DP-21/2P

MULTI

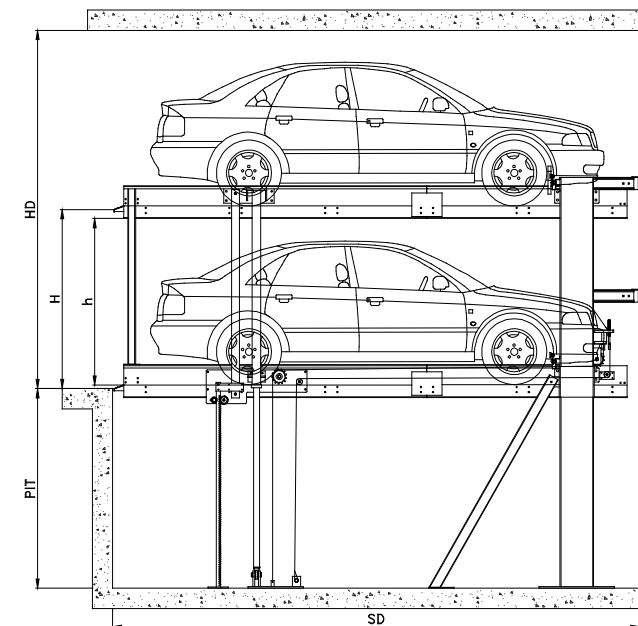
Doppler Parking Systems



DP-21/2P is also available in multi version according to your needs where it requires **n+1** posts for **2*n** parking spaces with an additional cost reduction and space saving because two neighbor systems can share the same post (column). Besides there is possibility, two units to share the same power pack.

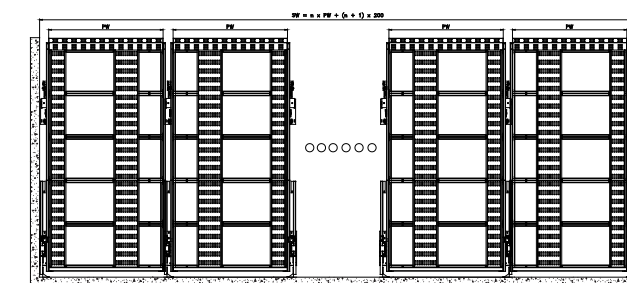
Specifications

• Rated load per platform	2000 kg
• Pit *(Typical: See range)	1700 mm
• Headroom (HD) *(Typical: See range)	3250 mm
• Travel (H) *(Typical: See range)	1650 mm
• Distance between platforms (h) *(Typical: See range)	1550 mm
• Platform width (PW)	2200 mm
• Shaft width (SW)	$n*PW+(n+1)*200$
• Shaft depth (SD)	5300 mm
• Motor	4 Kw



Range

Headroom (HD)	Pit	Travel (H)	Distance between platforms (h)
3250	1700 mm	1650 mm	1550 mm
3350	1750 mm	1700 mm	1600 mm
3450	1800 mm	1750 mm	1650 mm
3550	1850 mm	1800 mm	1700 mm
3650	1900 mm	1850 mm	1750 mm

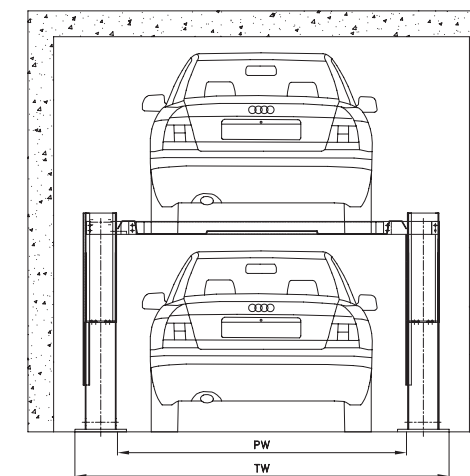




DCS – 2D/4P is a variation of **DCS – 2D** which offers lower price and complete cover under the runways to protect your vehicle. It doubles the available parking space and is suitable for office or residential buildings, car dealers or rental areas and parking buildings. No pit is required.

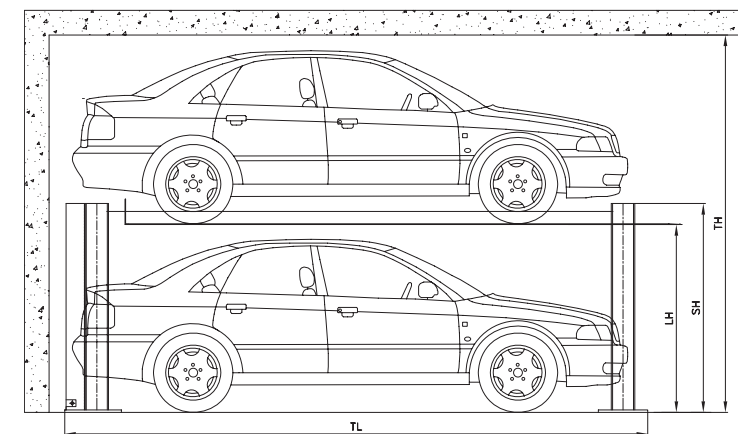
Specifications

• Rated load per platform	2000 kg
• Total Height (TH) *(Typical: See range)	3500 mm
• Lifting Height (LH) *(Typical: See range)	1910 mm
• Total Width (TW)	2664 mm
• Platform Width (PW)	2200 mm
• Total Length (TL)	6200 mm
• Structure Height (SH) *(Typical: See range)	2140 mm
• Motor	2.2 kW



Range

Total Height (TH)	Lifting Height (LH)	Structure Height (SH)
3200 mm	1500 mm	1840 mm
3300 mm	1550 mm	1940 mm
3400 mm	1600 mm	2040 mm
3500 mm	1650 mm	2140 mm
3600 mm	1700 mm	2240 mm
3750 mm	2160 mm	2385 mm



DCS-2D/4P
Doppler Parking Systems



DPS-2RYC/4P

DPS-2RYC/4P is the multi version of **DCS-2D/4P** keeping all its advantages. With the use of horizontal moving platforms, becomes a low cost puzzle parking system with two rows and multiple columns.

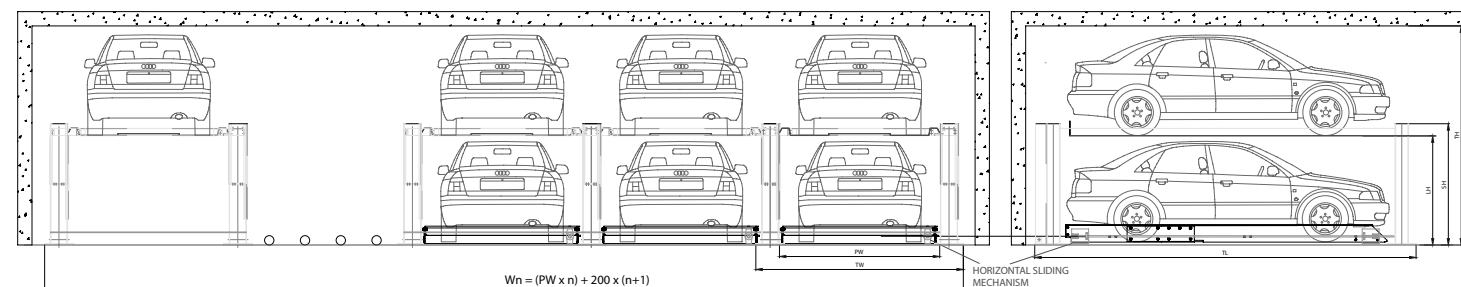


Specifications

• Lifting Weight	2000 kg
• Total Height (TH)	3500 mm
• Lifting Height (LH)	1910 mm
• Total Width (TW)	$n \cdot PW + (n+1) \cdot 200$
• Platform Width (PW)	2200 mm
• Total Length (TL)	6200 mm
• Structure Height (SH)	2140 mm
• Motor power for vertically moving platform	2.2 kW
• Motor power for horizontally sliding platform	1.5 kW
• Speed for vertical movement	6 m/min
• Speed for horizontal movement	8 m/min

Range

Total Height (TH)	Lifting Height (LH)	Structure Height (SH)
3200 mm	1500 mm	1840 mm
3300 mm	1550 mm	1940 mm
3400 mm	1600 mm	2040 mm
3500 mm	1650 mm	2140 mm
3600 mm	1700 mm	2240 mm
3750 mm	2160 mm	2385 mm



DPS-2RYC
/4P

Doppler Parking Systems

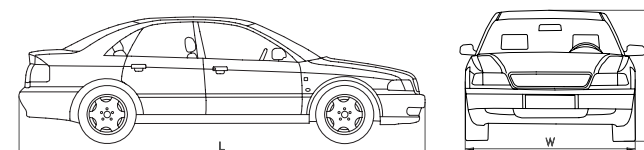
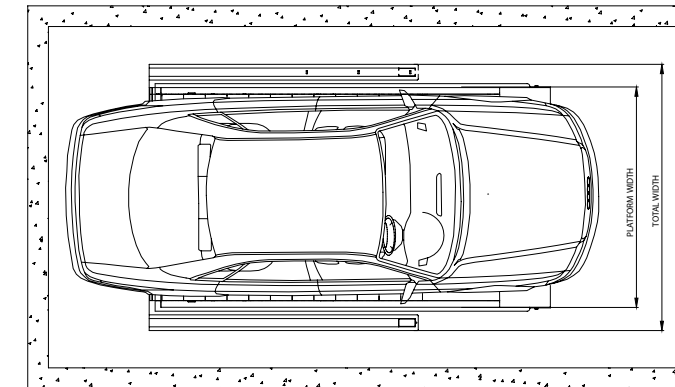
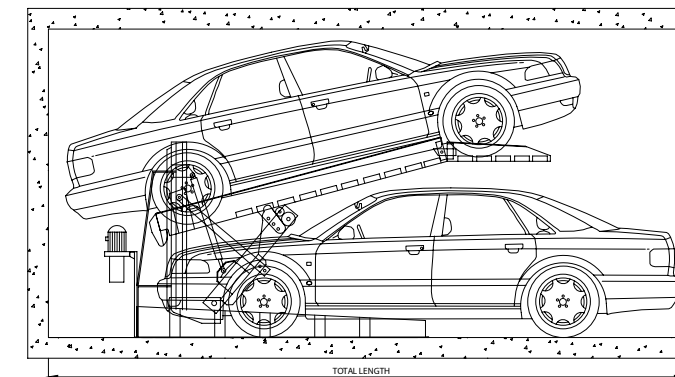




DCS-2DL is a smart modification of **DCS-2D/2P**, suitable for installations where available ceiling height is limited. These features make this product ideal for, existing buildings, as no site works are required for installation.

Specifications

• Lifting Weight	2000 kg
• Total Height (TH)	3150 mm
• Total Length (TL)	6000 mm
• Total Width (TW)	2500 mm
• Platform Width (PW)	2200 mm
• Platform Length (PL)	4200 mm
• Power	400v/230v 50Hz/60 Hz
• Motor	2.2 kW



Car Data

Length L	5200
Width W	1950
Height H	1550

DCS-2DL
Doppler Parking Systems





DPS-XRYC
Doppler Multi Parking Systems



DPS-xRyC is a puzzle parking system serving the needs of high traffic buildings (offices, parking facilities etc) where the available space is limited. It doesn't require a pit and is designed to operate in a way that ensures accessibility to all platforms automatically. The total of serving platforms derives from **R x C - (R - 1)** where **R** represents rows and **C** represents columns. **DPS-xRyC** is a very versatile piece of machinery because it provides multiple solutions depending on the number of rows and columns selected by the customer.

Specifications

• Lifting Weight	2000 kg
• Overall depth (L)	6130 mm
• Distance between columns (W)	2450 mm
• Overall Width (W)	See range
• Overall Height (H)	See range
• Distance between platforms 1-2 (H)	1900 mm
• Distance between platforms n,n+1 (H)	1700 mm
• Motor power for vertically moving platform	2.2 kW
• Motor power for horizontally sliding platform	1.5 kW
• Speed for vertical movement	6 m/min
• Speed for horizontal movement	8 m/min

Range

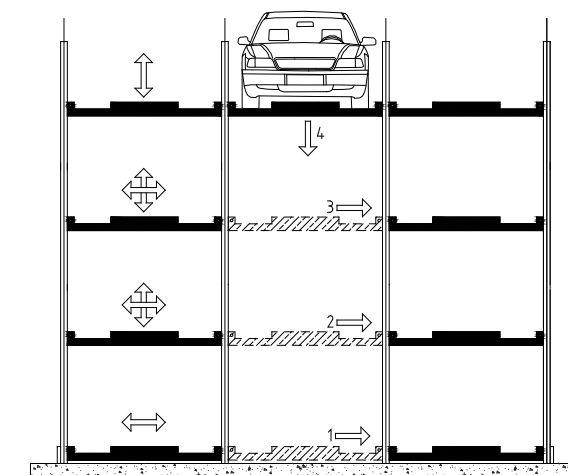
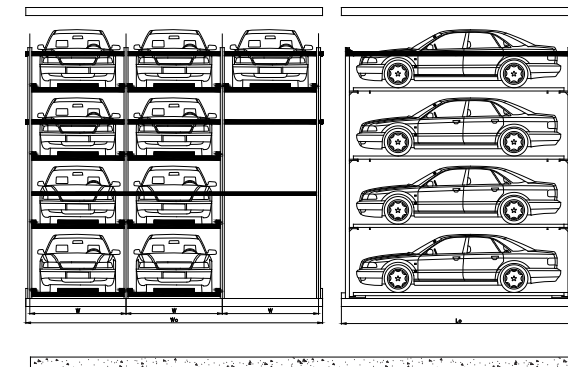
Columns/Rows	2	3	4	5
2	5440 3600	7890 3600	10340 3600	12790 3600
3	5440 5300	7890 5300	10340 5300	12790 5300
4	5440 7000	7890 7000	10340 7000	12790 7000
5	5440 8700	7890 8700	10340 8700	12790 8700

■ Total Width (mm)
■ Total Height (mm)

Operational Diagram

There are 9 platforms (parking spaces) available. Upper-layer platforms can only rise and descend. Middle-layer platforms can move to all 2d-directions: rise-descend and slide right-left. Floor-level platforms can only slide left and right.

The following figure depicts **DPS-4R3C**. This model provides 9 parking slots, minimizing the required width.

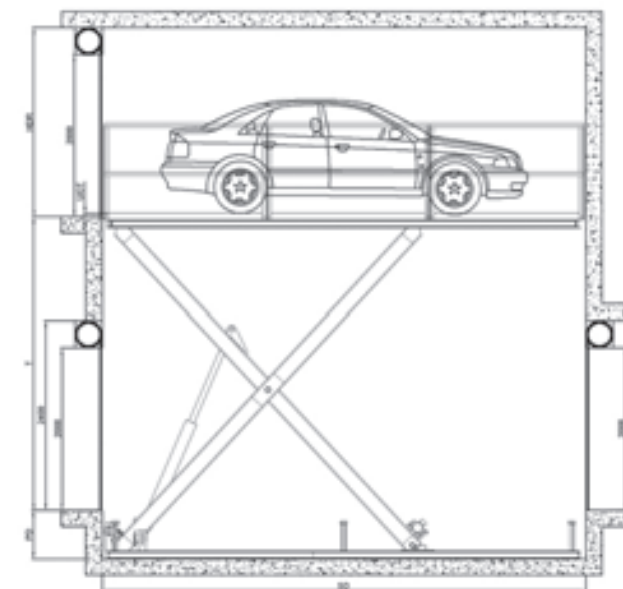
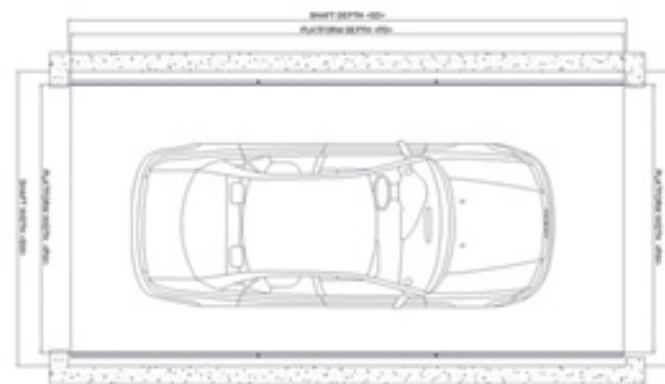




DP-X1 is the perfect solution to connect parking levels and street without ramps. It is equipped with a sturdy hydraulic, scissors type, elevating mechanism, making it ideal for car dealerships and parking buildings. It requires a minimum pit depth while no shaft or guidance is necessary.

Specifications

• Lifting Weight	2000 kg	3000 kg
• Pit	600 mm	600 mm
• Headroom (HD)	2400 mm	2400 mm
• Travel (H)	3250 mm	3600 mm
• Platform width (PW)	2500 mm	3000 mm
• Platform depth (PD)	5000 mm	6000 mm
• Shaft width (SW)	2700 mm	3200 mm
• Shaft depth (SD)	5050 mm	6050 mm
• Motor	5.5 kW	5.5 kW
• Max vertical speed:	4.8 m/min	3 m/min



DP-X1

Doppler Multi Parking Systems

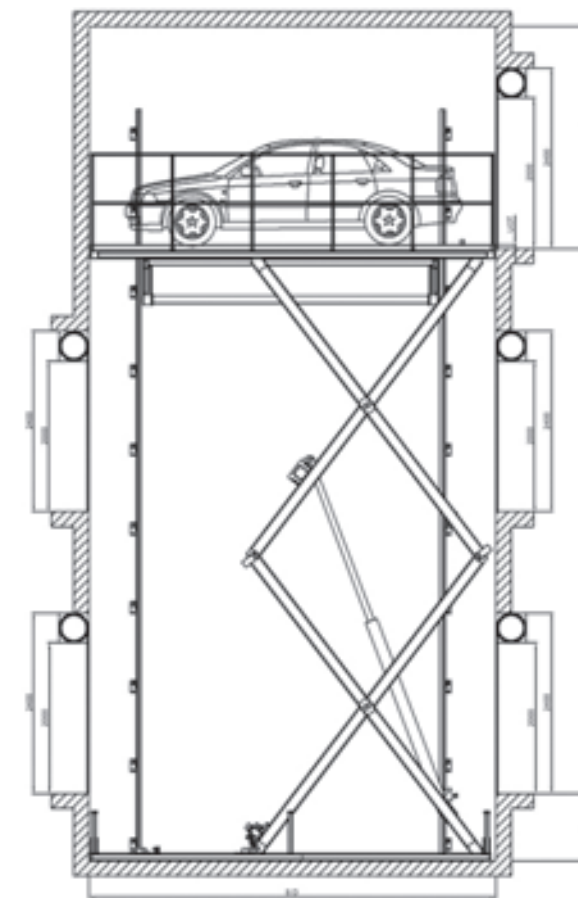
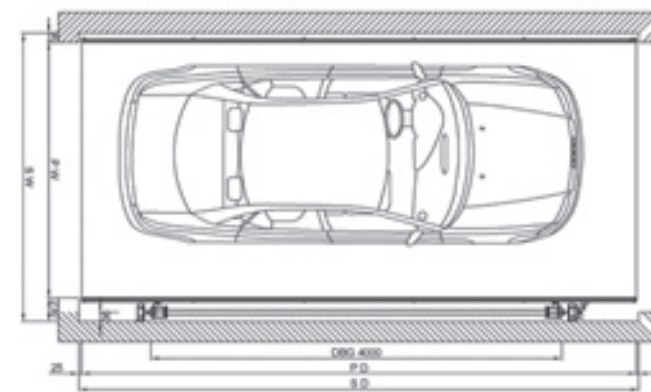




DP-X2 is the extended version of **DP-X1**. It features the same characteristics while being suitable for bigger travel distances. For travel over 4500mm, guidance will be necessary to improve stability

Specifications

• Lifting Weight	2000 Kg	3000 kg	5000 Kg
• Pit	900 mm	900 mm	1200 mm
• Headroom (HD)	2400 mm	2400 mm	2400 mm
• Travel (H)	6500 mm	7200 mm	6500 mm
• Platform width (PW)	2500 mm	3000 mm	3000 mm
• Platform depth (PD)	5000 mm	6000 mm	6000 mm
• Shaft width (SW)	2850 mm	3320 mm	3320 mm
• Shaft depth (SD)	5050 mm	6050 mm	6050 mm
• Motor	7.7 kW	10.5 kW	10.5 kW
• Max vertical speed:	4.8 m/min	4.2 m/min	4.2 m/min



DP-X2

Doppler Multi Parking Systems



Network



Network

Doppler Parking Systems

Until 2008, the Greek (domestic) market represented 65% of Doppler's annual sales. Now, however, this ratio tends to be reversed, with exports holding the largest sales share. The continuous growth, due to the combination of the high quality products and competitive prices, has consolidated Doppler's position as one of the biggest lift manufacturers in Southeastern Europe. Doppler's

exports orientation and the considerable presence in Northern Europe lift markets is a sure proof of the capability of the company and the quality level of products and services. The main foreign market is UK, where 12% of the total sales is being achieved.

Network
Doppler Parking Systems



Factory – Head Office

Polykastro Industrial Park, 61200

Tel.: +30 23430 20140, 20150, Fax: +30 23430 23701

E-mail: info@doppler.gr

Athens Office - Showroom

12, Lassani str., 12132 Peristeri, Athens

Tel.: +30 210 3416210, 210 5789881, Fax: +30 210 3416474

E-mail: infoath@doppler.gr

Warehouse

Kyrillos, Attiki Odos Exit 4, Aspropirgos, 19300 Athens

Tel.: +30 210 5595163, Fax: +30 210 5596651

www.doppler.gr

