

Checkmat

Label inspectors



All-around check for maximum safety and performance

Is there a label present on the container? Is it positioned correctly? And is it the right label? The Checkmat inspection systems give you a clear answer to each of these questions. Because they carefully examine labels, dates and codes and make sure that only flawless products are put to sale.

At a glance

- Inspection of
 - Labels
 - Dates
 - Codes
- Efficient technology thanks to the newly developed camera unit

Benefits to you

- Maximum product quality and safety thanks to the inspection of labels and dates/codes
- Increased line efficiency thanks to automatic detection and rejection of faulty material
- Efficient and easy to operate inspection technology



What's new?

Efficient inspection of front labels



Up to now: Inspection with two cameras



New: Efficient inspection with only one camera
(picture: without enclosure)



Label inspection: all options at a glance

Inspection criteria:

- Presence, position and slanted position
- Identity by means of comparison of samples and logos or 2D-codes
- Identity according to the ID number (OCR-B)
- Protruding areas

Inspection of the bar code for

- correctness

Inspection of the date/code for

- presence
- Optical Character Recognition (OCR-B)

Only one inspection camera for shoulder and body label needed





Label inspection

Technical features

- 2 cameras inspect the front and the back of the container
- Inspection range of 235 or 300 millimetres
- LED lighting
- Output: up to 90,000 containers per hour
- Application independent of the label position

Benefits to you

- No adjustment of camera and lighting units required
- High flexibility regarding the label design
- Suitable also for glossy labels





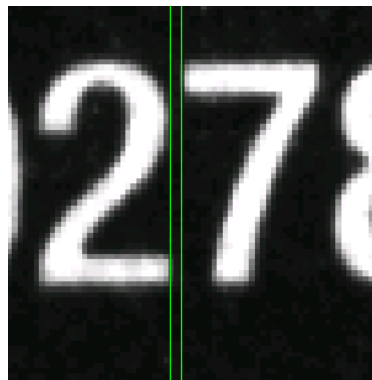
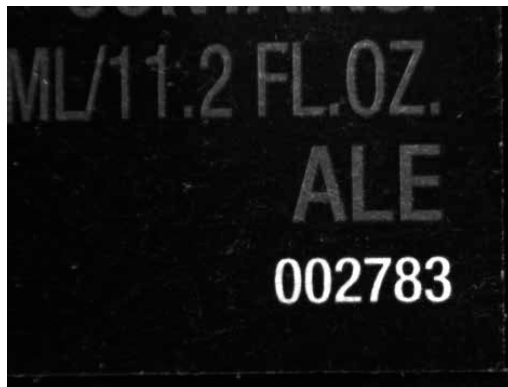
Inspection of the ID number

Technical features

- Camera
- Inspection area of 100 millimetres

Requirements

Minimum requirements for height and distance



Inspection of the ID number for

- correctness

OCR-B ABC123456



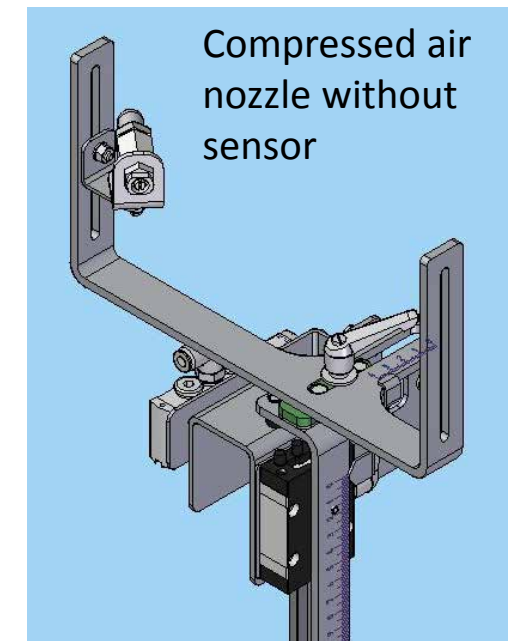
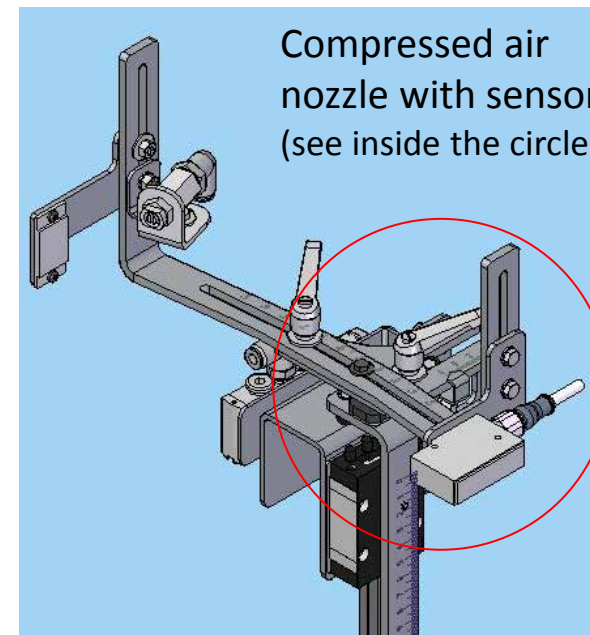


Detection of protruding labels

Technical features

- Camera and sensor
- Compressed-air nozzle
- Detection area as of 10 millimetres (protruding)

Detection of protruding labels	Compressed-air nozzle	Sensor	Camera of the label inspection unit
Paper labels	X	Belt-driven table	Belt-driven table and servo motor table
Print applied over the entire plastic label	X	Belt-driven table	Belt-driven table and servo motor table
No-label-look labels	X	Belt-driven table and servo motor table	





Safety management

Password protection with transponder

- Logon of an authorised person prior to the start of production
- Permanent password protection with automatic logout function
- Logon via uniform transponder technology, e. g. filler, labeller, etc.

Rejection monitoring

- Monitoring of the rejection unit





Everything from a single source

Training sessions at the KRONES Academy – trained personnel increases your line efficiency

The versatile training offer ranges from operation, servicing and maintenance to management training. We will gladly also establish your individual training programme.

KRONES Lifecycle Service – partner for performance

Also after having purchased a new machine, KRONES will take care of your line; the LCS experts are always ready to consult you and translate your goals and wishes into optimal LCS solutions.





Digitalisation



Process
technology



Bottling and
packaging equipment



Intralogistics



Lifecycle
Service

We do more.

 **KRONES**