

NOVA
CERTIFICATION

ISO 9001:2008



alternative
market



Disabled Persons



DOPPLER VPL VERTICAL PLATFORM LIFT

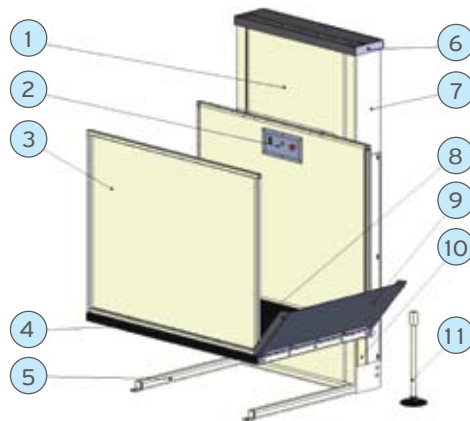
DOPPLER
lift manufacturers

www.doppler.gr | info@doppler.gr

Benefits

- **Capacity up to 340kg**
- **Speed 0.04m/sec**
- **Power supply 230 VAC, 1 phase**
- **Safety**
 - Manual hand crank in case of power failure
 - Safety underpan sensor
 - Automatic Safety ramp on platform
 - Side guard panels
- **Durability for outdoor or indoor use**
 - Zinc-coated platform
 - Weather resistant lock
- **Easy Access**
 - Automatic access ramp
 - Oriented for porch and deck access
- **Simple operation**
 - Key access on car and landing stations
 - Constant pressure controls for operation
 - Emergency Stop switch
- **Precision movement & Strength**
 - Acme screw drive with back-up nut
- **Easy installation**

No.	DESCRIPTION	No.	DESCRIPTION
1	Front tower panel	7	Tower
2	Car operating panel (C.O.P.)	8	Non-skid platform
3	Side guard panel	9	Automatic access ramp
4	Safety underpan sensors	10	Access ramp channel
5	Self support base	11	Manual lowering device
6	Tower cover	-	-



No.	DESCRIPTION	No.	DESCRIPTION
1	Motor	10	Battery (optional)
2	Main pulley	11	Battery tray
3	V strap	12	Pulley
4	Controller box	13	Limit switches (configuration and type may vary)
5	Acme screw	14	"U" strut
6	Left roller guide	15	Access ramp channel
7	Lower bearing	16	Right roller guide
8	Lower bearing plate	17	Cam assembly
9	Self support base	18	Carriage assembly

