



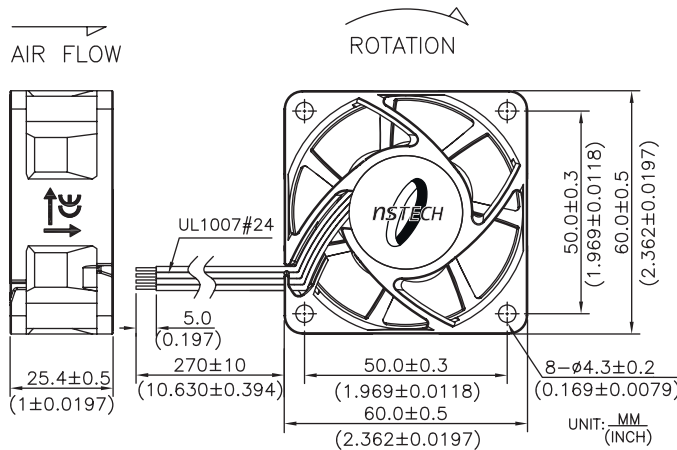
# Superior Series (PS) 60mmx60mmx25mm



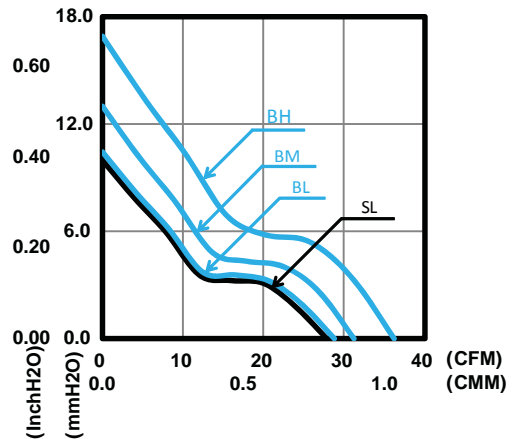
- Bearing Type : FLB (Only SL Model), Ball Bearing
- Function Type (Optional) : FG Signal, RD Signal, PWM
- Protection :
  - Auto Restart Protection, Polarity Reverse Protection
- Lead Wire :
  - UL 1007 AWG #24 OR Equivalent
  - Red Wire : Positive (+)
  - Black Wire : Negative (-)
  - Yellow Wire : FG Signal, RD Signal
  - Blue Wire : PWM



## ★ Dimensions Drawing



## ★ Performance Curves



Specification		Rated Voltage	Operating Voltage	Rated Current	Input Current	Input Power	Rated Speed	Air Flow		Air Pressure		Noise
Model	Function Type	VDC	VDC	Amp	Amp	Watt	RPM	CMM	CFM	mmH <sub>2</sub> O	InH <sub>2</sub> O	dBA
PSAD16025SL	P000/PF00 PR00/M000 MF00/MR00	12	6~13.8	0.24	0.19	2.28	5400	0.79	27.9	9.96	0.39	40.0
PSAD16025BL	P000/PF00	12	6~13.8	0.24	0.17	2.04	5500	0.82	28.8	10.44	0.41	41.0
PSAD16025BM	PR00/M000	12	6~13.8	0.27	0.21	2.52	6100	0.89	31.2	12.98	0.51	43.0
PSAD16025BH	MF00/MR00	12	6~13.8	0.40	0.32	3.84	7000	1.03	36.3	16.91	0.67	48.0

\* Function type is optional  
 \* The data shows typical value at rated voltage  
 \* Sound level is measured at the distance of one meter from fan intake side  
 \* Specifications are subject to change without notice