

Locating pins with ball-end Form A

Item description/product images



Description

Material:

Tool steel or 1.4305 stainless steel.

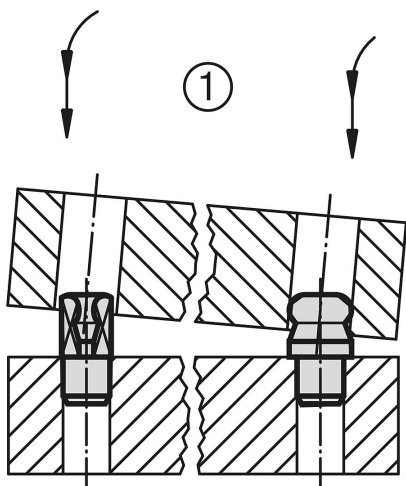
Version:

Steel hardened and ground.

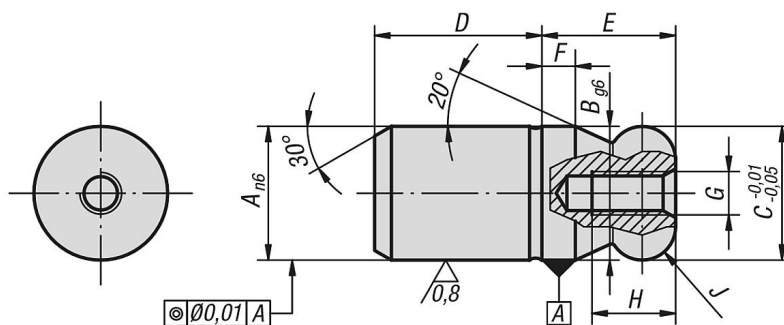
Stainless steel ground and kolsterised.

Note:

Ball end locating pins are specially designed to ease the locating process. The tendency to jam, caused by the locating hole not being at right angles to the pin or by the pushing force not being parallel to the pin axis, is minimized by the ball-end form (see illustration 1 for B0174 Form B)



Drawings



Overview of items

Locating pins with ball-end Form A

Order No.	Material	A	B	C	D	E	F	G	H	J
B0173.05	tool steel	5	5	5	6	5	2	M2,5	4,5	R 1
B0173.06	tool steel	6	6	6	8	6	2	M3	5	R 1
B0173.08	tool steel	8	8	8	10	8	2	M3	6	R 2
B0173.10	tool steel	10	10	10	13	10	2,5	M3	6	R 2,5
B0173.12	tool steel	12	12	12	15	12	3	M4	8	R 3
B0173.14	tool steel	14	14	14	17	14	3,5	M4	8	R 3,5
B0173.16	tool steel	16	16	16	20	16	4	M5	10	R 4
B0173.20	tool steel	20	20	20	25	20	5	M5	10	R 5
B0173.25	tool steel	25	25	25	25	25	6	M5	10	R 6
B0173.30	tool steel	30	30	30	30	30	8	M6	12	R 8
B0173.40	tool steel	40	40	40	40	40	10	M6	12	R 10

Locating pins with ball-end Form A

Overview of items

Order No.	Material	A	B	C	D	E	F	G	H	J
B0173.50	tool steel	50	50	50	50	50	12	M6	12	R 12
B0173.505	stainless steel	5	5	5	6	5	2	M2,5	4,5	R 1
B0173.506	stainless steel	6	6	6	8	6	2	M3	5	R 1
B0173.508	stainless steel	8	8	8	10	8	2	M3	6	R 2
B0173.510	stainless steel	10	10	10	13	10	2,5	M3	6	R 2,5
B0173.512	stainless steel	12	12	12	15	12	3	M4	8	R 3
B0173.514	stainless steel	14	14	14	17	14	3,5	M4	8	R 3,5
B0173.516	stainless steel	16	16	16	20	16	4	M5	10	R 4
B0173.520	stainless steel	20	20	20	25	20	5	M5	10	R 5