

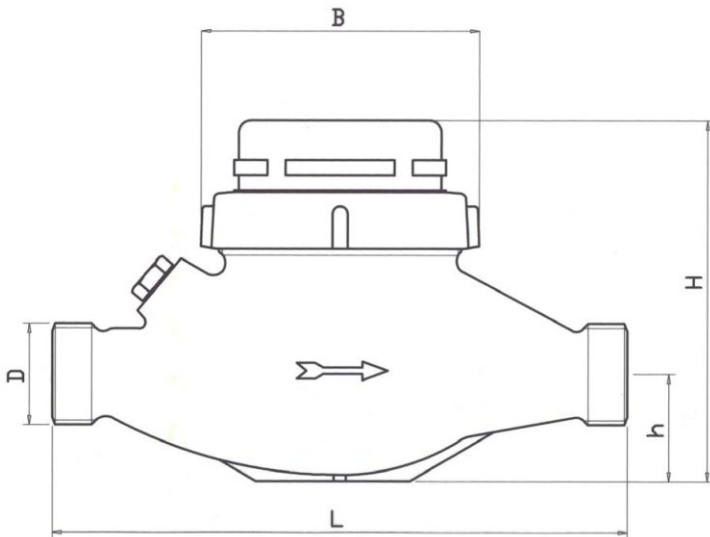


- Water treatment
- Water distribution network
- Irrigation
- Filtration plant
- Industrial water applications
- Flow sensors works with 9 - 24 V DC
- Various pulse outputs between 0.1, 0.25, 0.50, 1, 10, 100, 1000 lt/pulse
- 4-20 mA analog output
- Optional 90°C / Standart 50°C

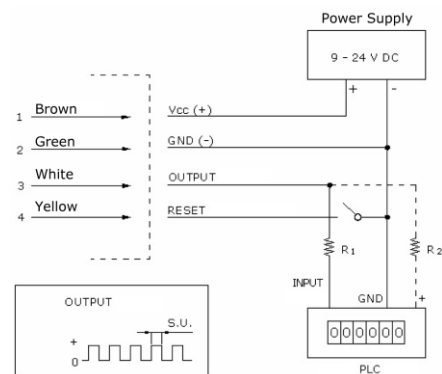
Technical Specifications

Nominal diameter	DN	mm	20	25	40	50
Nominal flow rate	Q_3	m^3/h	2,5	6,3	16	25
Maximum flow rate	Q_4	m^3/h	3,125	7,8	20	31,25
Minimum flow rate	Q_1	l/h	31,2/25/15,6	78,7/63/39,3	200/160/100	312,5
Transitional flow rate	Q_2	l/h	50/40/25	126/100,8/63	320/256/160	500
Maximum working pressure	P_{max}	bar	16	16	16	16
Pressure loss <small>(max. Q_3)</small>	ΔP	bar	0,4	0,63	0,63	0,63
Maximum working temperature	T_{max}	°C	50/90	50/90	50/90	50/90
Overall length	l	mm	190	260	300	350
Width	B	mm	95	98	133	160
Total Height	H	mm	112	140	170	205
Height to pipe axis	h	mm	34	41	51	75

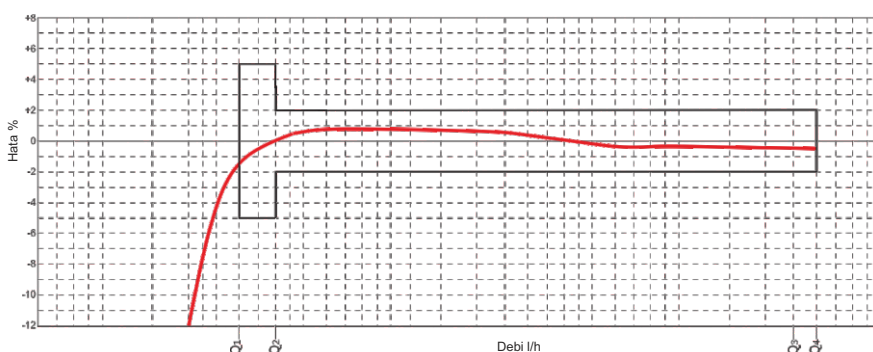
Dimensions



Connection diagram



Error Curve



Pressure Loss

