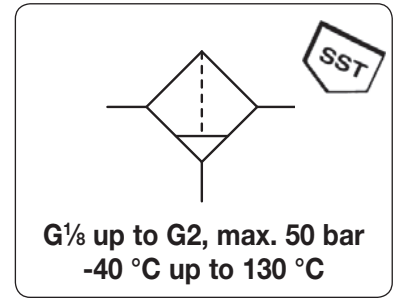


Filter Made of Stainless Steel Throughout, up to 50 bar

F3000

Description	Filter with bowl without sight glass completely made of stainless steel, extremely robust, suitable for compressed air, gases or liquids. Application examples are the chemistry, petroleum processing as well as food industry and medical technology.
Filter element	50 µm, optionally 5 µm, made of stainless steel
Bowl	stainless steel version without sight glass
Drainage	screw plug as standard, optionally manual drain (max. 30 bar) or automatic drain (max. 16 bar)
Operating pressure	max. 50 bar (without drain)
Temperature range	0 °C to 80 °C / 32 °F to 176 °F for FKM or EPDM 0 °C to 130 °C / 32 °F to 266 °F for high temperature version, for appropriately conditioned compressed air down to -20 °C / -4 °F, or low temperature version down to -40 °C / -40 °F
Material	Body: stainless steel 316L, material no. 1.4404 Bowl: stainless steel 316L, material no. 1.4404 Elastomer: FKM, optionally EPDM Inner valve: stainless steel 316L, material no. 1.4404



Dimensions			Bowl capacity	Flow rate	Operating pressure	filter element	Connection thread	Order number
A	B	C						
mm	mm	mm	l	m ³ /h*1	l/min*1	bar	µm	G

Stainless steel filter, up to 50 bar								with screw plug, 50 µm		F3000
40	92	80	0.04	45	750	50	50	G ¹ / ₈	F3000-01	
				45	750			G ¹ / ₄	F3000-A2	
64	139	125	0.15	54	900	50	50	G ¹ / ₄	F3000-02	
				60	1 000			G ³ / ₈	F3000-03	
79	150	130	0.28	150	2 500	50	50	G ¹ / ₂	F3000-04	
				162	2 700			G ³ / ₄	F3000-A6	
89	191	165	0.58	432	7 200	50	50	G ³ / ₄	F3000-06	
				432	7 200			G ₁	F3000-08	
180	298	216	1.00	900	15 000	50	50	G ¹ / ₂	F3000-12	
				960	16 000			G ₂	F3000-16	



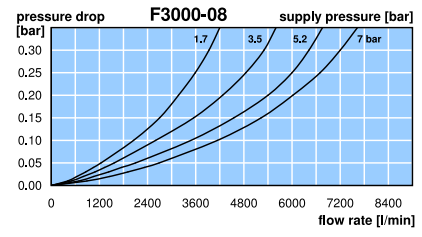
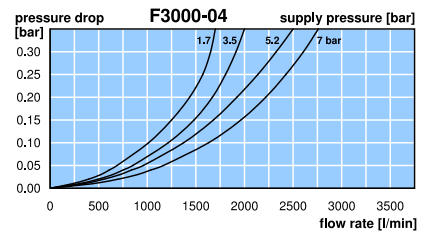
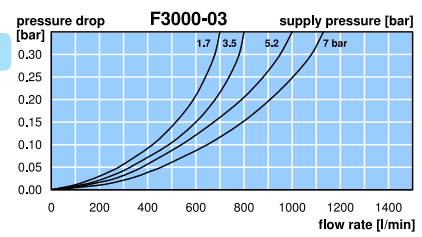
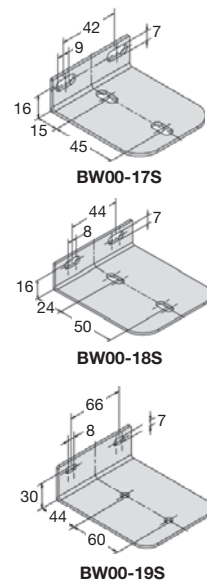
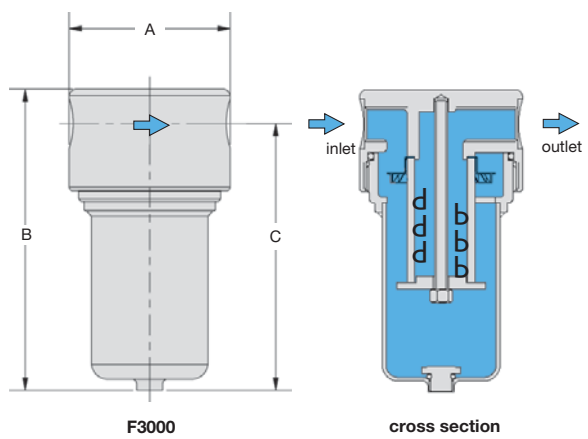
Special options, add the appropriate letter or number

5 µm filter element				for G ¹ / ₄ (02) and G ³ / ₄ (A6)	F3000-..G
				for G ³ / ₄ and G ₁	F3000-..G
				for G ¹ / ₂ and G ₂	F3000-..G
NPT connection thread					F3000-..N
up to -40 °C / -40 °F low temperature version				from G ¹ / ₄ (02) on	F3000-..X51
up to 130 °C / 266 °F high temperature version				from G ¹ / ₄ (02) on	R3000-..X54
manual drain max. 30 bar					F3000-..H
automatic drain max. 16 bar				for G ¹ / ₄ (02) to G ₂	F3000-..R
EPDM elastomer					F3000-..E
nitrogen N₂: 07		ammonia NH₃: 02		carbon dioxide CO₂: F3000-...03	
argon Ar: 05		helium He: 09		hydrogen H₂: F3000-...11	
methane CH₄: 13		oxygen O₂: 15		propane C₃H₈: F3000-...16	
nitrous oxide N₂O: 17				water H₂O: F3000-...W	
flange connection	see end of the chapter / flanges				F3000-...F.



Accessories, enclosed

mounting bracket		for G ¹ / ₄ (02) and G ³ / ₈	BW00-17S
		for G ¹ / ₂ and G ³ / ₄ (A6)	BW00-18S
		for G ³ / ₄ (06) and G ₁	BW00-19S



*1 at 7 bar operating pressure and 0.33 bar pressure drop