

Craftmate C

The can filler for the low output range



Technology from large breweries for craft brewers

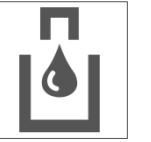
When it comes to filling craft beer into cans, Craftmate C is your ideal partner. The KRONES can filler is an expert for the low output range. It safely cans even small production quantities starting from 12,000 containers per hour* and it offers double flexibility: This all-rounder processes cans of various sizes and formats, and copes with beer as well as with carbonated beverages.

At a glance

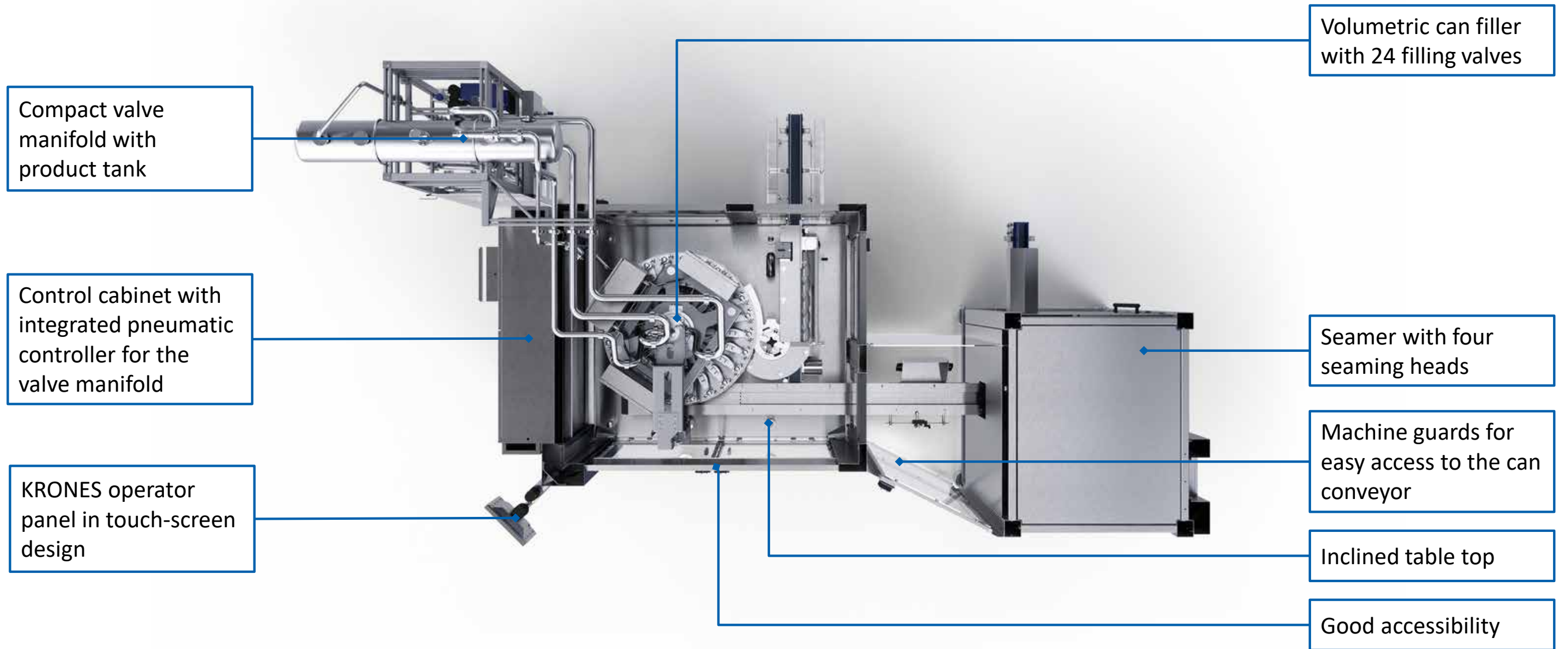
- Filling beer in cans
- High flexibility also in the low output range
- Cost-efficient bottling technology in the familiar KRONES quality
- High filling quality with guarantee values comparable with high-performance machines
- Short change-over times for different can sizes
- Compact design

**Based on a content of 16 oz*





The components

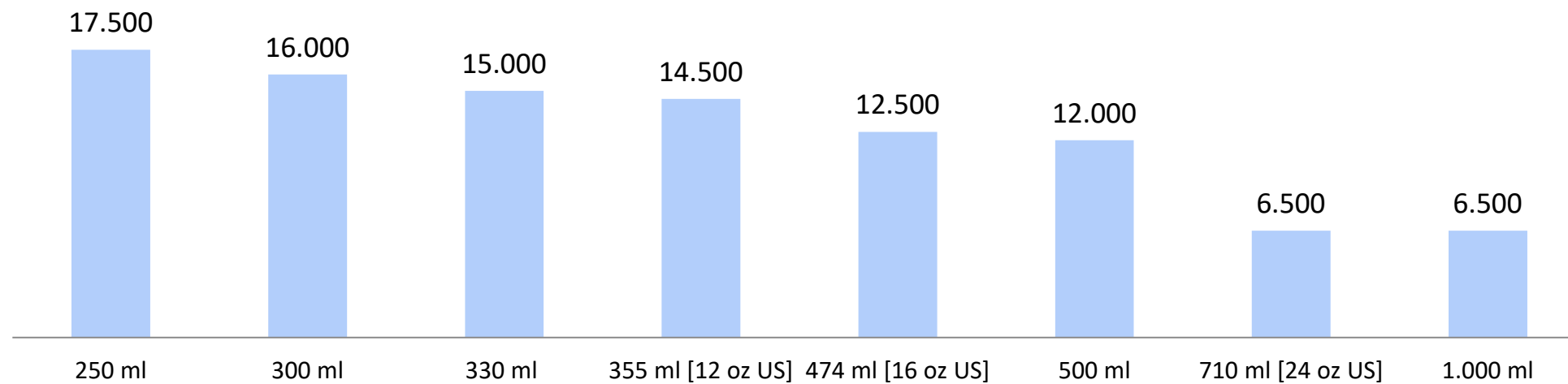




Facts and figures

Diameter	1,080 mm
Number of the filling valves	24
Pitch diameter	141 mm
Products	Beer and carbonated refreshment drinks
Can sizes	Standard format: 211/202 Optional: 204/202 to 300/209
Product temperature	2 °C to 16 °C
CO ₂ -content	3.8 g/l to 6.0 g/l

Specific output [cans/hour]* (parameter: Beer 5.6 g/CO₂ 5 °C)



*Depending on the can volume and diameter and the product properties



Details

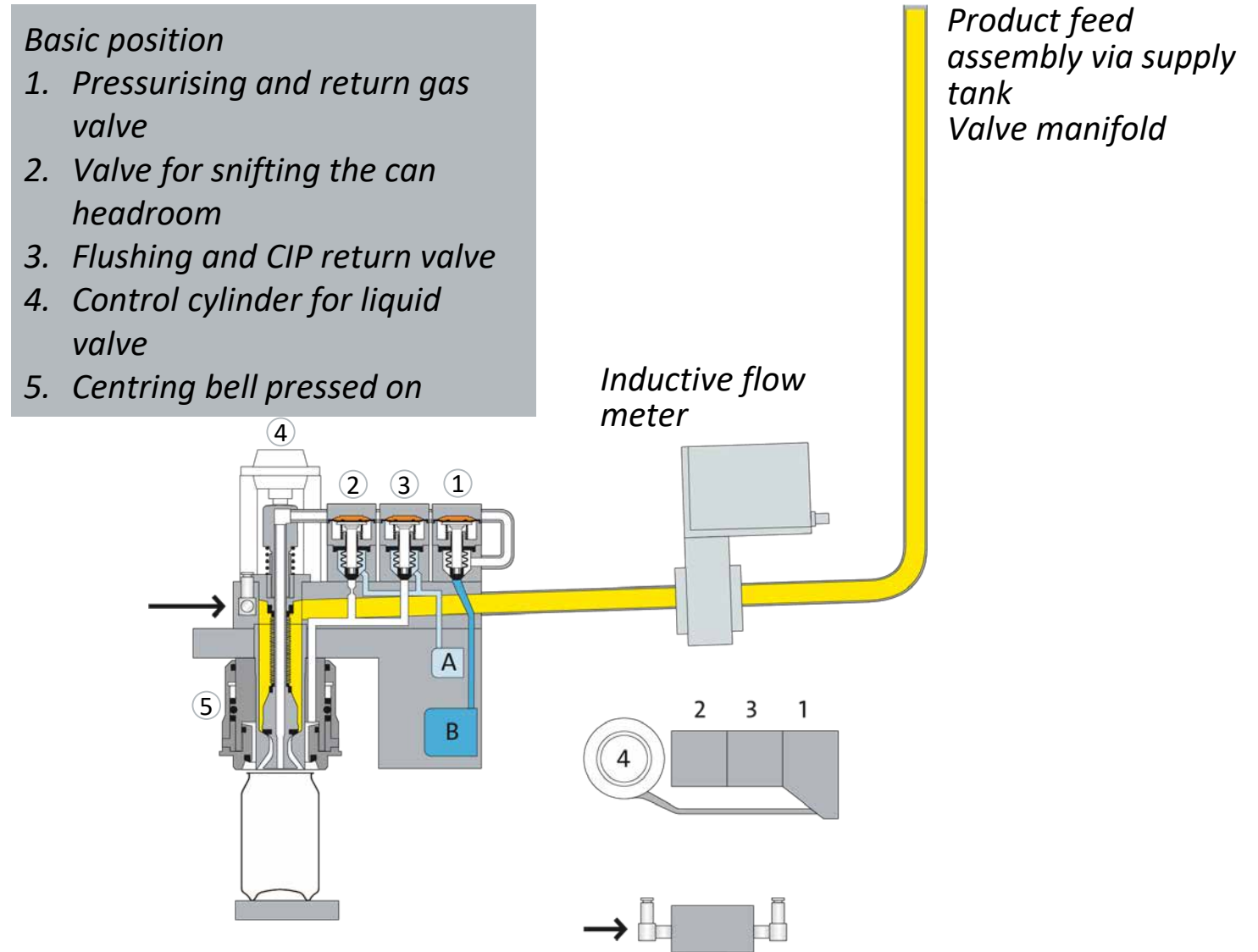
Filling system	Volumetric filler with inductive flow meter
Valve manifold	Manual version (KRONES Standard) for the least possible product loss with product tank installed on top
CIP cups	Manual insertion of CIP cups
CIP	Closed CIP circuit
Height adjustment system	Manual
Machine type	Tabletec table top (stainless steel) in inclined design for draining of cleaning agents
Design basis	Compact machine for easy transportation (sea freight)
Electrical power supply	Siemens S7 or Allen Bradley
Filler-capper block	Servo motor connection of the can seamer
Drive	Servo drive technology
Seamer	4 seaming heads





Technical details

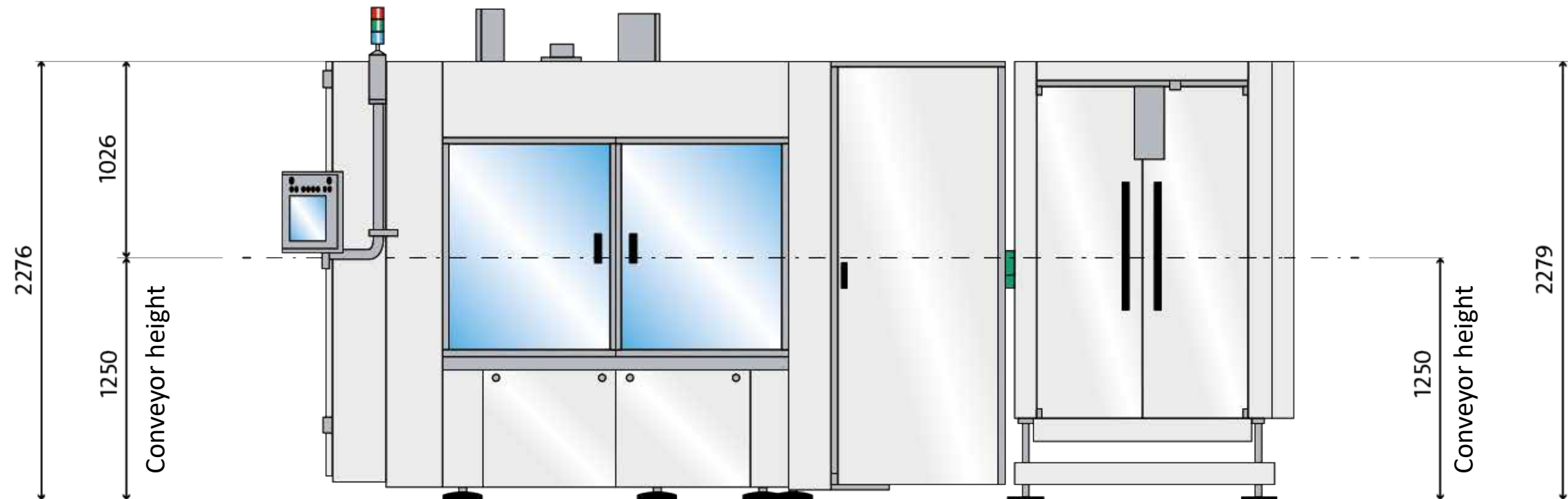
- Filling valve with pneumatically controlled centring bell without lifting cam
- Cylinder with Teflon bellows for controlling the process gas
- Inductive flow meter for fill quantity determination
- Product tank at the valve manifold for product supply





Dimensions

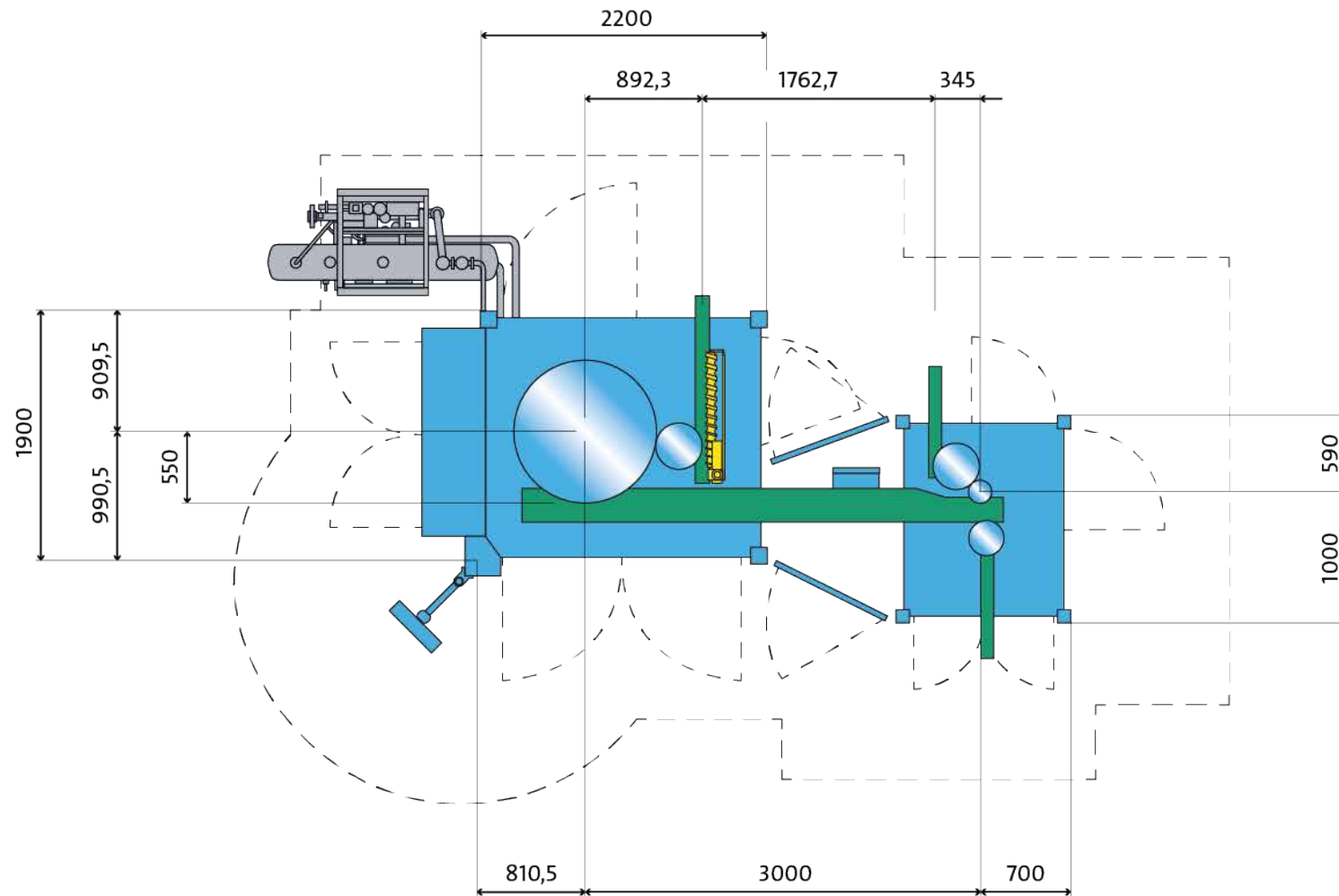
The dimensions of the filler correspond with the measurements of a sea freight container. This way, you can save costs during the transportation.





Footprint

The Craftmate C features a convincing compact design with ease of access on a small footprint.





Benefits to you

Double flexibility

The Craftmate C is your specialist for can filling in the low output range and it is flexible at the same time: It fills both beer and carbonated beverages in different can sizes and shapes.

Innovative technology

The electropneumatically-controlled filling valves work very reliably and thanks to the inductive flow meter, the fill quantity can be determined up to the point. Pressing-on and pressurisation of the cans is performed via a double-acting cylinder and a differential pressure chamber.

Easy to clean

An inclined table top and manually inserted CIP cups ensure easy machine cleaning.

Compact design

The product is fed to the machine via laterally-positioned buffer tanks and the valve manifold and control cabinet are right next to the filler. This way, the Craftmate C requires only very little space in the bottling hall.

Low transport costs

Of course, these compact dimensions have plus factors when it comes to the transport: Since the entire machine can be placed in one sea freight container, the costs for shipment are accordingly low.



Everything from a single source

Training sessions at the KRONES Academy – trained personnel increases your line efficiency

The versatile training offer ranges from operation, servicing and maintenance to management training. We will gladly also establish your individual training programme.

KIC KRONES cleaning agents make your machine shine

Only if the production environment is immaculate, can your product be brilliant. KIC KRONES provides you with the optimum cleaning agents and disinfectants for each individual production step.

Lubricants from KIC KRONES for every production step

Whether for gears, chains or central lubrication systems – our greases and oils are true all-round talents. You can reach every lubrication point, protect your line and provide gentle treatment for your product thanks to our products' suitability for food.

KRONES Lifecycle Service – partner for performance

Also after having purchased a new machine, KRONES will take care of your line; the LCS experts are always ready to consult you and translate your goals and wishes into optimal LCS solutions.

EVOGUARD – excellent valve technology all along the line

The valve series of EVOGUARD comprises a modular system with hygienic and aseptic components which contributes to every point of the production line with increased performance and which has the perfect solution for every process step.

EVOGUARD – pumps for absolute process safety

In addition to the separation and locking of a line, one thing is particularly important - and that is the reliable conveyance of your product. This is why EVOGUARD also offers innovative centrifugal pumps in addition to high-quality valves.



Digitalisation



Process
technology



Bottling and
packaging equipment



Intralogistics



Lifecycle
Service

We do more.

 **KRONES**