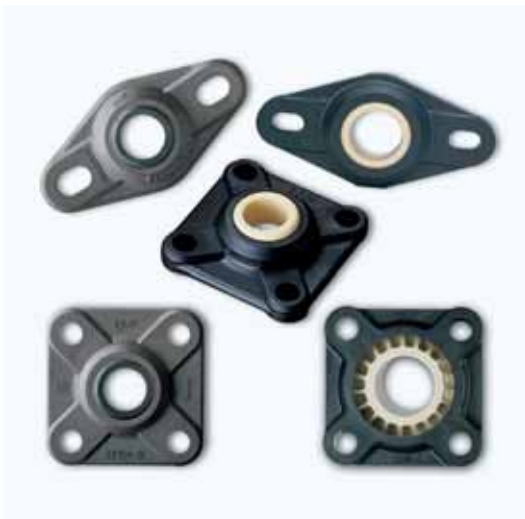


igubal®
Flange Bearings

Phone +49 - 22 03 - 96 49-145
Fax +49 - 22 03 - 96 49-334

igubal® Flange Bearings



Maintenance-free, self-lubricating

High strength under impact loads

High tensile strength

Compensation of alignment errors

Compensation for edge loads

Resistant to chemicals

Light weight



igubal®
Flange Bearings

Phone +49 - 22 03 - 96 49-145
Fax +49 - 22 03 - 96 49-334

igus® GmbH
51147 Cologne

Internet www.igus.de
E-mail info@igus.de

igubal® Flange Bearings – Dimensional Series



Like all igubal® products, these bearings consist of an igumid G housing and an iglidur® W300 spherical ball. igubal® flange bearings are made to the dimensional series E and are offered with two or four mounting holes.

Areas of Application

Since igubal® flange bearings are made for maintenance-free use, they are especially suitable for applications in which access to the bearing is limited, in moist or wet environments or clean room environments. igubal® flange bearings are also found in electric brushes, awnings, conveyor technology, and bakery machines.

Installation

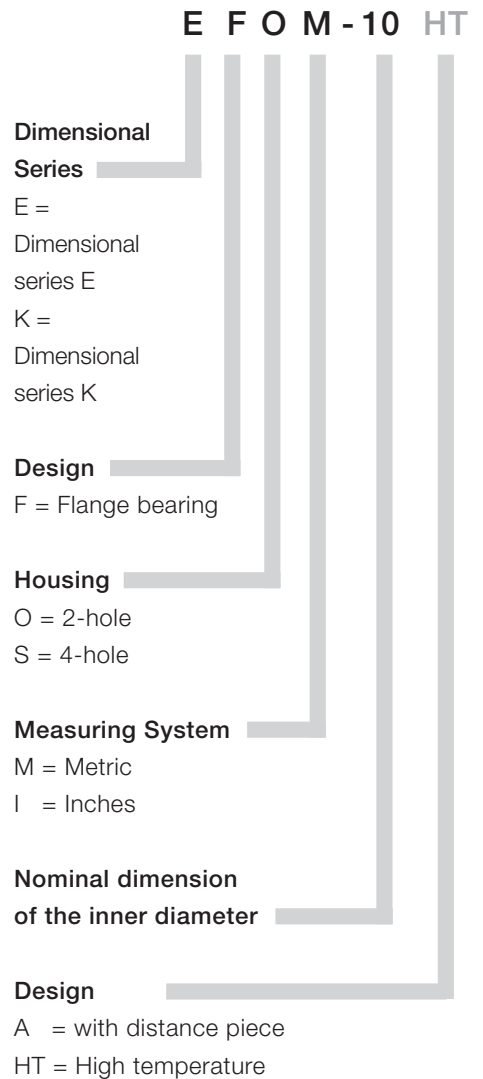
igubal® flange bearings are designed for mounting with 2 or 4 bolts, depending on the design. The 2-hole types are provided with elongated holes, which allow easy and flexible installation. An exact positioning of the bearing housing is not necessary, since the flange bearing compensates for alignment errors.

Product Range

igubal® flange bearings with 2 and 4 mounting holes can be obtained in the standard dimensions for shafts of 4 to 50 mm. Please contact us for additional dimensions.

Structure for Part Numbers of igubal® Flange Bearings

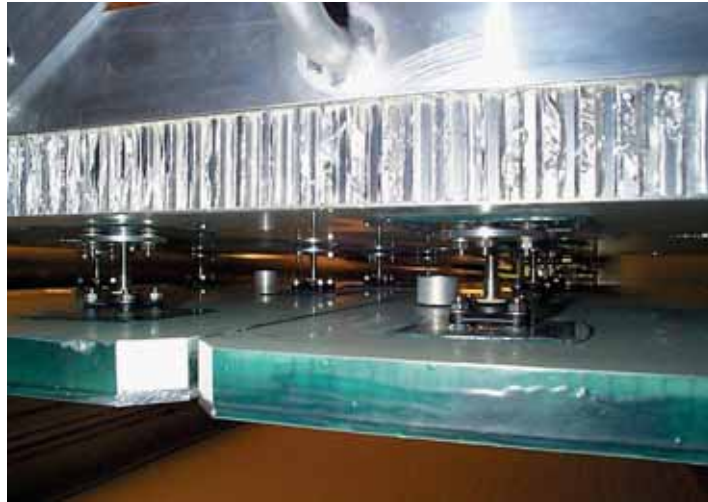
The part numbers of igubal® flange bearings are designed according to the following system:



The example shows a metric 2-hole flange bearing of the dimensional series E with a spherical ball inner diameter of 10 mm.



Picture 54.1: Reflector telescope in La Palma, Spain (for details see picture 54.2)



Picture 54.2: igubal® flange bearing in the reflector adjustment of the telescope



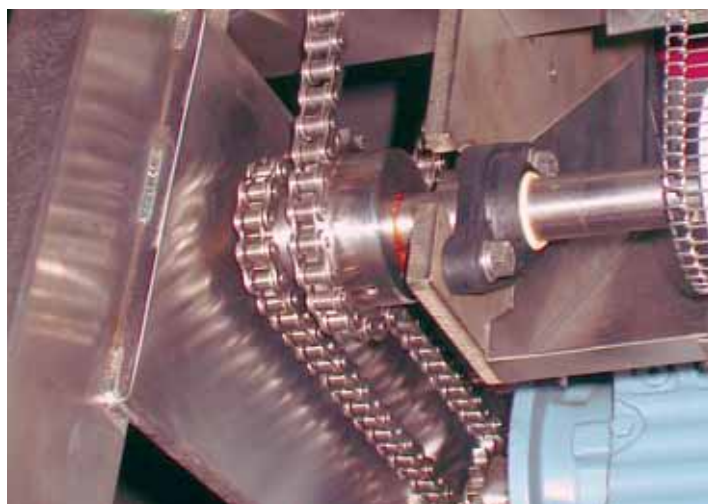
Picture 54.3: Outdoor cleaning machine (for details see picture 54.4)



Picture 54.4: igubal® flange bearing in the drive shaft of the outdoor cleaning machine



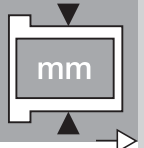
Picture 54.5: Leaching system for bakery products (for details see picture 54.6)



Picture 54.6: igubal® flange bearing in the drive of the conveyor belt

igubal®
Flange Bearings

Phone +49 - 22 03 - 96 49-145
Fax +49 - 22 03 - 96 49-334





With 2 mounting holes

Special Properties

- igumid G housing
- iglidur® W300 highly wear resistant spherical ball
- Easy to install
- Compensation for alignment errors
- Corrosion resistance
- Light weight
- Maintenance-free, self-lubricating



Material

Housing: igumid G
 ► Page 70.6
 Spherical Bearing: iglidur® W300
 ► Chapter 5

Load Data

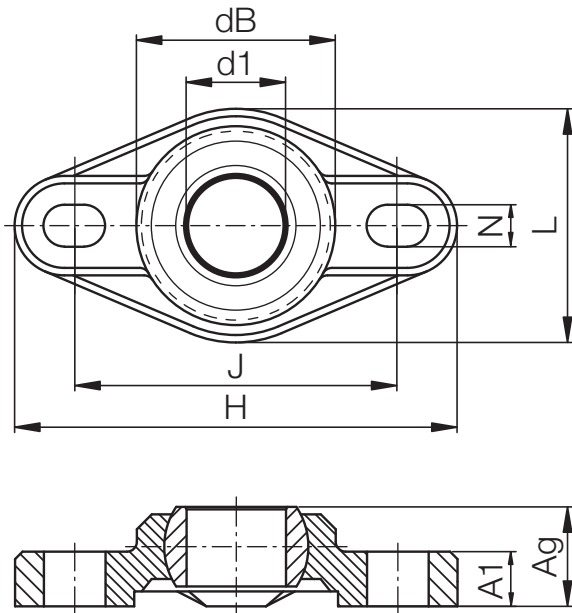
igubal® – Flange Bearing EFOM with 2 Mounting Holes

Part number	Max. axial permissible tensile strength spherical ball [N]	Max. axial permissible tensile strength long term [N]	Max. radial permissible tensile strength [N]	Max. radial permissible tensile strength long term [N]	Max. Torque for Longitudinal holes [Nm]
EFOM-04	400	200	750	375	0,6
EFOM-05	400	200	750	375	0,6
EFOM-06	500	250	800	400	0,6
EFOM-08	700	350	1100	550	1,3
EFOM-10	850	425	2000	1000	2,5
EFOM-12	1100	550	2200	1100	2,5
EFOM-15	1300	650	2400	1200	4,5
EFOM-16	1400	700	2800	1400	4,5
EFOM-17	1800	900	3200	1600	4,5
EFOM-20	1800	900	5500	2750	10,5
EFOM-25	3000	1500	6000	3000	10,5
EFOM-30	3500	1750	6500	3250	21,5



The igubal® flange bearings provide a low-cost and easy option for corrosion-resistant bearing assemblies in the attachments for lawn care and outdoor cleaning.

Lifetime calculation, CAD files and much more support ► www.igus.de/en/efom



Data in mm

Structure – part no.

E F O M-04



Material

Housing: igumid G

► Page 70.6

Spherical Bearing:

iglidur® W300

► Chapter 5

Dimensions [mm]

igubal® – Flange Bearing EFOM with 2 Mounting Holes

Part No	d1 E10	dB	H Size	L Width	J Hole Pitch ±0,1	A ₁ Height of Plate	A ₉ Height Total	N Bore Diameter d x l	Max. Pivot Angle
EFOM-04	4	14,0	33,8	16,0	24,0	4,5	8,5	3,2 x 5,0	28
EFOM-05	5	14,0	33,8	16,0	24,0	4,5	8,5	3,2 x 5,0	29
EFOM-06	6	14,0	33,8	16,0	24,0	4,5	8,5	3,2 x 5,5	25
EFOM-08	8	18,0	44,2	22,0	31,0	5,5	10,5	4,3 x 6,5	25
EFOM-10	10	22,2	52,0	26,0	36,0	6,5	12,0	5,3 x 8,0	25
EFOM-12	12	25,0	56,7	31,0	41,0	7,0	13,0	5,3 x 8,0	21
EFOM-15	15	29,8	68,6	36,0	50,0	8,5	15,5	6,4 x 10,0	20
EFOM-16	16	32,0	72,6	38,0	53,0	10,0	17,5	6,4 x 10,1	27
EFOM-17	17	34,8	74,6	41,0	55,0	10,0	18,0	6,4 x 10,2	21
EFOM-20	20	40,0	89,0	47,0	65,0	11,0	20,0	8,4 x 12,5	19
EFOM-25	25	48,5	101,0	58,5	75,0	14,0	25,0	8,4 x 12,6	15
EFOM-30	30	55,0	118,0	65,0	87,5	15,0	26,0	10,5 x 16,0	14

Available from stock

To apply to following standard tolerances:

from 0,5 to 6 mm: ±0,1 mm

over 6 to 30 mm: ±0,2 mm

over 30 to 120 mm: ±0,3 mm

Spherical bearing material to choose ► Page 57.3



J4VEM:
clearance-free



JEM: Low
moisture absorption



REM:
Low Cost

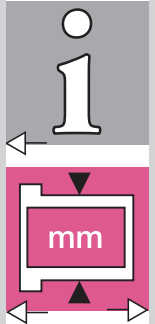
Lifetime calculation, CAD files and much more support ► www.igus.de/en/efom

Flange Bearings

EFOM

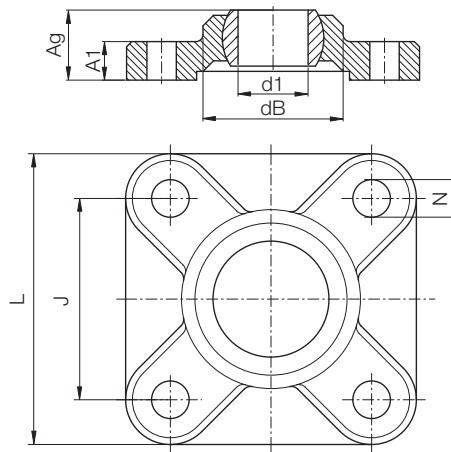
mm

Phone +49 - 22 03 - 96 49-145
Fax +49 - 22 03 - 96 49-334





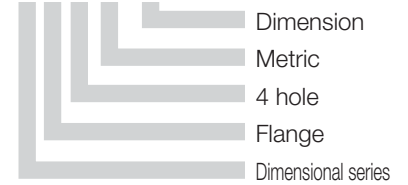
With 4 mounting holes



Data in mm

Structure – part no.

EFSM-04



Material

Housing: igumid G

► Page 70.6

Spherical Bearing:

iglidur® W300

► Chapter 5

Load Data

igubal® – Flange Bearing EFSM with 4 Mounting Holes

Part Number	Maximum static axial load [N]		Maximum static radial load [N]		Maximum torque [Nm]	Max. Pivot Angle
	short term	long term	short term	long term		
EFSM-04	200	100	1000	500	0,6	28
EFSM-05	300	150	1000	500	0,6	29
EFSM-06	300	150	1000	500	0,6	25
EFSM-08	450	225	1400	700	1,3	25
EFSM-10	700	350	2000	1000	2,5	25
EFSM-12	850	425	2500	1250	2,5	21
EFSM-15	1100	550	3000	1500	4,5	20
EFSM-16	1350	675	3200	1600	4,5	27
EFSM-17	1600	800	3400	1700	4,5	21
EFSM-20	2000	1000	4000	2000	10,5	19
EFSM-25	2400	1200	5600	2800	10,5	15
EFSM-30	2800	1400	6000	3000	21,5	14

Dimensions [mm]

igubal® – Flange Bearing EFSM with 4 Mounting Holes

Part Number	d1 E10	dB	L Width	J Hole Pitch ±0,1	A1 Height of Plate	Ag Height Total	N Bore Diameter
EFSM-04	4	14,0	25,0	17,0	4,5	8,5	3,2
EFSM-05	5	14,0	25,0	17,0	4,5	8,5	3,2
EFSM-06	6	14,0	25,0	17,0	4,5	8,5	3,2
EFSM-08	8	18,0	33,0	22,0	5,5	10,5	4,3
EFSM-10	10	21,9	38,0	26,0	6,5	12,0	5,3
EFSM-12	12	25,0	40,0	28,0	7,0	13,0	5,3
EFSM-15	15	30,0	49,0	34,0	8,5	15,5	6,4
EFSM-16	16	32,0	52,0	36,0	9,0	16,5	6,4
EFSM-17	17	35,0	54,0	38,0	10,0	18,0	6,4
EFSM-20	20	40,0	65,0	45,0	11,0	20,0	8,4
EFSM-25	25	48,5	74,0	52,0	14,0	25,0	8,4
EFSM-30	30	54,5	85,0	60,0	15,0	26,0	10,5

Available from stock

Spherical bearing material to choose ► Page 57.3



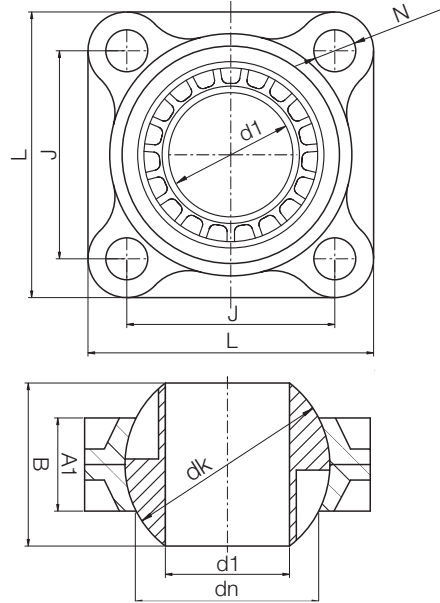
J4VEM:
clearance-free



JEM: Low
moisture absorption



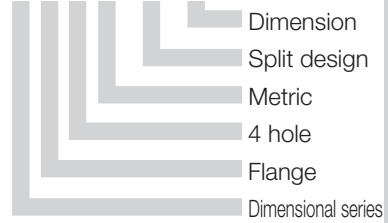
REM:
Low Cost



Data in mm

Structure – part no.

K F S M-GT-35



Material

Housing: igumid G

► Page 70.6

Spherical Bearing:

iglidur® J

► Chapter 3

Special Properties

- Preassembled delivery
- Resistant to dirt
- Light weight
- For high static loads
- High stiffness
- Predictable lifetime
- Maintenance-free dry running

Load Data

igubal® – Flange Bearing KFSM-GT with 4 Mounting Holes

Part No.	Maximum static tensile strength		Maximum static axial compressive strength	
	short term [N]	long term [N]	short term [N]	long term [N]
KFSM-GT-35*	5000	2500	4500	2250
KFSM-GT-40	5000	2500	4500	2250
KFSM-GT-45*	6000	3000	5000	2500
KFSM-GT-50	6000	3000	5400	2700

Max. tightening torque for fixing 30 Nm

Dimensions [mm]

igubal®– Flange Bearing KFSM-GT with 4 Mounting Holes

Part No.	d1 (E10)	dn	dk	A1	B	J	L	N	Max. pivot angle
KFSM-GT-35*	35,0	59,0	66,0	30,0	48,5	66,0	92,0	13,5	24°
KFSM-GT-40	40,0	59,0	66,0	30,0	48,5	66,0	92,0	13,5	24°
KFSM-GT-45*	45,0	72,0	82,0	40,0	60,0	78,0	104,0	13,5	24°
KFSM-GT-50	50,0	72,0	82,0	40,0	60,0	78,0	104,0	13,5	24°

For KFSM with distance pieces, please add an "A" to the part no.

For example: KFSM-GT50A

* Diameter reduces by bearing





EFOM HT

mm

Flange Bearings

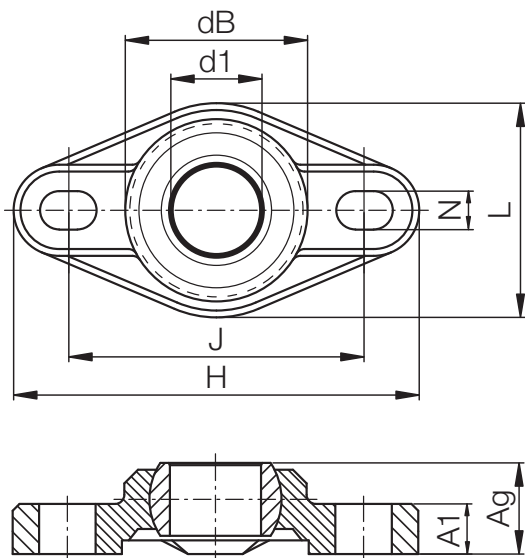
Phone +49 - 22 03 - 96 49-145
Fax +49 - 22 03 - 96 49-334

igus® GmbH
51147 Cologne

Internet www.igus.de
E-mail info@igus.de



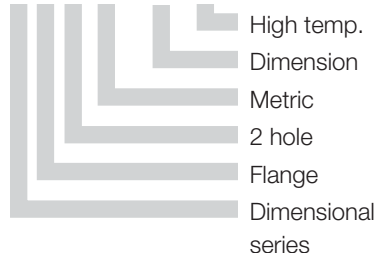
With 2 mounting holes



Data in mm

Structure – part no.

EFOM - 06 HT



Material

Housing: iguton

► Page 70.6

Spherical Bearing:

iglidur® X

► Chapter 6

Special Properties

- Used up to 200°C
- iglidur® X highly wear resistant spherical ball
- Easy to install
- Compensation for alignment errors
- Corrosion resistance
- Light weight
- Maintenance-free, self-lubricating
- Chemical-resistant, under-water use

Dimensions [mm]

igubal® – Flange Bearing EFOM HT with 2 Mounting Holes

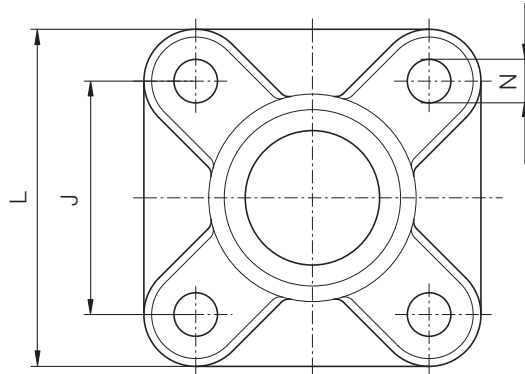
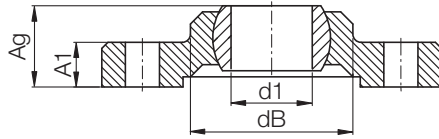
Part No	d1 E10	dB	H Size	L Width	J Hole Pitch ±0,1	A1 Height of Plate	A9 Height Total	N Bore Diameter d x l	Max. Pivot Angle
EFOM-06 HT	6	14,0	33,8	16,0	24,0	4,5	8,5	3,2 x 5,5	27°
EFOM-08 HT	8	18,0	44,2	22,0	31,0	5,5	10,5	4,3 x 6,5	24°
EFOM-10 HT	10	22,0	52,0	26,0	36,0	6,5	12,0	5,3 x 8,0	24°
EFOM-12 HT	12	25,0	56,7	31,0	41,0	7,0	13,0	5,3 x 8,0	21°

Available from stock

igubal® EFSM HT | Flange Bearing | mm



With 4 mounting holes



Data in mm

Structure – part no.

EFSM - 06 HT



- High temp.
- Dimension
- Metric
- 4 hole
- Flange
- Dimens. series



Material

Housing: iguton
 ► Page 70.6
 Spherical Bearing: iglidur® X
 ► Chapter 6

Flange Bearings

EFSM HT

mm

Phone +49 - 22 03 - 96 49-145
 Fax +49 - 22 03 - 96 49-334

Dimensions [mm]

igubal® – Flange Bearing EFSM HT with 4 Mounting Holes

Part Number	d1 E10	dB	L Width	J Hole Pitch ±0,1	A ₁ Height of Plate	A _g Height Total	N Bore Diameter
EFSM-06 HT	6	14,0	25,0	17,0	4,5	8,5	3,2
EFSM-08 HT	8	18,0	33,0	22,0	5,5	10,5	4,3
EFSM-10 HT	10	22,0	38,0	26,0	6,5	12,0	5,3
EFSM-12 HT	12	25,0	40,0	28,0	7,0	13,0	5,3

Available from stock

