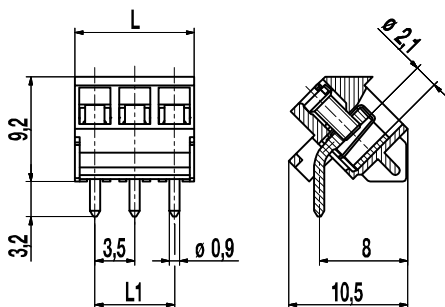


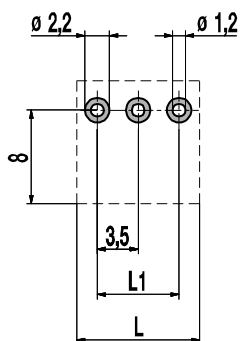
## PCB connector for THR

### 934-THR-DS

Screw connection 45°-angle to PCB



### PCB Layout



$L1 = (\text{No. of poles} - 1) \times \text{pitch}$   
 Solder paste thickness: 0,15 - 0,2 mm  
 Solder pad diameter:  $\varnothing$  2,2 mm

By creating the 934-THR-DS, WECO offers a Through-Hole PCB terminal for the reflow soldering process with a pitch of 3,5 mm.

The wire entry has a connection angle of 45° to the PCB. This offers the advantage that terminal rows can be located space saving one directly behind the other. Additionally, the connectors can be arranged side by side without a change of the pitch.

The housing material consists of high temperature resistant plastic. Spacers, so-called "Stand-offs" on the base assure an improved hot-air circulation during the reflow soldering process in the convection oven.

The screw connector 934-THR-DS is standardly equipped with captive screws and wire protectors. It is available in 2 to 12 pole versions.

This connector is packed tape on reel for the automatic assembling. It has a flat roof design on the housing at the middle poles in order to create a flat surface for the vacuum pipette.

### Part Numbers

No. of poles	934-THR-DS	Length	Pcs
2	20.879.302	7,00	250
4	20.879.304	14,00	250
6	20.879.306	21,00	200
12	20.879.312	42,00	100

further number of poles on request

### General Information

Pitch	3,5 mm
No. of poles	2 - 12
Areas of application	Devices with space critical applications or multi-row connections

### Technical Data

Clamping Range	<i>solid / flexible / AWG</i>		
	0,25 - 1,5 mm <sup>2</sup> / 0,25 - 1 mm <sup>2</sup> / 24 - 16 AWG		
Rated Cross Section	1 mm <sup>2</sup>		
Wire Stripping Length	5 mm $\pm$ 0,5 mm		
Overvoltage Category	III	III	II
Pollution Severity Level	3	2	2
Rated Voltage	160 V	160 V	320 V
Rated Impulse Voltage	2,5 kV	2,5 kV	2,5 kV
Rated Insulation Voltage	130 V acc. to EN 60998-1		
Rated Current	10 A		
Soldering process	Wave solder & reflow solder		
Hole in PCB	$\varnothing$ 1,2 mm		
Torque	0,2 Nm		
PCB thickness	Wave solder max. 1,6 mm; reflow solder 1,6 mm - 3,2 mm		

### Material

Moulding	PA HT, black, V-0
Comparative Tracking Index	CTI $\geq$ 600
Insulating Group	I
Temperature Range	-40°C up to 150°C; reflow solder temperature (Peak) max. 260°C (15-30 s)
Terminal Body	Tin plated brass
Screw	M2, zinc plated steel, blue passivated
Solder pin	$\varnothing$ 0,9 mm; tin plated brass
Wire protector	German silver

### Approvals

	Current	Voltage	Group	AWG	Nm
	10	300	B	26 - 16	0,23
	10	300	B	26 - 16	0,2

### Options / Accessories

- Consecutive numbering
- Special marking accord. drawing
- Self-adhesive marking strip BST-3,50 [1]
- Other plug pin lengths on request

### Part Numbers: Tape-on-Reel

No. of poles	934-THR-DS	Tape Width	Tape Height	Pcs
2	20.879.302.A00	32 mm	15,2 mm	300
5	20.879.305.A00	32 mm	15,2 mm	300

further number of poles on request

[1] To be fitted after reflow soldering process