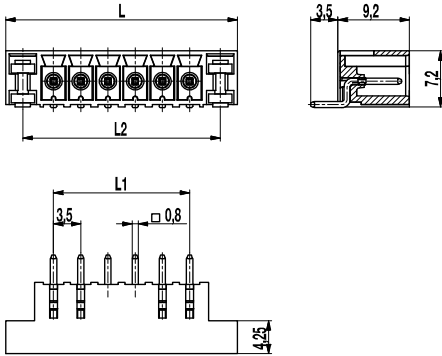
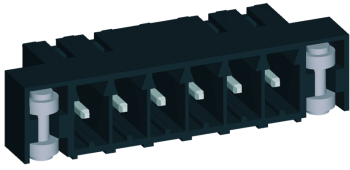


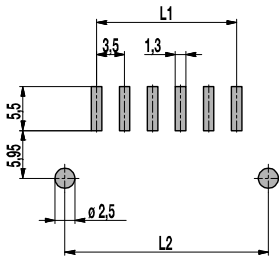
## Pin strip for SMD

### 110-M-216-SMD

Plug-in direction parallel to PCB, with solder flanges



#### PCB Layout



$L1 = (\text{No. of poles} - 1) \times \text{pitch}$   
Solder paste thickness: 0,2 mm

The 110-M-216-SMD is a pin strip for the reflow soldering process in a horizontal version with a pitch of 3.5 mm and available in 2 to 12 poles.

This product is characterized by the "Floating Anchors". They are movable in vertical direction and achieve 100% coplanarity. Side flanges improve the stability and increase the adhesion force on the PC board.

The pin strip is compatible with all standard connectors series 110 and 110-A-IDC (Insulation Displacement Contacts).

The housing of the pin strips meets the requirements of the elevated soldering temperatures in the lead-free soldering process.

#### Part Numbers

No. of poles	110-M-216-SMD	Length	Pcs
2	10.843.126	15,80	528
3	10.843.127	19,30	432
4	10.843.128	22,80	368
5	10.843.129	26,30	320
6	10.843.130	29,80	272
7	10.843.131	33,30	240
8	10.843.132	36,80	224
9	10.843.133	40,30	208
10	10.843.134	43,80	192
11	10.843.135	47,30	176
12	10.843.136	50,80	160

#### General Information

Pitch	3,5 mm
No. of poles	2 - 12
Usable with	all plug connectors of series 110

#### Technical Data

Overvoltage Category	III	III	II
Pollution Severity Level	3	2	2
Rated Voltage	160 V	160 V	320 V
Rated Impulse Voltage	2,5 kV	2,5 kV	2,5 kV
Rated Insulation Voltage	130 V acc. to EN 60998-1		
Rated Current	8 A		
Soldering process	Reflow solder		

#### Material

Moulding	PA HT, black, V-0
Comparative Tracking Index	CTI $\geq$ 600
Insulating Group	I
Temperature Range	40°C up to 150°C; reflow solder temperature (Peak) max. 260°C (15-30 s)
Solder pin	0,8 x 0,8 mm; tin plated brass
Solder cylinder	tin plated brass

#### Approvals

	Current	Voltage	Group	AWG	Nm
	8	300	B, D		
	pending				

#### Options / Accessories

- Consecutive numbering
- Special marking accord. drawing
- Self-adhesive marking strip BST-3,50 [1]
- Coding elements 120-K [1]

#### Part Numbers: Tape-on-Reel

No. of poles	110-M-216-SMD	Tape Width	Tape Height	Pcs
2	10.843.126.A00	56 mm	8 mm	475
3	10.843.127.A00	56 mm	8 mm	475
4	10.843.128.A00	56 mm	8 mm	475
5	10.843.129.A00	56 mm	8 mm	475
6	10.843.130.A00	56 mm	8 mm	475
7	10.843.131.A00	56 mm	8 mm	475
8	10.843.132.A00	56 mm	8 mm	475

further number of poles on request

[1] To be fitted after reflow soldering process