

Frequency displays / tachometers with limits

LED tachometers	Dual frequency displays with 4 outputs and analog output (AC+DC)	574
------------------------	---	------------



Frequency display for demanding applications, with two individually scalable encoder inputs, in each case A, /A, B, /B for count frequencies up to 1 MHz per channel (also for single channel use).

Operating modes can be selected for tachometer or frequency display with measurements for difference, total value, product or ratio (also with reciprocal display).

AC/DC 24/17 ... 30V	000000 DIN 96x48	IP65 High protection level	max. 1 MHz	Operation with gloves	TTL, HTL and RS422-input	6 LEDs	DC out 5 / 24 V	mA, V Analog output optional	4 Transistor output	RS232 Interface
-------------------------------	----------------------------	--------------------------------------	----------------------	------------------------------	---------------------------------	---------------	---------------------------	--	-------------------------------	---------------------------

Innovative

- 2 separate freely scalable frequency inputs: HTL or TTL (both also with inverted inputs), max. input frequency 1 MHz/channel.
- Very bright LED display, 15 mm high (6 digits).
- 4 freely programmable fast solid-state outputs, each with 350 mA output current.
- Many different output modes.
- Simple programming – with function codes, dependent on the operating mode selected.
- With 9 fixed different frequency functions, e.g.:
 - Single, difference and total value measurement of both inputs.
 - Product and ratio measurement.
 - Percentage measurement.
 - In-process time calculated from frequency (reciprocal speed).

Compact and multifunctional

- Up to 3 display values in a single device: display counter 1, display counter 2 as well as the display calculated from counter 1 and 2.
- AC and DC supply voltage in one device.
- Simple programming with 4 keys, all keys can be assigned dual programming functions.
- Can be used as a frequency display or tachometer with limit values.
- Monitoring function, where 2 values are monitored or calculated with respect to each other.
- 4 fast programmable inputs with various functions such as start delay, key lockout, display memory, reference input or switching between the display values.
- Scalable analog output 0/4 ... 20 mA, +/-10 V or 0 ... 10 V.
- Standard interface RS232 for parameter setting, for reading out the values to a PC or PLC, for modifications during operation.

Order specifications

4 fast switch outputs, serial interface (RS232)

6 digits

6 digits, scalable analog output

Order no.

6.574.0116.D05

6.574.0116.D95

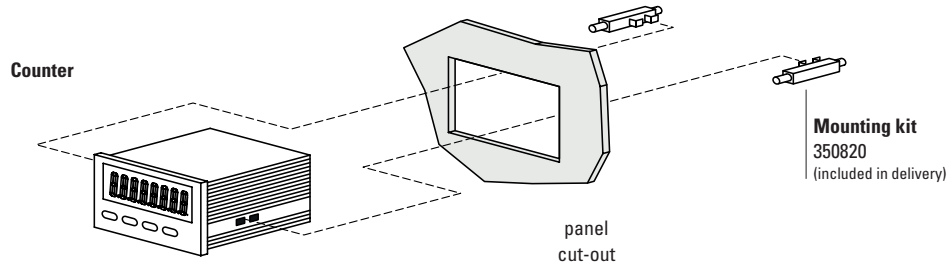
Delivery specification

- Controller 574
- Gasket
- Fastening set
- Instruction manual German/English

Frequency displays / tachometers with limits

LED tachometers Dual frequency displays with 4 outputs and analog output (AC+DC) 574

Accessories / Mounting examples



	Type / size	Description	Order no.
Mounting kit		1 kit consists of 2 latch hooks	350820
Mounting frame	 cut-out 92 x 45 mm [3.62 x 1.77"]	for snap-on mounting on 35 mm [1.38"] top-hat DIN rail	G300005
Software for parameter setting OSxx		https://www.kuebler.com/de/docu-finder search box: OS1	

incl. in delivery

Technical data

General technical data		
Display	6-digit	LED display, 15 mm [0.59"] high
Operating temperature		0 °C ... +45 °C [+32 °F ... +113 °F] (non-condensing)
Storage temperature		-25 °C ... +70 °C [-13 °F ... +158 °F]

Electrical characteristics		
Supply voltage		24 V AC, + 10 % 24 (17 ... 30) V DC
Current consumption DC		100 mA + current consumption encoder
Connected load AC		15 VA
Auxiliary power supply (for sensors)		2 x 5.2 V DC, each 150 mA 2 x 24 V DC, each 120 mA
Device safety	designed to protection class application area	EN 61010 part 1 2 pollution level 2

Mechanical characteristics		
Housing material		Noryl UL94-V-0
Screw terminal	cable cross-section	max. 1.5 mm ² [AWG 15]
Protection		IP65 from front
Weight		approx. 250 g [8.82 oz]

Inputs		
2 universal incremental encoder inputs		
Count frequency (per encoder)		
RS422 and TTL with inv.		1 MHz
HTL asymmetric		200 kHz
TTL asymmetric		200 kHz

Entrées de commande		
4 control inputs HTL	Ri	3.3 kOhm
	Low	< 2.5 V
	High	> 10 V
	min. pulse duration	50 µs

Outputs		
Switch outputs		
4 fast power transistors		5 ... 30 V DC, 350 mA
reaction time		< 1 ms ¹⁾
inductive loads require a freewheeling diode		
Serial interface		RS232, 2400 ... 38400 baud
Analog outputs (6.574.0116.D95)		
0 / 4 ... 20 mA	load max.	270 Ohm
0 ... +10 V		max. 2 mA
Resolution		14 bit
precision		0.1 %
reaction time		< 1 ms

Approvals		
CE compliant in accordance with		
EMC Directive		2014/30/EU
RoHS Directive		2011/65/EU
Low Voltage Directive		2014/35/EU
UKCA compliant in accordance with		
EMC Regulations		S.I. 2016/1091
RoHS Regulations		S.I. 2012/3032
Low Voltage Regulations		S.I. 2016/1101

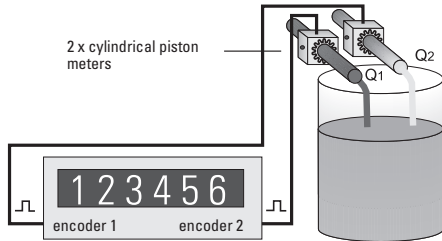
1) Intensive serial communication can temporarily increase the reaction time.

Frequency displays / tachometers with limits

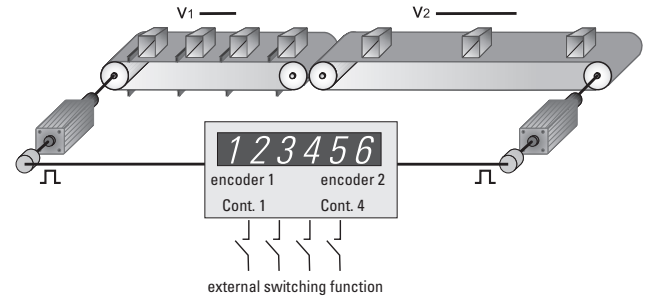
LED tachometers Dual frequency displays with 4 outputs and analog output (AC+DC) 574

Application examples

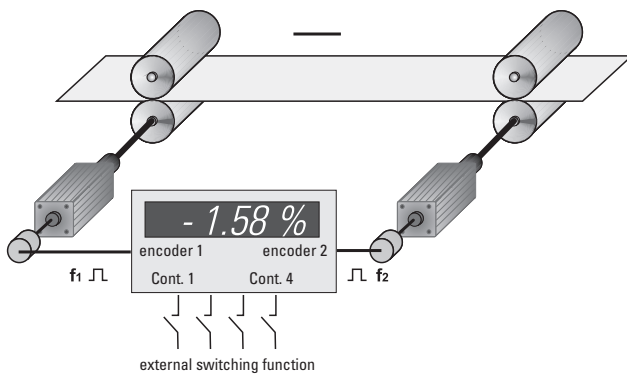
Total flow rate



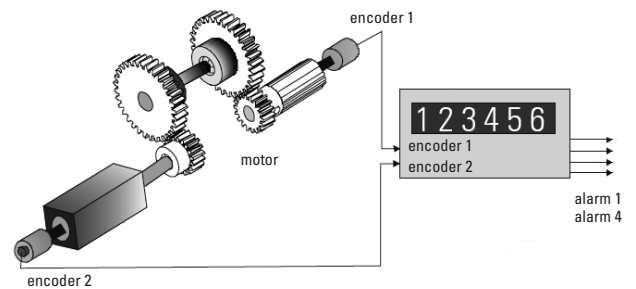
Speed difference



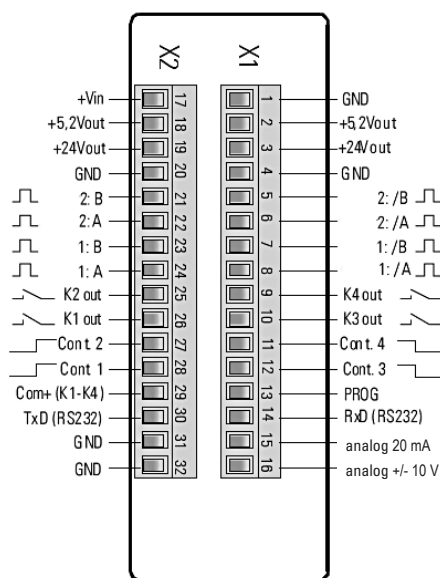
Material stretching to create tensile stress



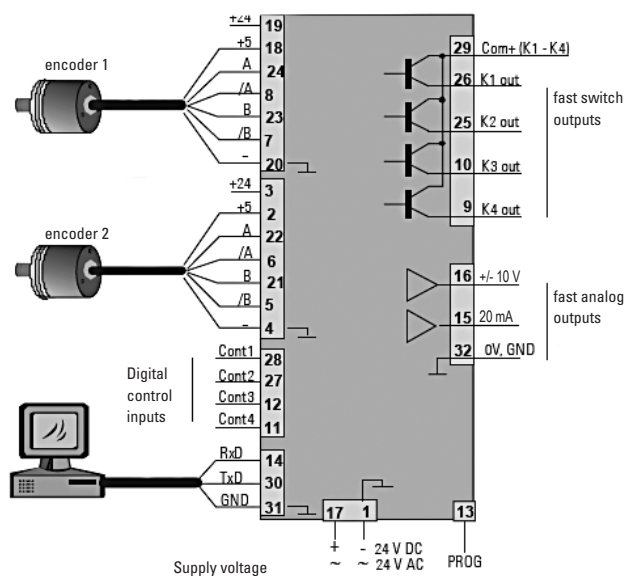
Monitoring of torsion, shafts or gear breakage



Terminal assignment



Connection examples



Frequency displays / tachometers with limits

LED tachometers **Dual frequency displays with 4 outputs and analog output (AC+DC)** **574**

Dimensions

Dimensions in mm [inch]

