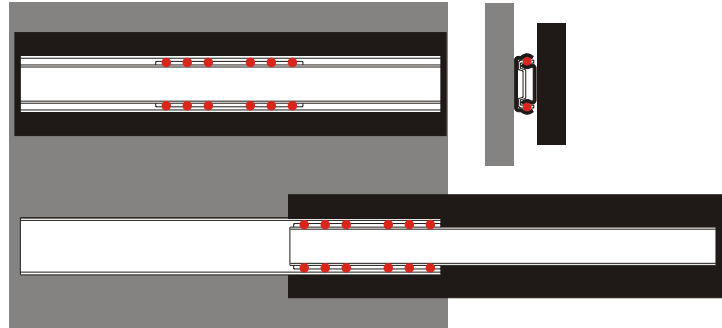
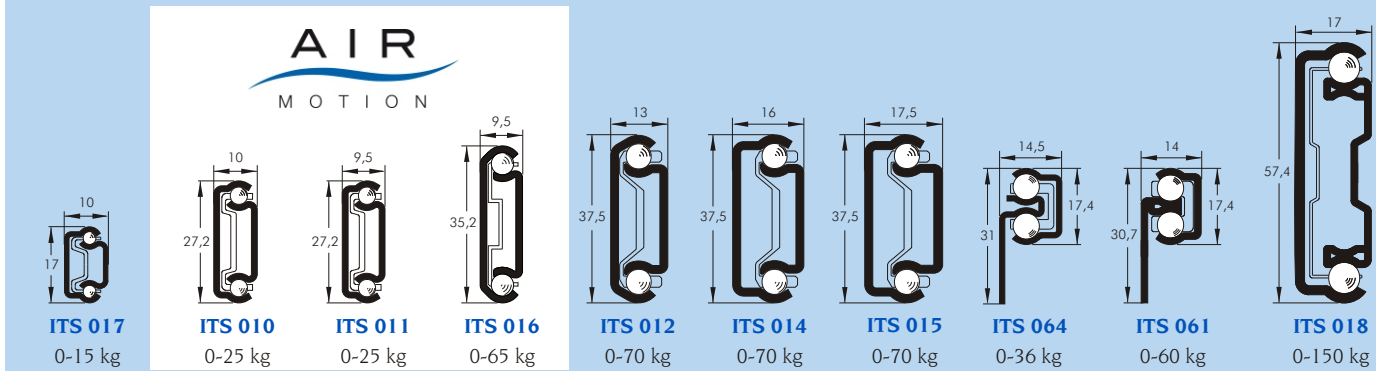


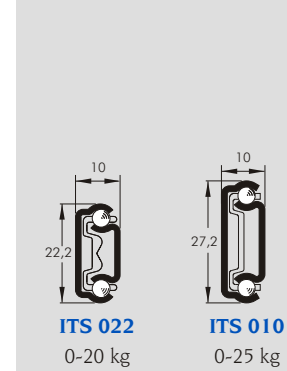
Partial extension slide
Travel approx. 70-80% of slide length



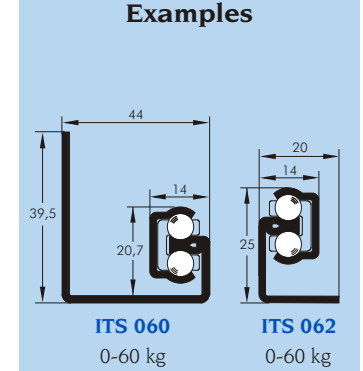
Basic profiles - Partial extension slides



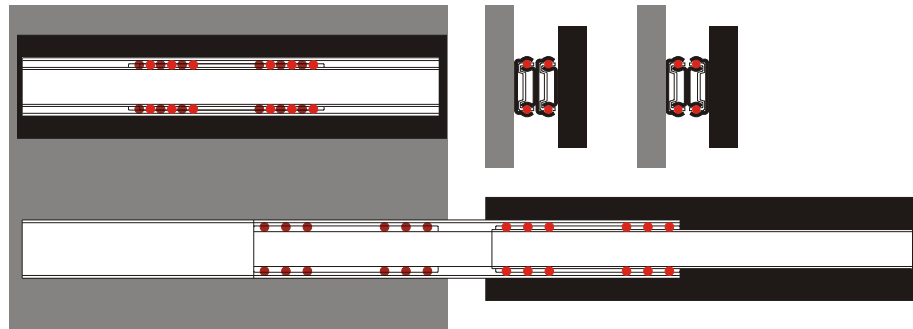
Stainless steel



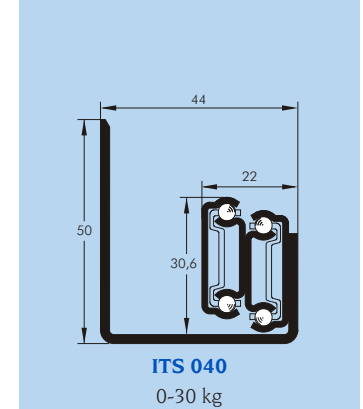
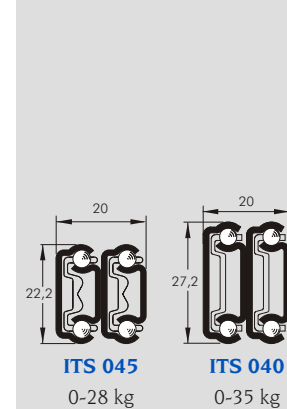
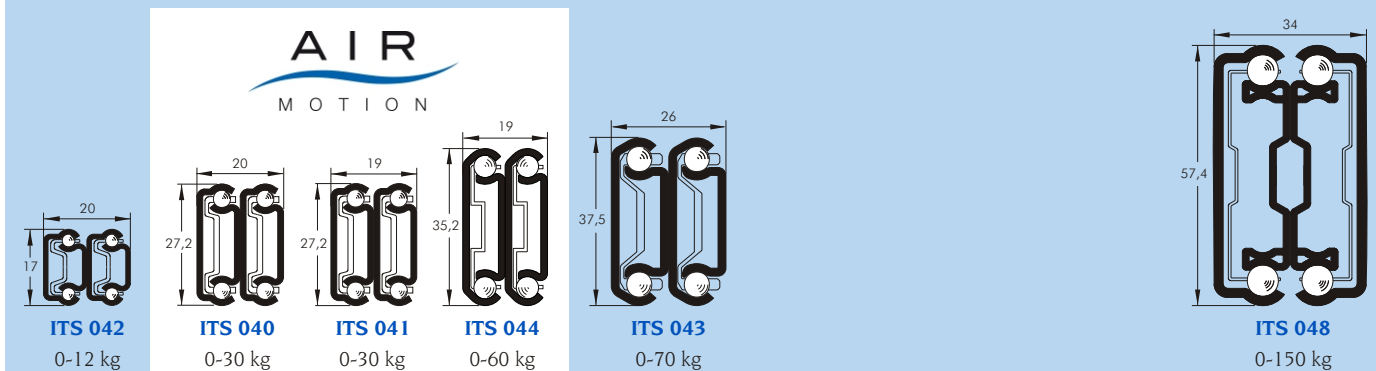
Special designs Examples



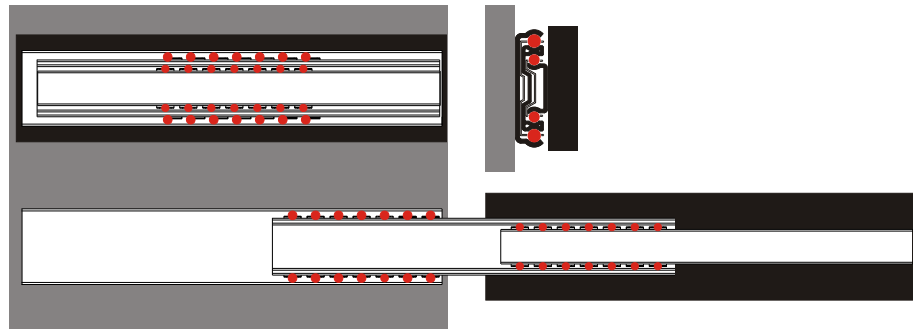
Full extension slide "Classic"
Travel approx. 80% up to $\geq 100\%$



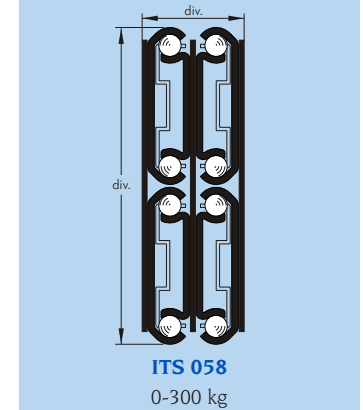
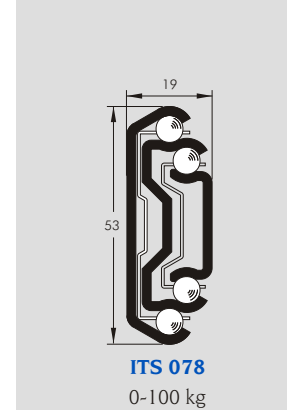
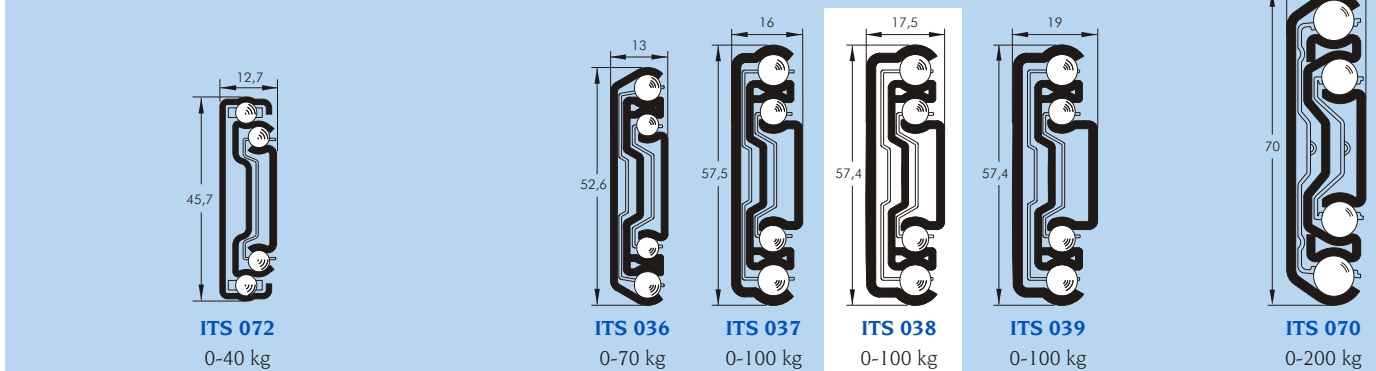
Basic profiles - Full extension slides "Classic"



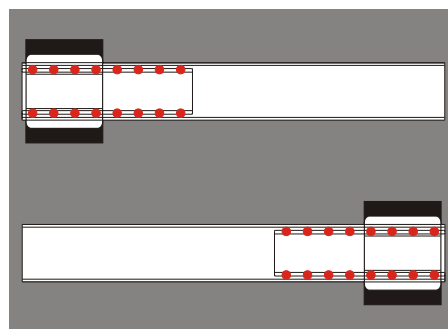
Full extension slide "Compact"
Travel approx. 80% up to $\geq 100\%$



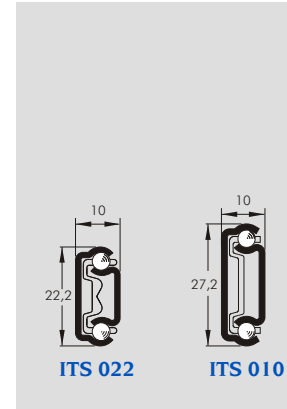
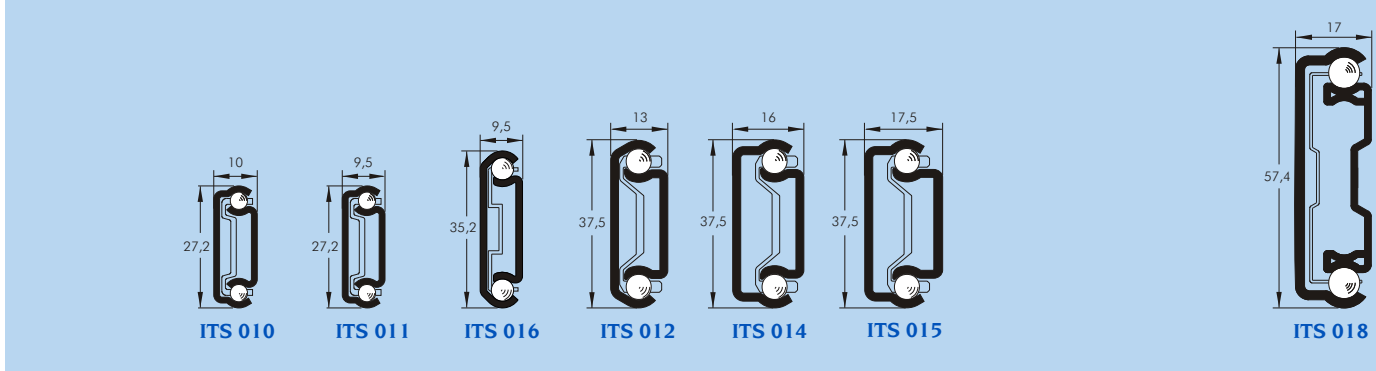
Basic profiles - Full extension slides "Compact"



Linear slide
Travel within the slide length



Basic profiles - Linear slides



Comments:

The indicated load rates are guide values for a pair of ball bearing slides mounted vertically.

The profile dimensions are indicated in mm.