

# SANDING

Pneumatic Belt Sander

## BELTON

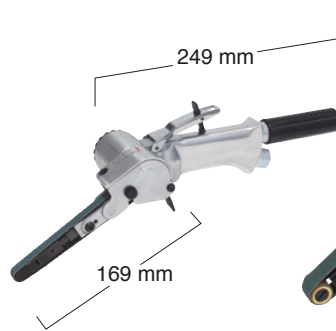
*Ideal for sanding and grinding in narrow spaces, recessed areas and on curved surfaces*

- Quick belt change
- Rear exhaust system

**BELTON-10**

Model **B-10CL**

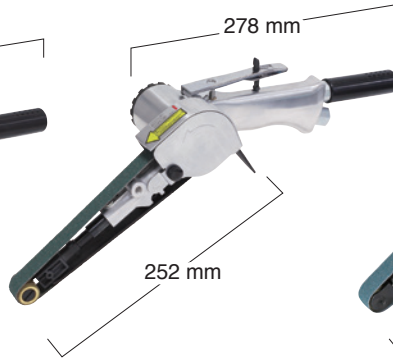
- Belt size 10 mm (W)



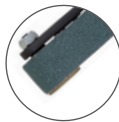
**BELTON-20**

Model **B-20CL**

- Belt size 20 mm (W)



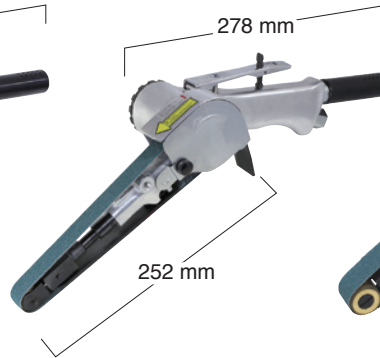
The Idle Pulley for B-20CL is supported on one side only.



**BELTON-20**

Model **B-20CL-A**

- Belt size 20 mm (W)



The Idle Pulley for B-20CL-A is supported on both sides.



**BELTON-30**

Model **B-30CL**

- Belt size 30 mm (W)



### Specifications

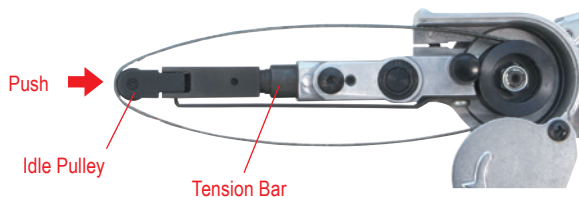
Model	B-10CL	B-20CL	B-20CL-A	B-30CL	
Air Pressure	MPa (kgf/cm <sup>2</sup> )		0.6 (6)		
Air Consumption (No-load)	m <sup>3</sup> /min	0.4	0.48	0.82	
Free Speed	min <sup>-1</sup> (rpm)	17000	18000	15000	
Belt Speed	m/min	1120	2770	2310	
Belt Size	mm	10 x 330	20 x 520	30 x 540	
Inlet Size			Rc 1/4		
Mass (Weight)	kg	0.9	1.6	1.5	2.4
Accessories Included	<ul style="list-style-type: none"> <li>• 2 pieces of Abrasive Belt Z#60 x 10 mm (1 piece installed)</li> <li>• Abrasive Belt Z#80 x 10 mm</li> <li>• Abrasive Belt Z#100 x 10 mm</li> <li>• Abrasive Belt Z#120 x 10 mm</li> <li>• 1.5 mm Hex. Socket Screw Key</li> <li>• 4 mm Hex. Socket Screw Key</li> <li>• Bushing R 1/4 x NPT 1/4</li> </ul>	<ul style="list-style-type: none"> <li>• 2 pieces of Abrasive Belt Z#60 x 20 mm (1 piece installed)</li> <li>• Abrasive Belt Z#80 x 20 mm</li> <li>• Abrasive Belt Z#100 x 20 mm</li> <li>• Abrasive Belt Z#120 x 20 mm</li> <li>• 2.5 mm Hex. Socket Screw Key</li> <li>• 4 mm Hex. Socket Screw Key</li> <li>• Bushing R 1/4 x NPT 1/4</li> <li>• Convex Shoe</li> </ul>	<ul style="list-style-type: none"> <li>• 2 pieces of Abrasive Belt Z#60 x 30 mm (1 piece installed)</li> <li>• Abrasive Belt Z#80 x 30 mm</li> <li>• Abrasive Belt Z#100 x 30 mm</li> <li>• 5 mm Hex. Socket Screw Key</li> <li>• Handle Assy</li> <li>• Bushing R 1/4 x NPT 1/4</li> </ul>		

### Easy belt change

Abrasive belt can be changed easily. \*Rotate and open the cover when changing.

**Self-locking**

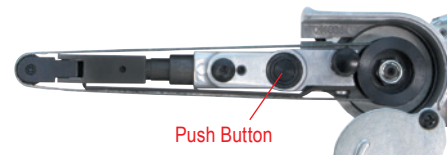
Push the idle pulley into self-lock position to loosen the belt.



For all models

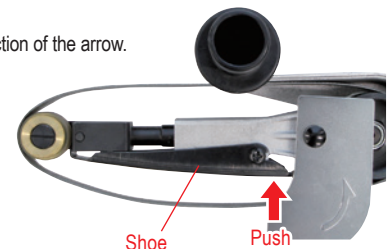
**Unlock**

Press the push button to pull back the tension bar.



10/20 Type

Press the shoe in the direction of the arrow.

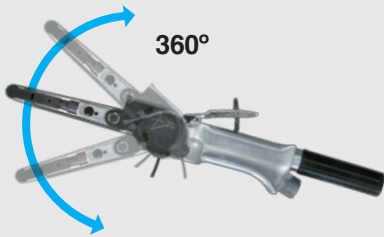


30 Type

# SANDING

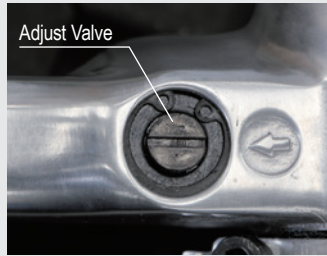
## Adjustable angle for efficient operation

Guard angle can be changed freely in accordance with the working position and shape of the workpiece.



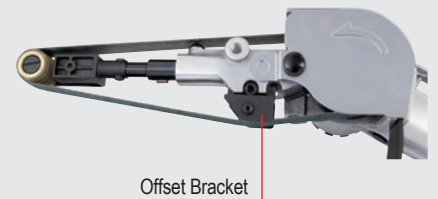
## Belt Speed Adjustment

Belt speed can be easily adjusted by turning the adjust valve with a screwdriver.



## Curved surface grinding

Curved surface grinding is possible by using the Offset Bracket (Optional).



## Abrasive Belt for BELTON-10

Belt Size : 6 mm x 330 mm (W x L)

Grit	PN	
	Zirconia (Z)	Alumina (AA)
#40	-	-
#60	TB00241	-
#80	TB00242	-
#100	TB00243	-
#120	TB00244	-
#180	TB00245	-
#240	TB00246	-
#400	-	TA9A237
Sales Unit	50 pcs./set When using the belt, optional Bracket 6 Ass'y and Shoe 6 are required. (Ref. No.5, 6)	

## Abrasive Belt for BELTON-10

Belt Size : 10 mm x 330 mm (W x L)

Grit	PN		
	Zirconia (Z)	Alumina (AA)	Ceramic (CE)
#40	-	-	TB08368
#60	TA9A064	-	TB08369
#80	TB00076	-	TB08370
#100	TB00077	-	TB08371
#120	TB00247	-	TB08372
#180	TB00248	-	-
#240	TB00249	-	-
#400	-	TA9A244	-
Sales Unit	50 pcs./set	50 pcs./set	

## Abrasive Belt for BELTON-20

Belt Size : 20 mm x 520 mm (W x L)

Grit	PN		
	Zirconia (Z)	Alumina (AA)	Ceramic (CE)
#40	TA99605	-	TB08373
#60	TA99606	-	TB08374
#80	TA99607	-	TB08375
#100	TA99608	-	TB08376
#120	TA99609	-	TB08377
#180	TB00250	-	-
#240	TB00251	-	-
#320	-	TA9A253	-
#400	-	TA9A254	-
Sales Unit	20 pcs./set	20 pcs./set	20 pcs./set

## Abrasive Belt for BELTON-30

Belt Size : 30 mm x 540 mm (W x L)

Grit	PN		
	Zirconia (Z)	Alumina (AA)	Ceramic (CE)
#40	TB00252	-	TB08378
#60	TB00253	-	TB08379
#80	TB00254	-	TB08380
#100	TB00255	-	TB08381
#120	TB00256	-	TB08382
#180	TB00257	-	-
#240	TB00258	-	-
#320	-	TA9A263	-
#400	-	TA9A264	-
Sales Unit	20 pcs./set	20 pcs./set	

## Optional Parts

Ref. No.	PN	Description	Sales Unit	Applicable Model		
				B-10CL	B-20CL B-20CL-A	B-30CL
1	TB09997	Offset Bracket 10 Ass'y	1 set	●		
2	TB10192	Offset Bracket 20 Ass'y	1 set		●	
3	TB08150	Offset Bracket 30 Ass'y	1 set			●
4	TB09938	Finger Pad Ass'y	1 set		●	
5	TB09996	Bracket 6 Ass'y	1 set	●		
6	TP14770	Shoe 6	1 piece	●		
7	TB10191	Convex Shoe	1 piece		●	



\* for Abrasive belt width 6 mm



# SANDING

Pneumatic Belt Sander

## BABY BELTON

*Ideal for deburring, chamfering, bead grinding, and polishing applications*

- Compact and lightweight, yet powerful
- Alternative rotation direction
- Ergonomically designed for left or right hand operator convenience

BABY BELTON-10

Model **BB-10B** 

- Lever switch type
- Belt size 10 mm (W)



BABY BELTON-10

Model **BB-10B** Non-CE

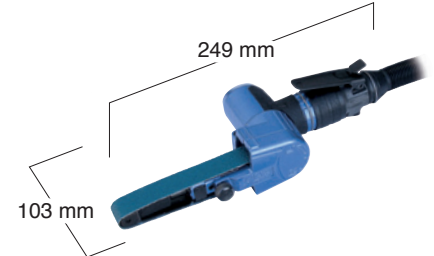
- Ring switch type
- Belt size 10 mm (W)



BABY BELTON-20

Model **BB-20** 

- Belt size 20 mm (W)



### Specifications

Model	BB-10B Lever Type	BB-10B Ring Type	BB-20
Air Pressure	MPa (kgf/cm <sup>2</sup> )	0.6 (6)	
Air Consumption (No-load)	m <sup>3</sup> /min	0.2	0.43
Free Speed	min <sup>-1</sup> (rpm)	17000	16000
Belt Speed	m/min	1120	1100
Belt Size	mm	10 x 330	20 x 330
Inlet Size		Rc 1/4	
Mass (Weight)	kg	0.55	0.8
Accessories Included	<ul style="list-style-type: none"> <li>• Abrasive Belt Z#100 x 10 mm (Installed)</li> <li>• Abrasive Belt Z#120 x 10 mm</li> <li>• Abrasive Belt Z#180 x 10 mm</li> <li>• Abrasive Belt Z#240 x 10 mm</li> <li>• 1.5 mm Hex. Socket Screw Key</li> <li>• Bushing R 1/4 x NPT 1/4</li> <li>• Offset Bracket Ass'y</li> </ul>	<ul style="list-style-type: none"> <li>• Abrasive Belt Z#100 x 10 mm (Installed)</li> <li>• Abrasive Belt Z#120 x 10 mm</li> <li>• Abrasive Belt Z#180 x 10 mm</li> <li>• Abrasive Belt Z#240 x 10 mm</li> <li>• 1.5 mm Hex. Socket Screw Key</li> <li>• Bushing R 1/4 x NPT 1/4</li> <li>• Offset Bracket Ass'y</li> </ul>	<ul style="list-style-type: none"> <li>• Abrasive Belt Z#60 x 20 mm (Installed)</li> <li>• Abrasive Belt Z#120 x 20 mm</li> <li>• Abrasive Belt Z#240 x 20 mm</li> <li>• 2.5 mm Hex. Socket Screw Key</li> <li>• 3 mm Hex. Socket Screw Key</li> <li>• Shoe</li> <li>• Dust Cover</li> <li>• Bushing R 1/4 x NPT 1/4</li> </ul>

### Quick and easy belt installation and removal "NO Tools Required"

1 Remove side cover.



Push idle pulley bracket into self-locking position.



2



Replace grinding belt.

3



Press the push button to tighten the belt.

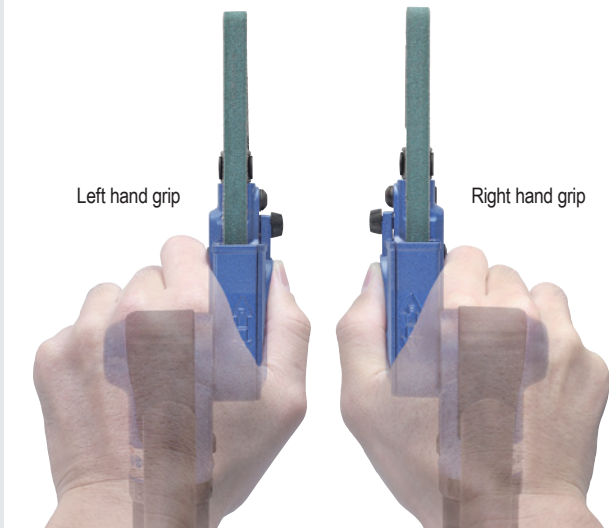
Push Button

### The throttle lever can be turned by 180 degrees.

Ergonomically designed for right or left hand operator convenience

Left hand grip

Right hand grip



### Sanding for curved surfaces

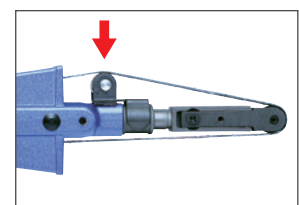
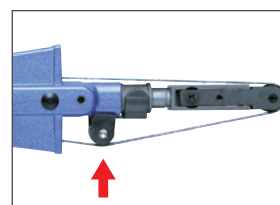
Curved surface sanding is possible by using the offset bracket.



Offset Bracket

### The offset bracket can be positioned up or down.

Push-in offset bracket pulley allows the following use.

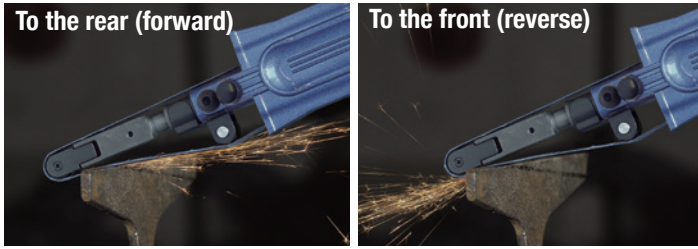


# SANDING

## Easy switching of belt rotation direction (BB-10B)

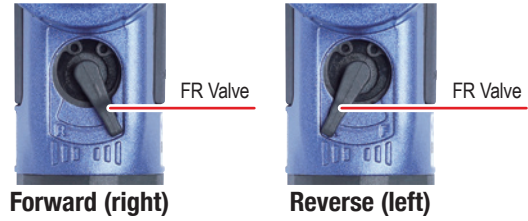
By adjusting the lever of the FR valve, the rotation direction of the abrasive belt can be changed. The direction of the chip splash can be changed by switching the rotation direction. The rotation speed can also be adjusted by the angle of the lever.

### Controlling the chip splash direction



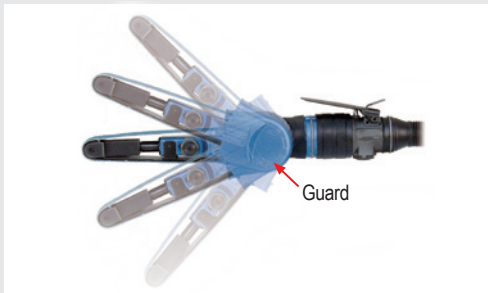
### Adjusting FR Valve

The rotation speed can also be adjusted by the angle of the lever.



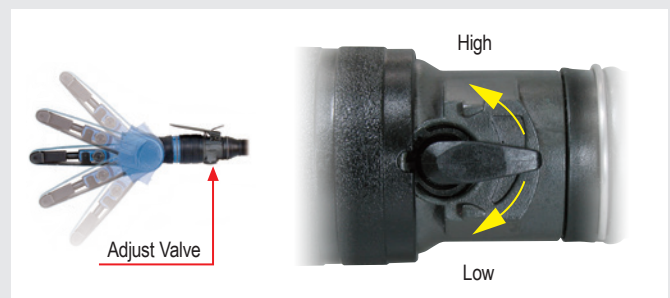
## Guard position is adjustable (BB-20)

Guard angle can be changed freely in accordance with the working position and shape of the workpieces.



## Belt Speed Adjustment (BB-20)

Belt speed can be easily adjusted by turning the adjust valve without a tool.



## Ideal for deburring, chamfering, bead grinding, and polishing applications

Deburring of die cast parts.



Detail finishing of aluminum material.



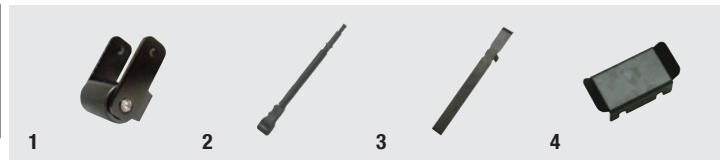
Chamfering of straight parts.



### Optional Parts

Ref. No.	PN	Description	Sales Unit	Model
1	TB07109	Offset Bracket 20 Ass'y	1 set	BB-20
2	TB07224	Tension Bar 520 Ass'y*	1 set	
3	TQ10701	Shoe 520*	1 piece	
4	TB07227	Finger Pad Ass'y 520	1 set	

\*TB07224 and TQ10701 are used together.



### Abrasive Belt for BABY BELTON-10

Belt Size : 10 mm x 330 mm (W x L)			
Grit	PN		
	Zirconia (Z)	Alumina (AA)	Ceramic (CE)
#40	-	-	TB08368
#60	TA9A064	-	TB08369
#80	TB00076	-	TB08370
#100	TB00077	-	TB08371
#120	TB00247	-	TB08372
#180	TB00248	-	-
#240	TB00249	-	-
#400	-	TA9A244	-
Sales Unit	50 pcs./set		50 pcs./set

### Abrasive Belt for BABY BELTON-20

Belt Size : 20 mm x 330 mm (W x L)				
Grit	PN			
	Zirconia (Z)	Alumina (AA)	Ceramic (CE)	Non-woven
#40	-	-	-	-
#60	TB07114	-	TB07125	-
#80	TB07115	-	TB07126	-
#100	TB07116	-	TB07127	-
#120	TB07117	-	TB07128	-
#180	TB07118	-	-	TB07122 A-M Equivalent to #180
#240	TB07119	-	-	-
#320	-	-	-	TB07121 A-VF Equivalent to #320
#400	-	TB07120	-	TB07123 S-SF Equivalent to #400
Sales Unit	20 pcs./set		20 pcs./set	5 pcs./set