

EZR 20/2 B



short description

Axial duct fan, DN 200, single-phase AC

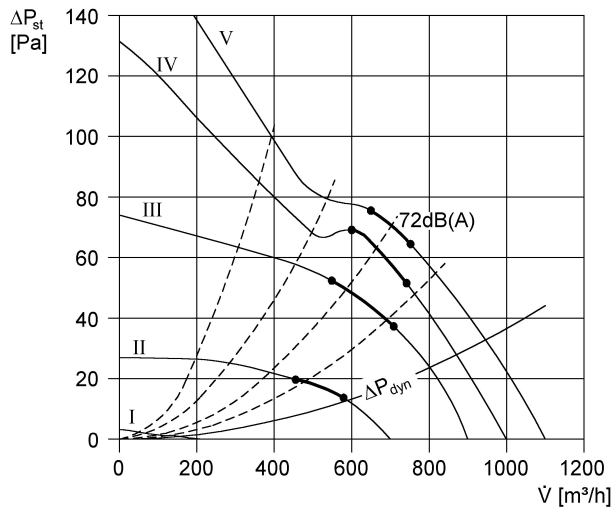
Article number 0086.0000

Technical Data

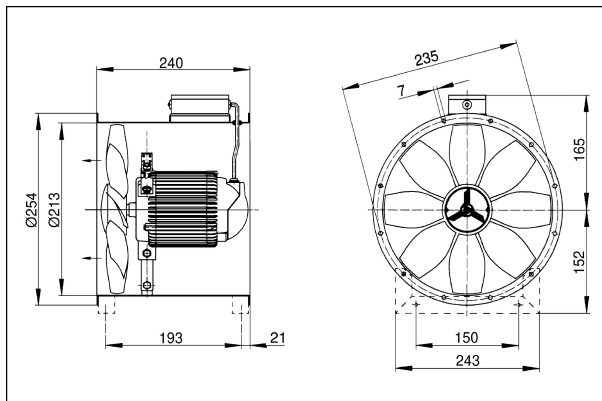
Air flow volume	1,100 m ³ /h
Rotating speed	2,850 1/min
Speed controllable	✓
Reversing capacity	✓
Type of voltage	Alternating current
Rated voltage	230 V
Frequency	50 Hz
Nominal output	65 W
I _{nom}	0.3 A
I _{max}	0.51 A
Degree of protection (IP)	55
Insulation class	B
Installation site	Duct
Installation position	horizontal, vertical
Material	Sheet steel, galvanised
Weight	6.6 kg
Nominal size	200 mm
Airstream temperature at nominal current	60 °C
Airstream temperature at I _{Max}	60 °C
Range	C
EAN	4012799860006
Total L _{WA2} : S5 (housing sound power level)	62 dB(A)
Total L _{WA5} : S5 (free inlet sound power level)	76 dB(A)
Total L _{WA6} : S5 (free outlet sound power level)	77 dB(A)

EZR 20/2 B

Characteristic curve



Dimensions [mm]



Number of flange holes: 6