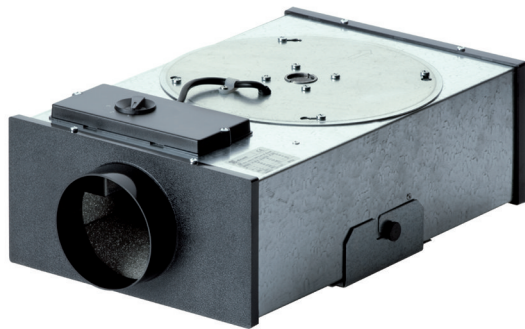


# EFR 10 R



## short description

Centrifugal flat box with 5 speeds, DN 100

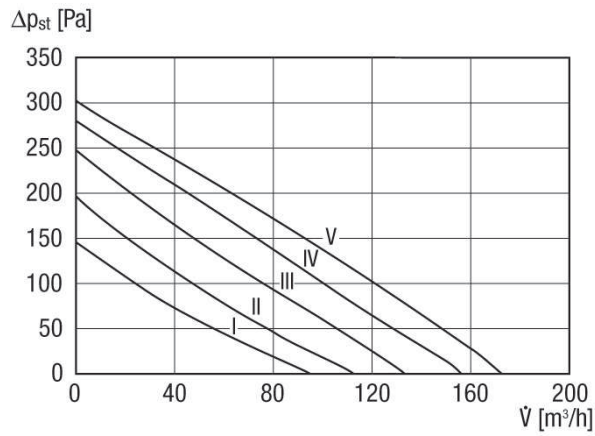
Article number 0080.0571

## Technical Data

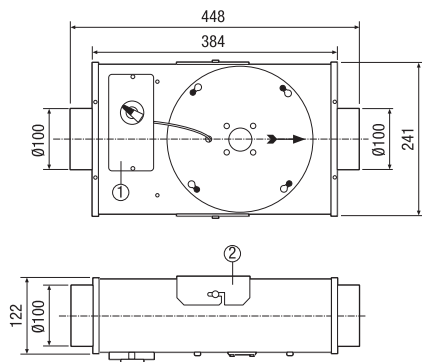
Air flow volume	172 m <sup>3</sup> /h
Rotating speed	1,960 1/min
Rated voltage	230 V
Frequency	50 Hz
P <sub>Max</sub>	60 W
I <sub>max</sub>	0.27 A
Degree of protection (IP)	20
Mains cable	3 × 1.5 mm <sup>2</sup>
Installation site	Duct, Ceiling
Weight	5 kg
Swivelling fan	✓
Nominal size	100 mm
Airstream temperature at I <sub>Max</sub>	50 °C
Ambient temperature:	50 °C
Sound pressure level	34 dB(A)/Distance 3 m, Free-field conditions
Range	C
EAN	4012799805717
Total L <sub>WA2</sub> , high (housing sound power level )	53 dB(A)

# EFR 10 R

## Characteristic curve



## Dimensions [mm]



- ① Electrical connection
- ② Mounting support