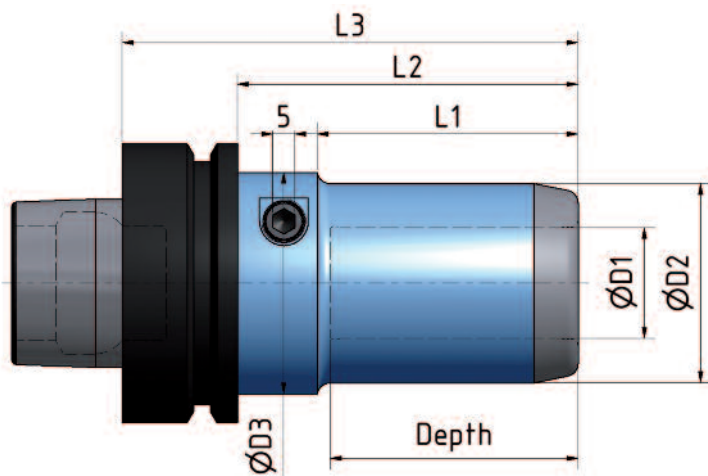




**Tough  
and compact  
design**

## ETP HYDRO-GRIP® G2

HYDRO-GRIP type G2 is extremely user friendly which means quick and easy tool changes. It has a tough and compact design and it is the most slender chuck in our range. A safety feature prevents the tool from falling out when the chuck is not pressurized. The tool shank must be equipped with a thread corresponding to the safety screw size.



**Shaft:**  
HSK 63F  
SK30

### Benefits and features

- Quick and easy tool change
- High performance
- Slender design
- Excellent runout

### Technical specification ETP HYDRO-GRIP® G2

Type	D1	D2	D3	L1	L2	L3	Depth*	N	Max rpm
G2-12	12	32	40	43	61	87	40	5	25000
G2-16	16	38	40	43	61	87	40	5	25000
G2-20	20	40	50	55	73	99	52	5	25000
G2-25	25	45	50	59	77	103	56	5	25000
G2-3/8"	3/8"	32	40	43	61	87	40	5	25000
G2-1/2"	1/2"	32	40	43	61	87	40	5	25000
G2-3/4"	3/4"	40	50	55	73	99	52	5	25000
G2-1"	1"	45	50	59	77	103	56	5	25000

### TOLERANCES

The type G2 chuck is designed and manufactured for a router bit shank with the tolerance g6 (h7). Transmittable torque for tools with tolerances:

Type	h6	h7	g6	Safety screw
D	Nm	Nm	Nm	ISO 4762
12	60	30	30	M6x40
16	100	75	75	M6x40
20	260	175	175	M8x45
25	480	350	350	M8x45
3/8"	30	15	15	M6x40
1/2"	60	30	30	M6x40
3/4"	260	175	175	M8x45
1"	480	350	350	M8x45

\*)= clamping length

The type G2 chuck is balanced to G2,5 at 25000 rpm.

The runout is measured at 3xD and the max runout is 0,006 mm.

A normally balanced chuck and tool can be used up to a max. speed of 25000 rpm.