

>> BB 42 76 mm dGo DC | 612 042

Blower ByPass Brushless

- » High Speed BLDC Blower
- » Sensorless Commutation
- » Onboard Speed Control

- » Tach Output
- » Low Sound Output
- » Compact and light weight



Data			
Nominal voltage	VDC	12	24
Fan housing diameter	mm	73	73
Fan stages	n°	1	1
Max. airflow	m³/h	44	44
Max. pressure	kPa	7.5	7.5
Max. Input power	W	105	105
Input current	A	9	4.5
Max. speed	rpm	35000	35000
Weight	Kg	0.5	0.5
Sound pressure level*	dBA	<73	<73

* At free flow conditions according to IEC 60704-1

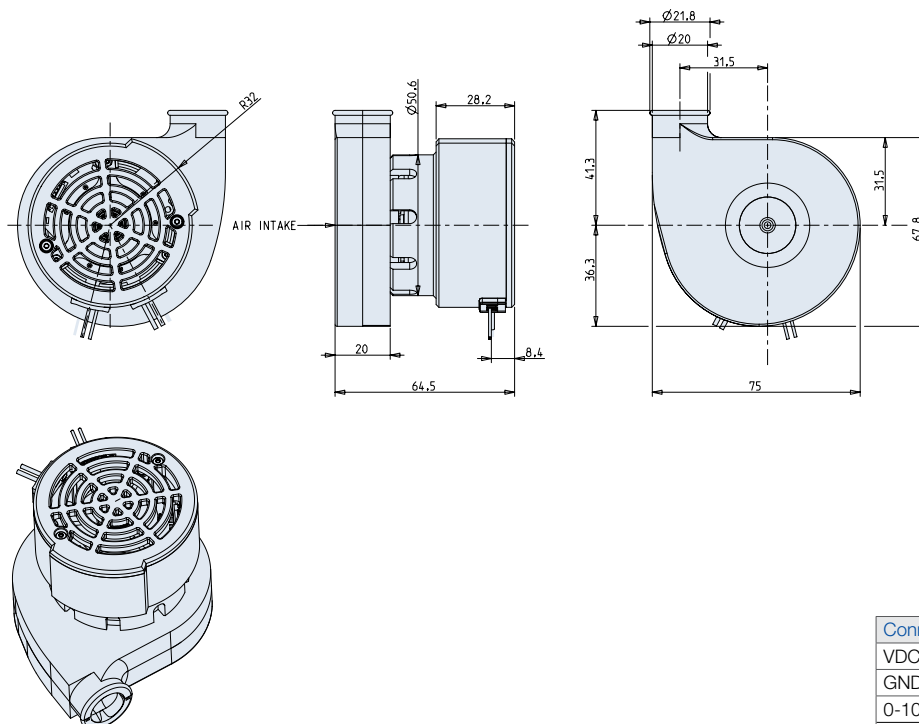
Standard Features:

- » Analogue speed command input 0-10 VDC
- » Tach-output 2 ppr

Options on request:

- » 4-pin connector
- » Mounting feet

Dimensions in mm/ standard models

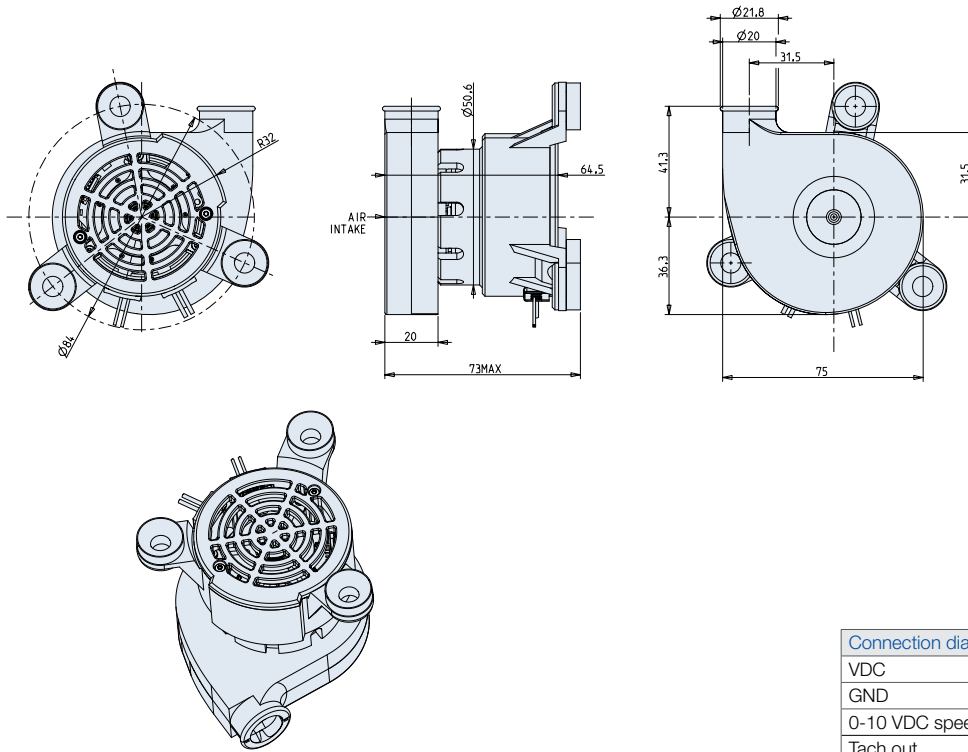


Connection diagram	
VDC	Red ●
GND	Black ●
0-10 VDC speed control	Green ●
Tach out	Blue ●

>> BB 42 76 mm dGo DC | 612 042

Blower ByPass Brushless

Dimensions in mm/ models with optional mounting feet



Connection diagram	
VDC	Red ●
GND	Black ●
0-10 VDC speed control	Green ●
Tach out	Blue ●

Characteristic diagram

