

## Knurled screws low head steel and stainless steel, DIN 653

### Item description/product images



### Description

#### Material:

Steel or stainless steel (A 1).

#### Version:

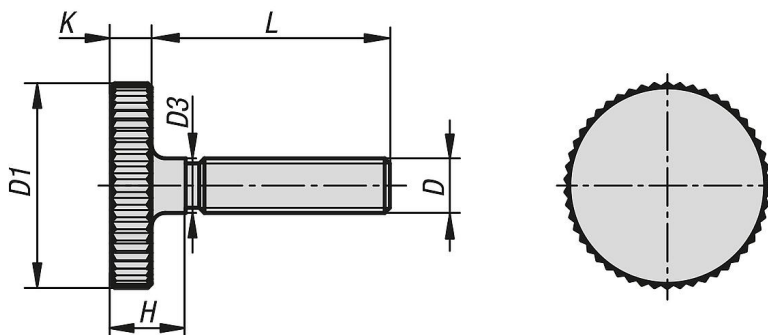
Steel grade 5.8, bright;

Stainless steel, bright.

#### Note:

Delivery is according to DIN 653 or DIN 653-A.

### Drawings



### Overview of items

#### Knurled screws low head, steel and stainless steel, DIN 653

Order No.	Main material	D	D1	D3	H	K	L
B0275.03X10	steel	M3	12	3	4,5	2,5	10
B0275.03X12	steel	M3	12	3	4,5	2,5	12
B0275.03X16	steel	M3	12	3	4,5	2,5	16
B0275.04X8	steel	M4	16	4	6,5	3,5	8
B0275.04X10	steel	M4	16	4	6,5	3,5	10
B0275.04X12	steel	M4	16	4	6,5	3,5	12
B0275.04X16	steel	M4	16	4	6,5	3,5	16
B0275.04X20	steel	M4	16	4	6,5	3,5	20
B0275.05X10	steel	M5	20	5	7	4	10
B0275.05X12	steel	M5	20	5	7	4	12
B0275.05X16	steel	M5	20	5	7	4	16
B0275.05X20	steel	M5	20	5	7	4	20
B0275.05X25	steel	M5	20	5	7	4	25
B0275.05X30	steel	M5	20	5	7	4	30
B0275.06X12	steel	M6	24	6	9	5	12
B0275.06X16	steel	M6	24	6	9	5	16
B0275.06X20	steel	M6	24	6	9	5	20
B0275.06X25	steel	M6	24	6	9	5	25
B0275.06X30	steel	M6	24	6	9	5	30
B0275.06X35	steel	M6	24	6	9	5	35
B0275.06X40	steel	M6	24	6	9	5	40
B0275.08X16	steel	M8	30	8	11	6	16
B0275.08X20	steel	M8	30	8	11	6	20
B0275.08X25	steel	M8	30	8	11	6	25
B0275.08X30	steel	M8	30	8	11	6	30

## Knurled screws low head steel and stainless steel, DIN 653

### Overview of items

Order No.	Main material	D	D1	D3	H	K	L
B0275.08X35	steel	M8	30	8	11	6	35
B0275.08X40	steel	M8	30	8	11	6	40
B0275.10X20	steel	M10	36	10	14	8	20
B0275.10X25	steel	M10	36	10	14	8	25
B0275.10X30	steel	M10	36	10	14	8	30
B0275.10X35	steel	M10	36	10	14	8	35
B0275.10X40	steel	M10	36	10	14	8	40
B0275.032X10	stainless steel	M3	12	3	4,5	2,5	10
B0275.032X12	stainless steel	M3	12	3	4,5	2,5	12
B0275.032X16	stainless steel	M3	12	3	4,5	2,5	16
B0275.042X8	stainless steel	M4	16	4	6,5	3,5	8
B0275.042X10	stainless steel	M4	16	4	6,5	3,5	10
B0275.042X12	stainless steel	M4	16	4	6,5	3,5	12
B0275.042X16	stainless steel	M4	16	4	6,5	3,5	16
B0275.042X20	stainless steel	M4	16	4	6,5	3,5	20
B0275.052X10	stainless steel	M5	20	5	7	4	10
B0275.052X12	stainless steel	M5	20	5	7	4	12
B0275.052X16	stainless steel	M5	20	5	7	4	16
B0275.052X20	stainless steel	M5	20	5	7	4	20
B0275.052X25	stainless steel	M5	20	5	7	4	25
B0275.052X30	stainless steel	M5	20	5	7	4	30
B0275.062X12	stainless steel	M6	24	6	9	5	12
B0275.062X16	stainless steel	M6	24	6	9	5	16
B0275.062X20	stainless steel	M6	24	6	9	5	20
B0275.062X25	stainless steel	M6	24	6	9	5	25
B0275.062X30	stainless steel	M6	24	6	9	5	30
B0275.062X35	stainless steel	M6	24	6	9	5	35
B0275.062X40	stainless steel	M6	24	6	9	5	40
B0275.082X16	stainless steel	M8	30	8	11	6	16
B0275.082X20	stainless steel	M8	30	8	11	6	20
B0275.082X25	stainless steel	M8	30	8	11	6	25
B0275.082X30	stainless steel	M8	30	8	11	6	30
B0275.102X20	stainless steel	M10	36	10	14	8	20
B0275.102X25	stainless steel	M10	36	10	14	8	25
B0275.102X30	stainless steel	M10	36	10	14	8	30
B0275.102X40	stainless steel	M10	36	10	14	8	40