

WAFER (Compact) BALL VALVES SERIES 80D

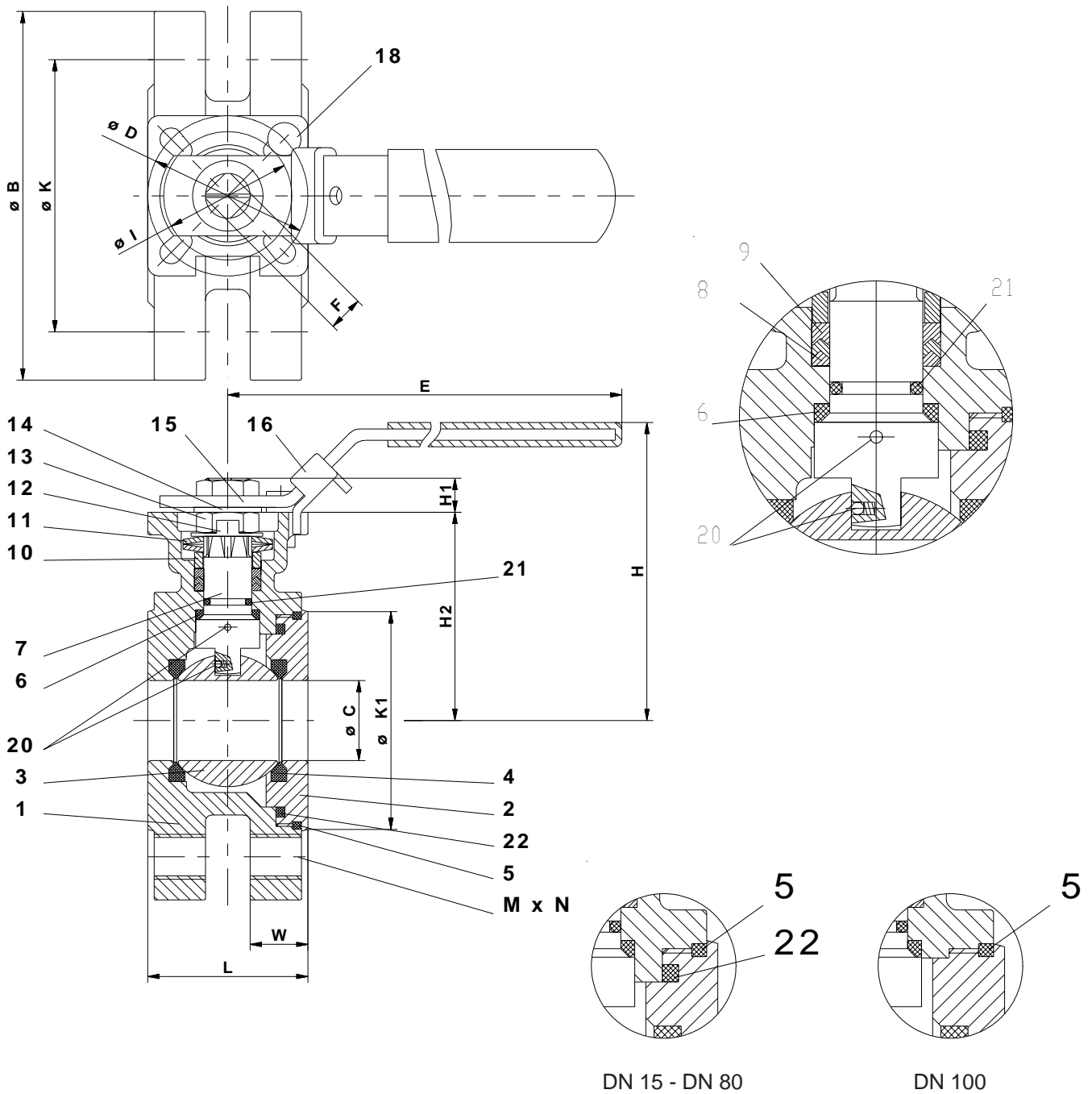
direct actuator mounting ISO 5211
stainless steel A351 CF8M

firesafe design
full bore

In accordance with PED 97/23/EC
CE 0036
ATEX 94/9/EG



DN 15 - DN 100
PN16/40



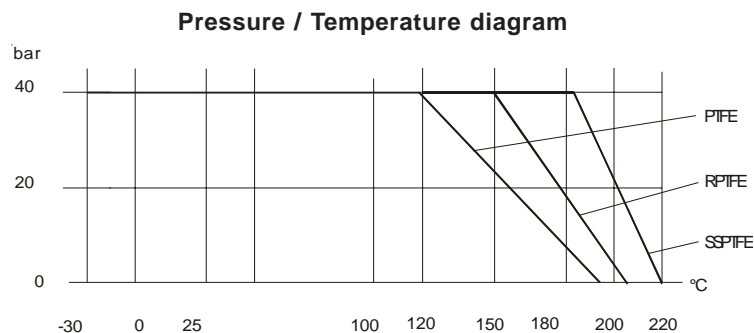
1	Body	A351 CF8M	11	Belleville washer	301
2	Insert	A351 CF8M	12	Lock saddle	304
3	Ball	316	13	Nut	304
4	Seat	PTFE/RPTEF/SSPTFE	14	Spacer ring	304
5	Body seal chambered	PTFE (firesafe = graphite*)	15	Handle	304
6	Stem seal	RPTFE	16	Locking device	304
7	Stem	316	18	Stop pin	304
8	Stem packing	PTFE (firesafe = graphite*)	20	Antistatic device	304
9	Stem packig	RPTFE (firesafe = graphite*)	21	O-Ring	Viton
10	Stem seal follower	304	22	Primary seal	PTFE

*Option

PN16/40

DN	øB	øC	øD	E	F	H	H1	H2	øI	øK	øK1
15-1/2	80.7	15	42	139	9	85	7	48.7	36	65	45
20-3/4"	98.6	20	42	139	9	90	8	53.7	36	75	58
25 -1"	115	25	50	165	11	104	12	65	40	85	68
32 -11/4"	140	32	50	165	11	116	11.3	77	40	100	78
40 -11/2"	150	38	70	215	14	135	15.5	85.5	50	110	88
50 -2"	165	50	70	215	14	142	16	93	50	125	102
65 -21/2"	185	65	102	263	17	168	15.8	109.7	70	145	122
80 -3"	200	80	102	313	17	178	16	119.5	70	160	138
100-4"/PN16	220	100	102	344	17	190	17.8	131.7	70	180	158
100-4"/PN40	235	100	102	344	17	191	17.8	132.7	70	190	162

DN	L	M x N PN16	M x N PN40	W PN16	W PN40	weight kg PN16	weight kg PN40	ISO 5211
15-1/2	40.8	M12x4	M12x4	16	16	1.5	1.5	F03/04
20-3/4"	44	M12x4	M12x4	18	18	2.4	2.4	F03/04
25 -1"	50	M12x4	M12x4	18	18	2.6	2.6	F04/05
32 -11/4"	60	M16x4	M16x4	18	18	4	4	F04/05
40 -11/2"	65	M16x4	M16x4	18	18	5	5	F05/07
50 -2"	80	M16x4	M16x4	20	20	6.1	6.1	F05/07
65 -21/2"	110	M16x4	M16x8	22	22	11.2	11	F07/10
80 -3"	120	M16x8	M16x8	24	24	14.2	14.3	F07/10
100 -4"	150	M16x8	M20x8	20	24	19.1	22.8	F07/10

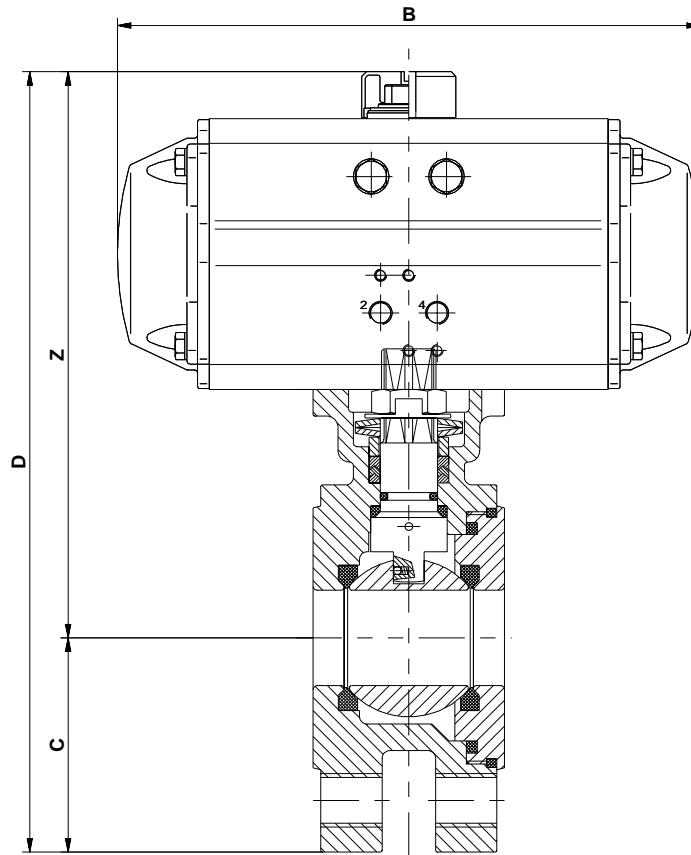


Breakaway- and running torques (Nm) for lubricating media in function of seat materials

DN	15	20	25	32	40	50	65	80	100
Breakaway-torque Nm									
PTFE/RPTFE	6	7	16	18	29	34	54	67	97
SSPTFE	7	8	18	21	33	39	62	77	112
Running-torque Nm									
PTFE/RPTFE	4	5	11	13	20	24	38	47	68
SSPTFE	5	6	13	14	23	27	43	54	78

Pressure and leakage tests according to DIN 3230 BA/BO

Series 80D with pneumatic actuator Air Torque
 (air supply 6 bar, lubricating media, max. pressure difference 10bar)



Single acting Air Torque actuator S12 and ball valve seats in PTFE/RPTFE/SSPTFE (* PN 40)

DN	15	20	25	32	40	50	65	80	100	65 SSPTFE seats
B	140.5	140.5	158.5	158.5	210.5	210.5	247.5	268.5	315	268.5
C	40	50	58	70	75	82.5	92.5	100	110/118*	92.5
D	178	209	228	269	283	311	337	367	417/425*	349
Z	138	159	170	199	208	228	245	267	307/308*	257
actuator	AT050	AT100	AT100	AT200	AT200	AT250	AT250	AT300	AT350	AT300

Double acting Air Torque actuator and ball valve seats in PTFE/RPTFE/SSPTFE (* PN 40)

DN	15	20	25	32	40	50	65	80	100
B	140.5	140.5	140.5	140.5	158.5	158.5	210.5	210.5	247.5
C	40	50	58	70	75	82.5	92.5	100	110/117.5*
D	178	193	228	252	283	298	337	355	389/397*
Z	138	143	170	182	208	215	245	255	279/280*
actuator	AT050	AT050	AT100	AT100	AT200	AT200	AT250	AT250	AT300