

*The optimum solution for fitting
in solid walls and partition walls*



Steel Frames

A comprehensive, "high-profile" programme







Hörmann brand quality	4
Construction project door programme	6
Design solutions	9
Apartment buildings	10
Hotels	11
Hospitals	12
Authorities and offices	13
Schools and nurseries	14
Steel frame HW-SL	15
Sliding doors	16
Colours and surface finishes	18
Individual frame types	19
Lock plates and insulation profiles	20
Perfect hinge design	21
Technical details	22
Hörmann product range	23

The colours and surface finishes shown are subject to the limitations of the printing process and cannot be regarded as binding.

All rights reserved. No part may be reproduced without our prior permission. Subject to changes.

Hörmann brand quality

Top safety and reliability



EON Head Office, Essen (Germany) with Hörmann products



In-house product development

Frame functions necessitate continuous new construction and equipment developments and improvements. In this area, our qualified development teams time and again prove their great specialised expertise. Hörmann has continued to extend its steel frame programme, resulting in today's complete range.



Highly sophisticated production methods

We at Hörmann rely on the latest production technology at our specialised factories. Computer-controlled operations ensure dimensionally accurate frame elements with precise fittings and functional parts. As a part of quality, environmental, energy and occupational safety management, Hörmann frames are manufactured in accordance with DIN EN ISO 9001, 14001, 50001 and BS OHSAS 18001. These are prerequisites for optimum and individual project solutions.



As Europe's leading manufacturer of doors and frames, we are committed to high product and service quality. This is how we set standards on an international scale.

Highly-specialised factories develop and produce construction components that are marked by excellent quality, functional safety and a long service life.

Our presence in the global economy's key regions makes us a strong, future-oriented partner for industrial and public construction projects.



Information for planners

Our broad programme for rebated and flush door leaves, as well as sliding doors, gives you many design options. Frames can be planned individually. You can download documents, such as our frame compendium and our latest Architects' Program, from our Architects' Forum at www.hoermann.com.



Expert building support

Experienced specialists of our customer-oriented sales organisation support you from the planning stage, through technical clarification up to the final building inspection.

Expert fitting is guaranteed by experienced Hörmann fitters and the specialised trained staff of Hörmann's partners.

Hörmann construction project door programme

The right solution for any requirement





Function doors

From sturdy steel internal doors and secure apartment entrance doors to fully glazed office doors up to external doors with thermal break, Hörmann offers a large programme with diverse colour and equipment variants.



Steel and stainless steel multi-function doors

Steel multi-function doors offer crucial advantages for architects and building owners: doors with different functional requirements that are fitted in the same storey match perfectly thanks to their identical look. STS/STU steel and stainless steel doors feature a flush-fitting, elegant appearance.



Fully glazed tubular frame parts

Hörmann's aluminium and steel fire-rated/smoke-tight doors and glazings in the T30, T60 and T90 models will convince you with certified safety, perfect function and a 100 % matching appearance. With Hörmann automatic sliding doors, you are combining the transparency of tubular frame parts with the requirements of fire protection or barrier-free construction. These products allow Hörmann to provide a uniform fire protection concept for use in architecturally demanding construction projects.



Visibility windows

Hörmann visibility glazings are used as windows or room-high elements to provide more light and better visibility. Visibility glazing is also available for special requirements, i.e. in heat and acoustic insulation or radiation-proof versions, as well as in the fire-retarding F30 and fire-resistant F90 variants. Individual solutions can be implemented using rail divisions and angles.

Figure to the left: Skyline Tower, Munich with Hörmann products

Sustainable production

For trend-setting construction



Sustainability documented and approved by the ift in Rosenheim

Hörmann has already received confirmation of the sustainability of all its multi-function doors through an environmental product declaration (EPD)* in accordance with ISO 14025 from the Institut für Fenstertechnik (ift – Institute of window technology) in Rosenheim.

The inspection was based on the Product Category Rules (PCR) Doors and Gates from ift Rosenheim GmbH, issue PCR-TT-0.1.

Environmentally-friendly production was confirmed by a life-cycle analysis in accordance with DIN ISO 14040 / 14044 for all sliding doors.

Sustainably produced fire and smoke-tight elements from Hörmann

Environmentally friendly production
A comprehensive energy management system ensures environmentally-friendly production.

Regional raw materials
The majority of applied raw materials is purchased from Germany and central Europe.

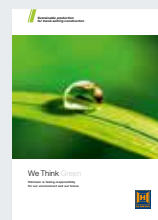
Long-lasting products
A long service life and low maintenance costs thanks to the use of high-quality materials.

Sustainable construction with Hörmann's expertise

Hörmann has been able to gain great expertise in sustainable construction through various projects. We also apply this know-how to support your projects. Another advantage: For every project order, the required data for LEED certification are automatically generated.



DGNB
Deutsche Gesellschaft für Nachhaltiges Bauen e.V.
German Sustainable Building Council



Find out more about Hörmann's environmental activities in the "We think green" brochure.

* For more information please visit our Internet site at www.hoermann.co.uk/documentation

Design solutions

For the highest architectural demands



Room-high steel frame with Hörmann tubular frame parts

You can let your imagination run wild with Hörmann's steel frames: used as a door frame or as a sliding door frame, they offer an almost unlimited range of design options.



Sliding door running in front of the wall



Flush-fitting sliding door in box design, running within the wall

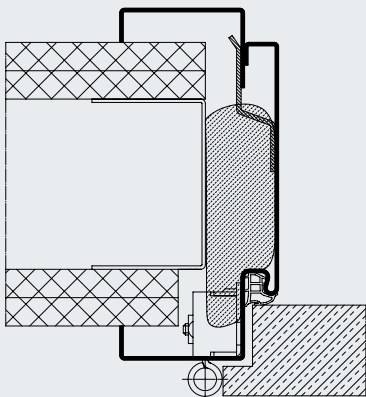
Apartment buildings

Secure, easy-to-fit and long-lasting

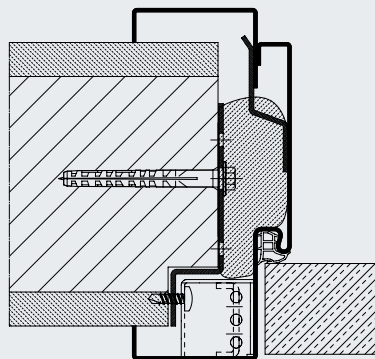


Double-shell frames for all wall types

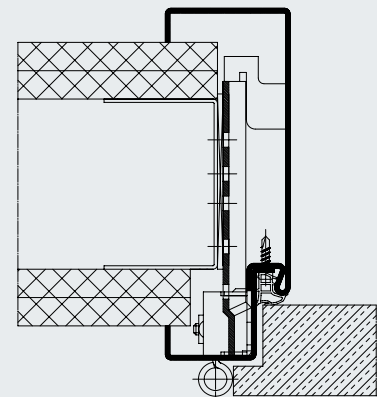
Steel frames are long lasting, timeless and modern design elements for residential construction. They appear just like the timber frames, but are not mitred. Whether used in traditional, solid, or modern lightweight constructions: Hörmann partition wall and brickwork frames are suitable for new constructions as well as for renovations and modernisations.



Double-shell frame with decorative rebate and wall width adjustment, rebated, positive fixing (2C fitting foam) (up to 50 kg door leaf weight)



Double-shell frame with decorative rebate and wall width adjustment, non-rebated, concealed hinge, non-positive/positive connection (up to 80 kg door leaf weight)



Double-shell frame without wall width adjustment, rebated

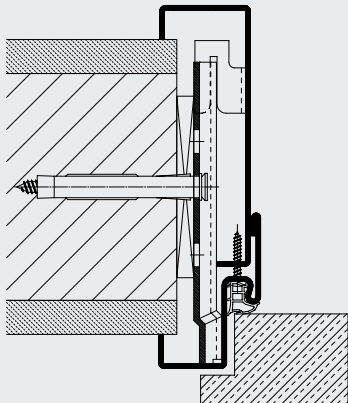
Hotels

Sturdy and with individual designs

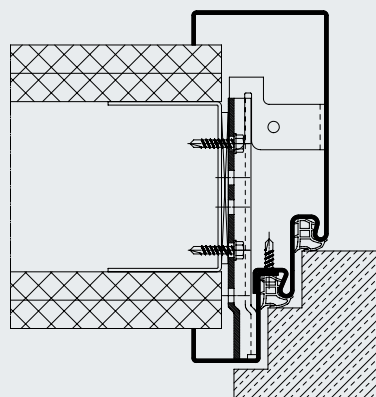


Passages and doors in hotels and B&Bs must withstand the greatest strains. Architectural demands also require individual designs and colours. Hörmann paintable steel frames perfectly fulfil these requirements and are maintenance-free and enduringly resistant to strain.

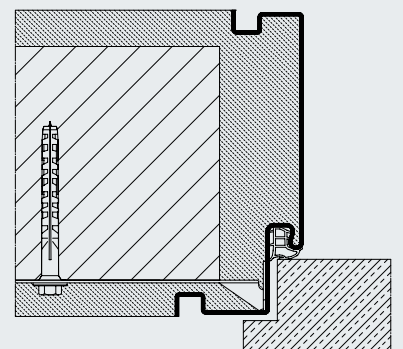
Single-shell and double-shell frame for all wall types



Double-shell frame with wall width adjustment, rebated



Double-shell frame with double rebate, rebated



Single-shell frame with edge recess, rebated

Hospitals

Resistant to impacts and easy to clean

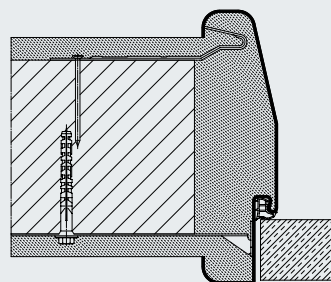


Frame with chamfered reveal

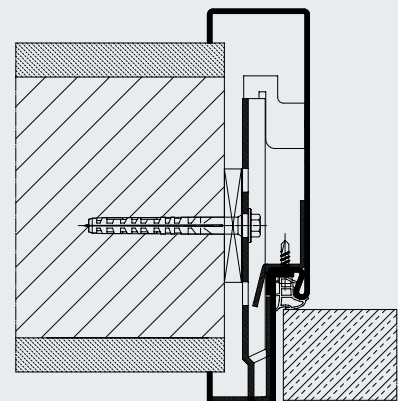
Door frames made of steel are the right solution for diverse, demanding tasks in hospitals. For example, thanks to a larger opening width, frames with a chamfered reveal make it easier to move beds through doorways. Hörmann steel and stainless steel frames are up to the challenges for efficiency, cleanliness and hygiene found in an everyday clinic environment.



Stainless steel frame



Single-shell brickwork frame with rounded reveal, non-rebated



Double-shell frame with lead insert, non-rebated

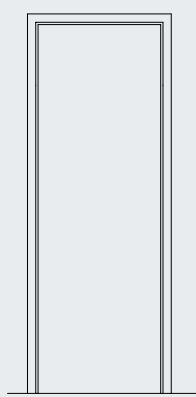
Authorities and offices

The efficient solution for highly frequented areas

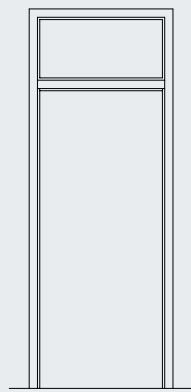
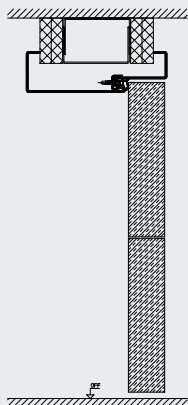


Frame prepared for overhead door closer

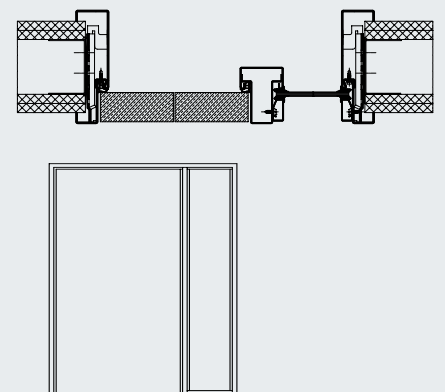
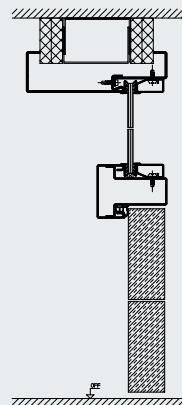
Hörmann has the right frames for high-frequency office areas. They fulfil high requirements for robustness and safety. Additional side elements and transom lights ensure bright rooms.



Room-high profile frame



Profile frame with transom light



Profile frame with side element

Schools and nurseries

For a lower risk of injury

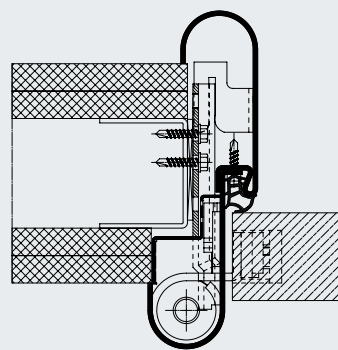


Round-style frame with Globus hinge (open)

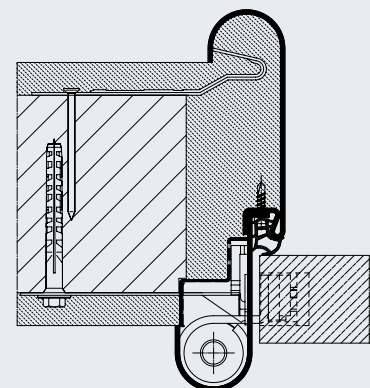


Round-style frame with Globus hinge (closed)

Frames for schools and nurseries have especially high safety standards: Hörmann's round-style frame with finger trap protection on the secondary closing edge of the hinge side reduces the danger of crushing or injuries.



Double-shell round-style VR frame, non-rebated, for partition walls



Double-shell round-style VR frame, non-rebated, for brickwork

Steel frame HW-SL

For a flush-fitting look

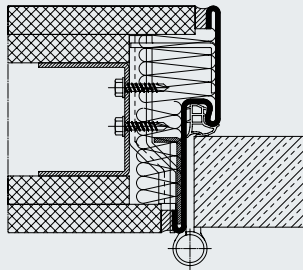


Filigreed guide roller (viewed from outside)

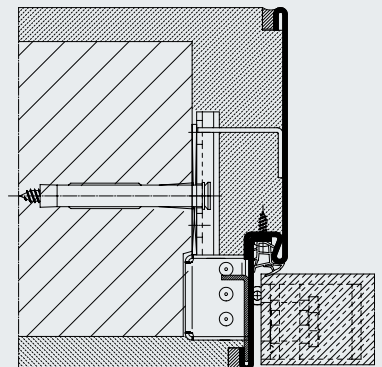


Filigreed guide roller (viewed from inside)

Hörmann offers the HW-SL frame without face for use in modern interior designs that demand narrow frame depths and integrated door closers. With concealed hinges or surface-mounted, filigreed guide rollers, they meet the highest design demands.



1-part frame, non-rebated, for partition wall, hinge system VN 2927 / 160 Compact Planum



Double-shell frame, non-rebated, for brickwork, concealed hinge

Sliding doors

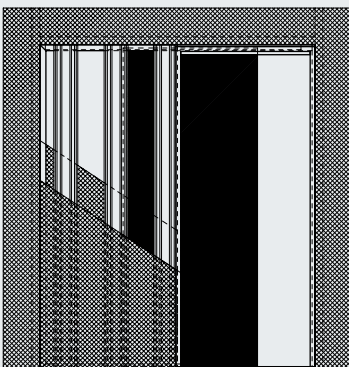
Running in front of and within the wall, as well as in an exclusive design



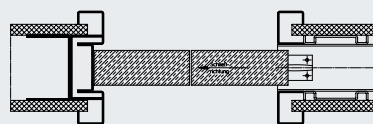
If it comes down to square meters, sliding doors are an ideal solution. The sliding door fitting is long-lasting and moves very easily. Optionally available with a soft stop on one or both sides and with an operator.

Applications for frames for sliding doors running within the wall

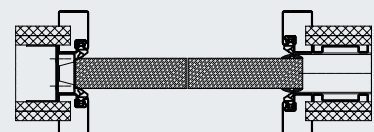
- For all wall types
- For glass and timber doors
- For solid walls with Peridur building slabs as a plaster base made of light and stable rigid foam, joints with reinforcing straps (scope of delivery)
- Sealed with timber door leaf



Sliding door, box design



Frame for sliding door running within the wall



Frame for sliding door running within the wall, sealed



Sealing profile in the frame for sealed version

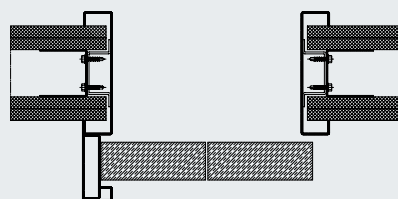


Frame for sliding door running in front of the wall, sealed

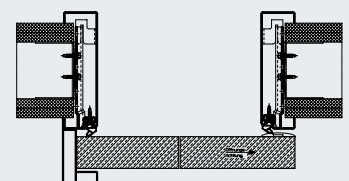
The frame variant for use in tight spaces comes with single-leaf and double-leaf sliding doors. It is particularly suitable for retrofitting as part of modernisation projects.

Applications for frames for sliding doors running in front of the wall

- For all wall types
- For glass and timber doors
- For partition walls
- With simple cladding for 100-mm wall thickness; double cladding available from a wall thickness of 125 mm



Frame for sliding door running in front of the wall



Frame for sliding door running in front of the wall, sealed

Colours and surface finishes

It's your choice

Priming

Factory-applied primer ensures optimum protection for the frame and is a good basis for further treatment.

Final powder coating

Plastic powder coating is characterised by an optimum finish and quality features such as high hardness, high elasticity and resistance to impacts, as well as lasting gloss and colour. On request, it is available in almost all RAL colours.

Stainless steel versions

Frames made of stainless steel (V2 A / V4 A) are the number one choice when high demands are made of frame surfaces' resistance to external influences.



powder-coated

Frame compendium

We have combined all the data to simplify fitting specifications in our "Frame Compendium for Solid Walls and Partition Walls". With over 330 pages, this compendium allows customers and contractors to use the same vocabulary, thus avoiding problems during project realisation. The current version of the frame compendium can be found in the Architects' Forum at www.hoermann.de/architektenforum



Zargenkompodium
für Ständerwerk und Massivwände

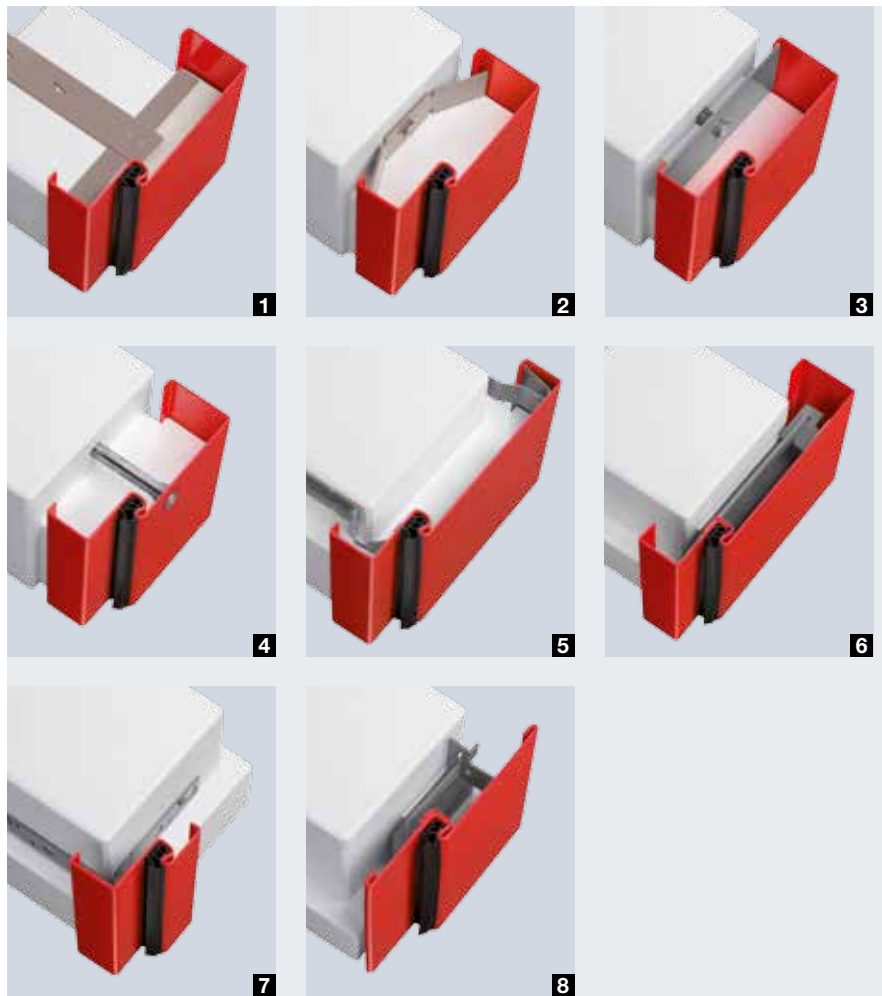


Individual frame types

A broad range for more design possibilities

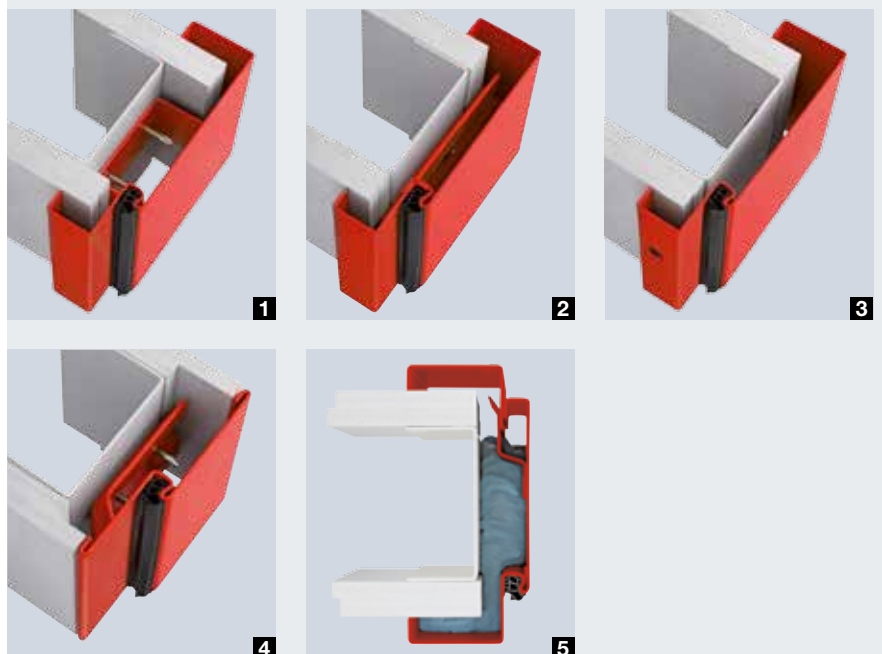
Brickwork frames

- 1 Profile frame**
Fitting with sliding anchor
- 2 Profile frame**
Fitting with propeller anchor
- 3 Profile frame**
Plug-and-screw fitting through the reveal with hole and cover cap
- 4 Profile frame**
Plug-and-screw fitting and recessed drill holes in the reveal
- 5 Profile frame**
Fitting with nail / grouting lugs and quick anchors
- 6 Profile frame**
Double-shell for retrofitting, fitting with trapezoidal anchor
- 7 Corner frame**
Fitting with nail / grouting lugs
- 8 Profile frame HW-SL**
With small viewed width, fitting with trapezoidal anchor



Door frames for partition walls

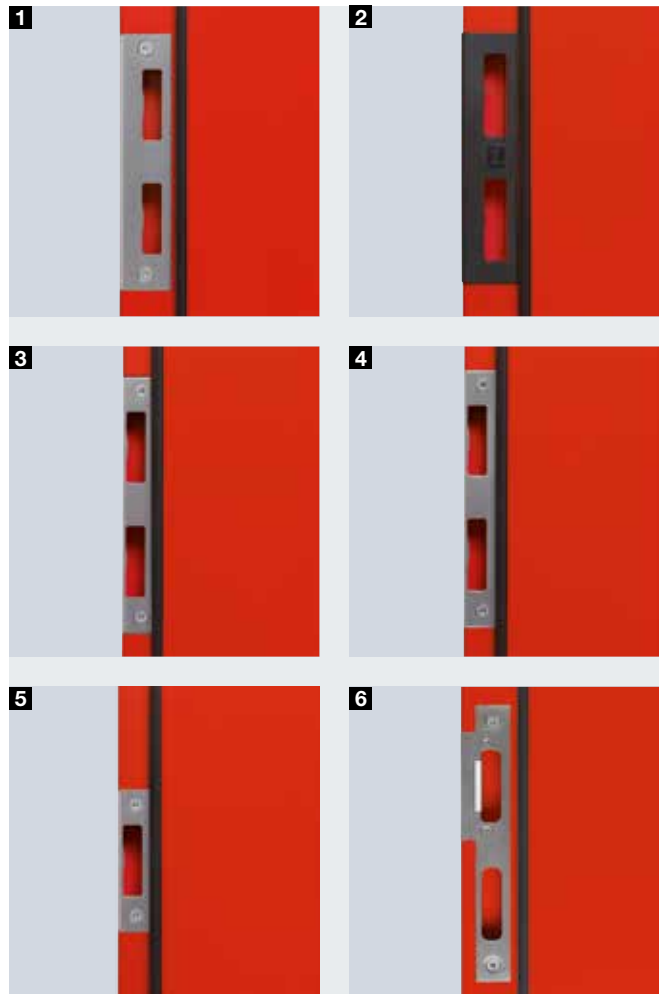
- 1 Profile frame**
Fitting with grouting lugs
- 2 Profile frame**
Double-shell for retrofitting, fitting with trapezoidal anchor
- 3 Profile frame**
Fitting with recessed drill holes through the frame face
- 4 Profile frame HW-SL**
With small viewed width, fitting with trapezoidal anchor
- 5 Profile frame**
Double-shell for retrofitting, fitting with 2C foam



Lock plates and insulation profiles

For all demands

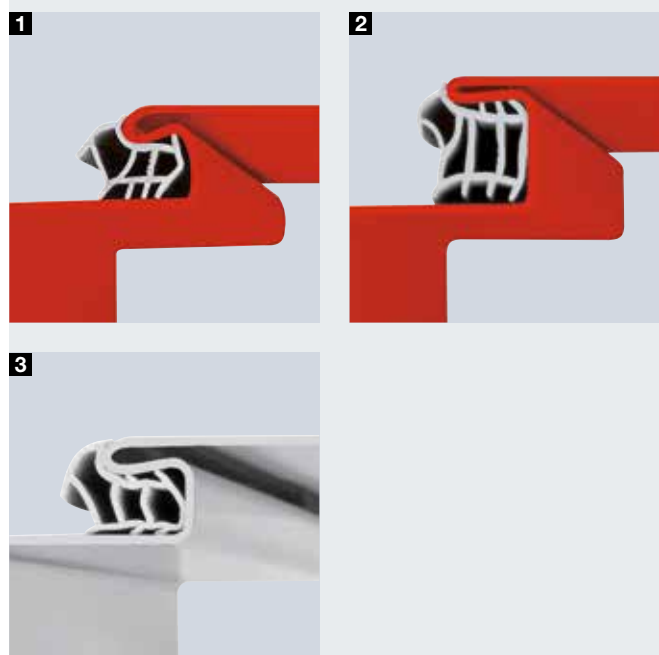
- 1** V2 A lock plate
non-rebated
 - 2** Plastic catch protection plate
 - 3** V2 A latch lock plate
Rebated (foldback to frame face)
 - 4** V2 A lock plate
rebated
 - 5** V2 A latch lock plate
rebated
 - 6** V2 A lock plate
Non-rebated with latch adjustment
- Bolts** (not shown), adjustable flush version, also available in a rebated version



Sound-absorbing seal for quiet and tight closing

The high-grade, flexible hollow-chamber sound-absorbing seals are easy to insert. They ensure that doors close snugly with hardly a sound. The standard insulation profile is available in grey, white and black.

- 1** UPVC sound-absorbing seal
Standard
Optional: UPVC-free TPE seal
- 2** UPVC sound-absorbing seal
For 20 mm rebate width
- 3** UPVC sound-absorbing seal
For stainless steel frames

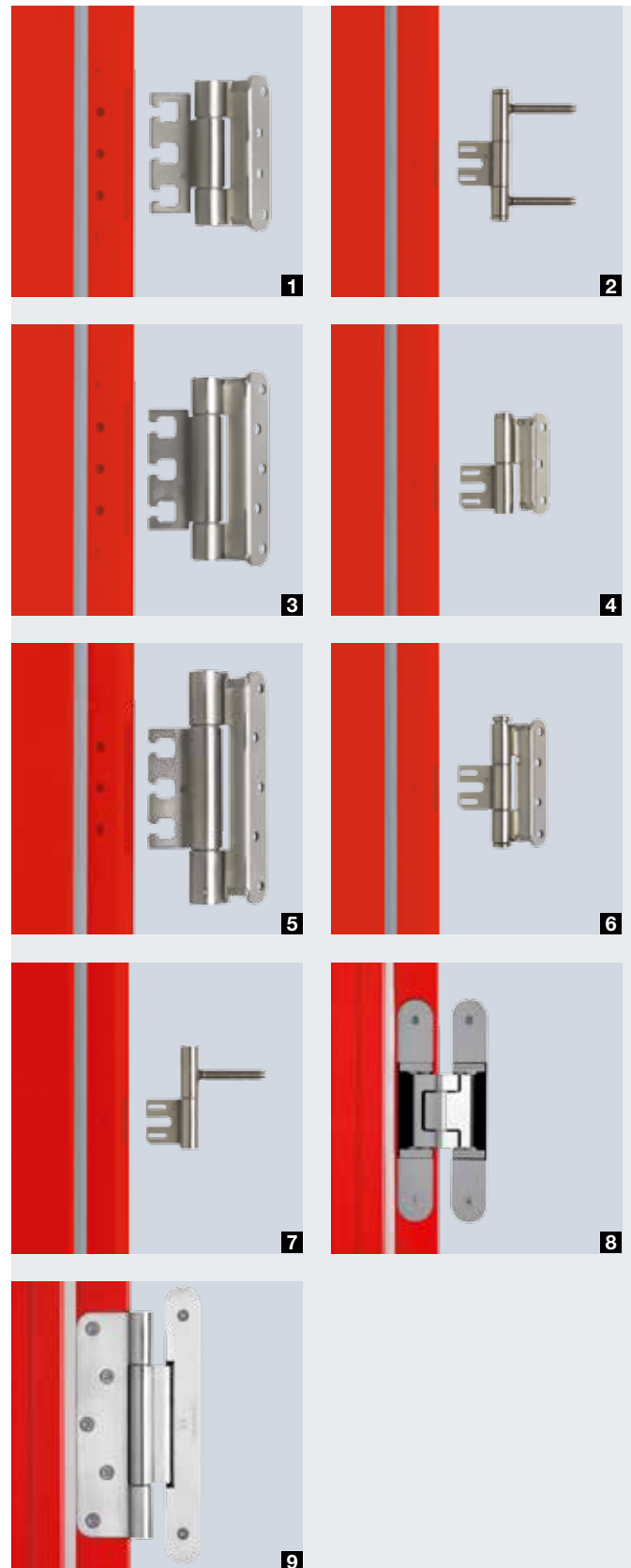


Perfect hinge design

Same hinge systems for brickwork and partition walls, can be fitted by welding or with push-in connectors

When selecting or defining the suitable hinge system, you must take into account all load factors, such as application area, opening frequency, door stop and door closer, as well as the dimensions of the door leaf used.

- 1 VX 7939 / 100**
(loading capacity up to 100 kg*)
- 2 V 8026 WF**
(loading capacity up to 70 kg*)
- 3 VX 7939 / 120**
(loading capacity up to 120 kg*)
- 4 V 8130**
(loading capacity up to 60 kg*)
- 5 VX 7939 / 160**
(loading capacity up to 160 kg*)
- 6 V 8037 WF**
(loading capacity up to 70 kg*)
- 7 V 8120**
(loading capacity up to 40 kg*)
- 8 Concealed hinge**
Depending on the version, loading capacity from 40 to 180 kg
- 9 VN 2927 / 160 Compact Planum (HW-SL)**
Loading capacity up to 100 kg
VL-9061 round-style VR (not shown)
Loading capacity up to 100 kg
Globus hinge (not shown)
Optionally available for round-style frames

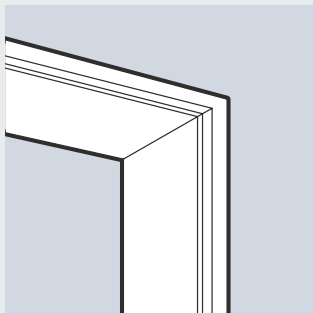


* Load values:

Maximum door leaf weight, taking the load factors into account with a door leaf size of 1000 mm x 2000 mm and using two hinges at a distance of 1435 mm. Door leaves of up to 60 kg can be fitted if using a standard support element for series V 8000 hinges.

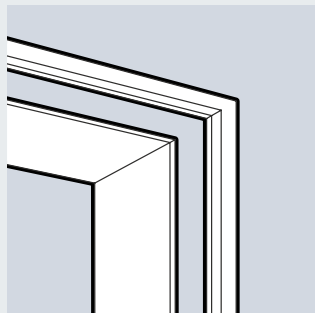
Technical details

Standard size



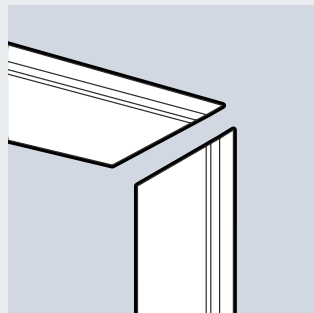
1-part frame

For solid walls and fitting in partition walls at the time of wall construction



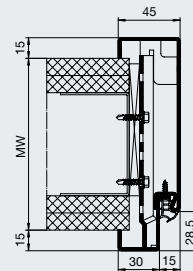
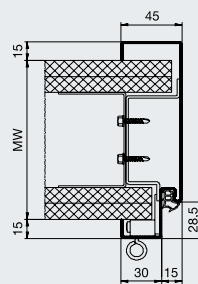
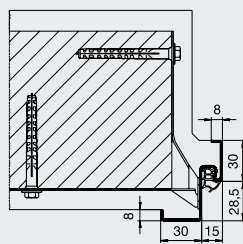
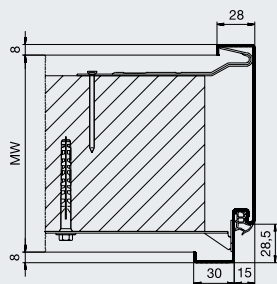
Double-shell frame

For refurbishing and retrofitting



3-piece frames

For simple clamp / screw fitting for retrofitting in partition walls



Frames for brickwork

Nominal size		Frame hold dimension		Clear frame dimension	
Width	Height	Width	Height	Width	Height
625	2000	591	1983	561	1966
750	2000	716	1983	686	1966
875	2000	841	1983	811	1966
1000	2000	966	1983	936	1966
625	2125	591	2108	561	1966
750	2125	716	2108	686	1966
875	2125	841	2108	811	1966
1000	2125	966	2108	936	1966

Frames for partition walls

Nominal size		Frame hold dimension		Clear frame dimension	
Width	Height	Width	Height	Width	Height
625	2000	591	1983	561	1966
750	2000	716	1983	686	1966
875	2000	841	1983	811	1966
1000	2000	966	1983	936	1966
625	2125	591	2108	561	1966
750	2125	716	2108	686	1966
875	2125	841	2108	811	1966
1000	2125	966	2108	936	1966

Hörmann Product Range

Everything from a single source for your construction project



1
Sectional doors



2
Rolling shutters
and rolling grilles



3
High-speed doors



4
Loading technology



5
Fire and multi-purpose
sliding doors



6
Multi-function doors
and reinforced internal doors



7
Fire and smoke-protection box
frame parts

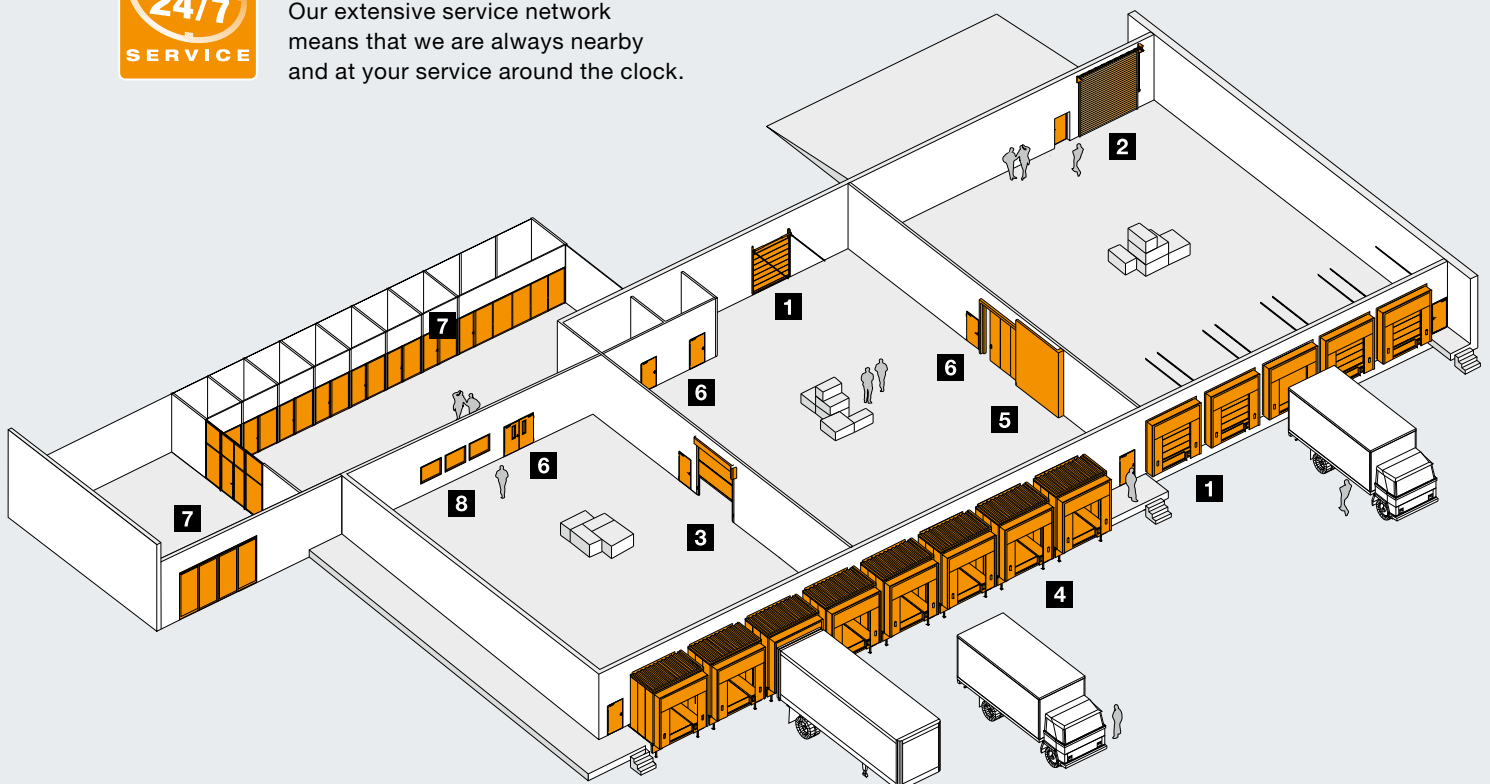


8
Visibility window



Quick service with testing, maintenance and repairs

Our extensive service network means that we are always nearby and at your service around the clock.



Hörmann: Quality without Compromise



Hörmann KG Amshausen, Germany



Hörmann KG Antriebstechnik, Germany



Hörmann KG Brandis, Germany



Hörmann KG Brockhagen, Germany



Hörmann KG Dissen, Germany



Hörmann KG Eckelhausen, Germany



Hörmann KG Freisen, Germany



Hörmann KG Ichtshausen, Germany



Hörmann KG Werne, Germany



Hörmann Genk NV, Belgium



Hörmann Alkmaar B.V., Netherlands



Hörmann Legnica Sp. z o.o., Poland



Hörmann Beijing, China



Hörmann Tianjin, China



Hörmann LLC, Montgomery IL, USA



Hörmann Flexon LLC, Burgettstown PA, USA

Hörmann is the only manufacturer worldwide that offers you a complete range of all major building products from one source. We manufacture in highly-specialised factories using the latest production technologies. The close-meshed network of sales and service companies throughout Europe, and activities in the USA and China, make Hörmann your strong partner for first-class building products, offering “Quality without Compromise”.

GARAGE DOORS
OPERATORS
INDUSTRIAL DOORS
LOADING EQUIPMENT
HINGED DOORS
DOOR FRAMES

