

Direct safety

ChlorStop - pressure safety shutoff valve for chlorine gas systems



Secure closing

The pressure safety shutoff valve ChlorStop is designed to interrupt the chlorine gas supply or escape of chlorine gas directly from a chlorine tank following a chlorine alarm or the detection of positive pressure (e.g. by the safety blow-off valve PLUS).

The ChlorStop is fitted directly to the tank valve. The valve closes in the shortest-possible time through an electromagnet. This ensures the highest safety standard and prevents further escape of chlorine gas.

A control unit with an integrated safety relay and an uninterrupted power supply is optionally available. After the reception of an external signal e.g. from the chlorine detector, the control interrupts the power supply of up to 12 valves simultaneously.

Mode of operation

The device works in accordance with the fail-safe principle. This means that in idle position, the valve is held open by the electromagnet. Should the power supply to the magnet be interrupted, the valve will close immediately and the stop lever visibly emerges from the housing as an indicator. The chlorine supply is interrupted, whatever the cause of the interruption of the power supply (chlorine alarm, cable break, actuation of the pushbutton on the device).

After the power supply to the magnet has been restored, the valve initially remains closed. Only the actuation of the stop lever (possible only on the device) will re-open the valve. This ensures that the system operator needs to locate the fault at its source which resulted in the interruption of the chlorine supply.

To enable the valves to close following a chlorine alarm, the device must be connected to a gas warning device via an external control unit. The pushbutton on the device serves maintenance and test purposes only.

Functions

- Interruption of the chlorine gas supply directly from a chlorine tank valve
- Shortest closing time with electromagnets
- Direct connection e.g. for a chlorine vacuum regulator possible
- Suitable for gaseous chlorine
- Optional control unit for simultaneous closing of up to 12 valves
- Simple start-up
- Simple and space-saving installation
- Low maintenance effort
- For chlorine gas in accordance with DIN EN 15363 and 937

Scope of delivery

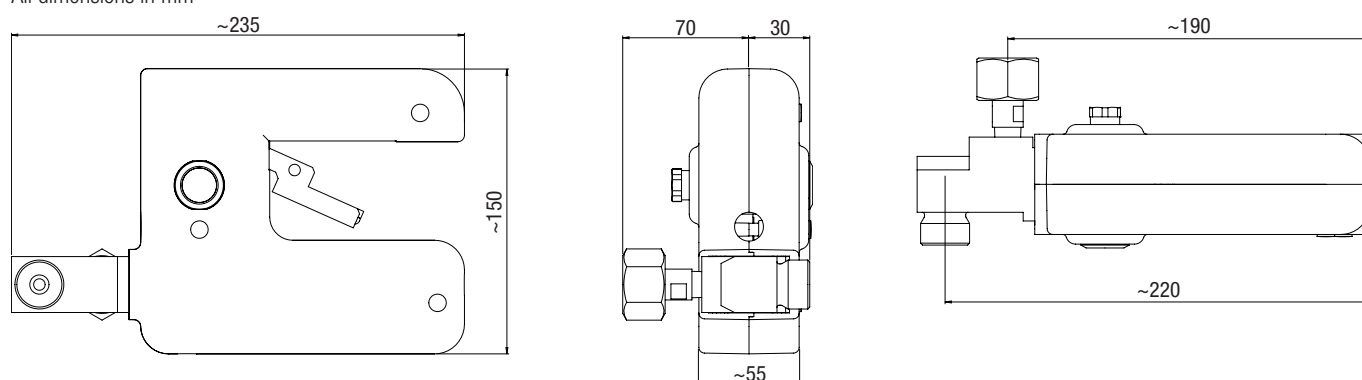
- ChlorStop with 15 m signal line (2-wire)
- Connection seal

Technical data

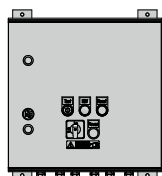
ChlorStop		
Nominal pressure		PN16
Operating mode		Closed current principle 100% ED
Reaction time upon trigger	Sec.	1 approx.
Power consumption per valve	W	5
Supply voltage	V DC	24
Protection class		IP65
Ambient temperature	°C	0 – 55
Material in contact with the media		Monel, PTFE, brass (nickel-plated)
Weight	kg	1.8

Dimensions

All dimensions in mm



ChlorStop standard - accessories



Control unit for ChlorStop

For the control of up to 12 ChlorStop devices

Voltage supply: 115V-230 V AC, 50/60 Hz; with 1.5 m power cable

Optionally available with uninterrupted power supply to perform power supply for 15 min (without alarm) with 12 valves



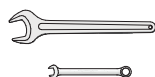
Gas warning device EASYCON GW

Measuring range chlorine gas: 0 – 10.00 ppm



Wall holder

PVC, available connections BSW 1", G 5/8, G 3/4 or 1.030"-14 NGO



Spanner set

Consisting of:

- Open-end spanner AF 32
- Ring open-end spanner AF 13



Bottle with ammonia solution

For leak test of the cylinder connection.