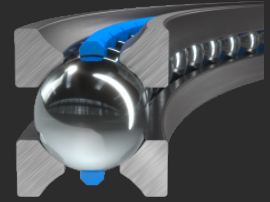


# Bearing elements with profiled raceways Type LER



Franke bearing elements of the type LER are characterized by their compact cross-section and their favourable price.

## Description

Franke bearing elements type LER are suitable for medium rotational speeds and accuracies. They convince by smooth running, high dynamics and compact installation space. Due to the straight contact surfaces, they can be easily integrated into the surrounding design and have a high rigidity. The low price makes the bearing element of type LER an economical solution. LER are generally mounted without clearance. The preload can be individually adjusted according to the requirements.

## Properties

Smooth running	●●●
Accuracy	●●●
Speed	●●●●●
Stiffness	●●●●
Assembly	●●●●
Price	●●●●

## Technical data

### Material

Ball Race Rings: 54SiCr6,  
Rolling Element: 100Cr6,  
Cage: PA12 / TPU

### Operating temperature

-30 °C to +80 °C, short-term up to +100 °C

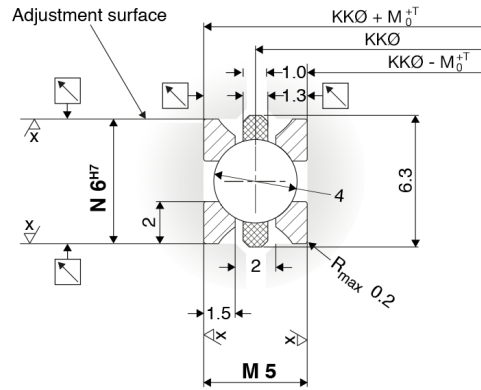
### Peripheral speed

Max. 5 m/s, without seal max. 10 m/s

### Lubricant

Shell Gadus S3 V220 C2

Data tables

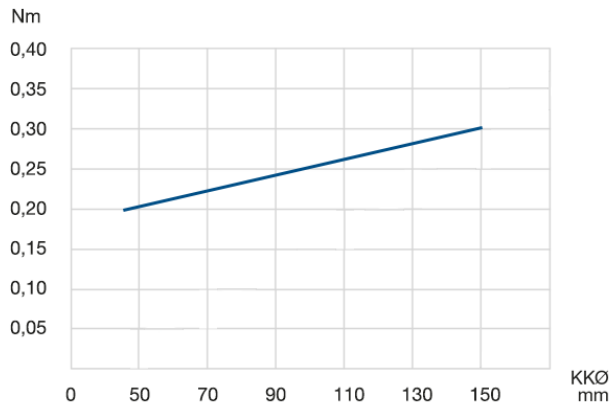


$$T = KK\varnothing / 10000 \text{ [mm]}$$

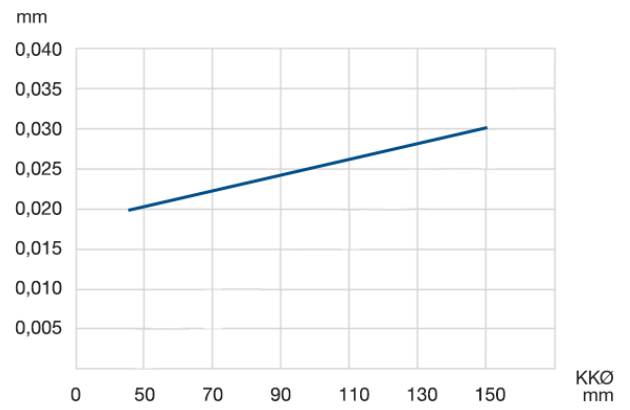
LER 1.5 - M x N 5 x 6 mm

Name	KK Ø mm	Load ratings kN				Stat. M. kNm	Weight kg	Order no.
		$C_{0a}$	$C_{0r}$	$C_a$	$C_r$			
LER1.5-0040	40	8	4	5	4	0,1	0,01	610704
LER1.5-0050	50	11	5	5	4	0,1	0,02	610705
LER1.5-0060	60	13	6	6	5	0,2	0,02	610706
LER1.5-0070	70	15	7	6	5	0,2	0,03	610707
LER1.5-0080	80	17	8	6	5	0,3	0,03	610708
LER1.5-0090	90	20	9	6	6	0,4	0,03	610709
LER1.5-0100	100	22	10	7	6	0,5	0,04	610710
LER1.5-0110	110	24	11	7	6	0,6	0,04	610711
LER1.5-0120	120	26	12	7	6	0,7	0,05	610712
LER1.5-0130	130	29	13	7	6	0,9	0,05	610713
LER1.5-0140	140	31	14	8	7	1,0	0,05	610714
LER1.5-0150	150	33	15	8	7	1,2	0,06	610715

## Rotational resistance



## Radial and axial runout accuracy



## Contact

Franke GmbH  
Obere Bahnstraße 64  
73431 Aalen

Phone +49 7361 920-0  
Fax +49 7361 920-120  
info@franke-gmbh.de

DIN EN ISO 9001 QM  
DIN EN ISO 14001 QM