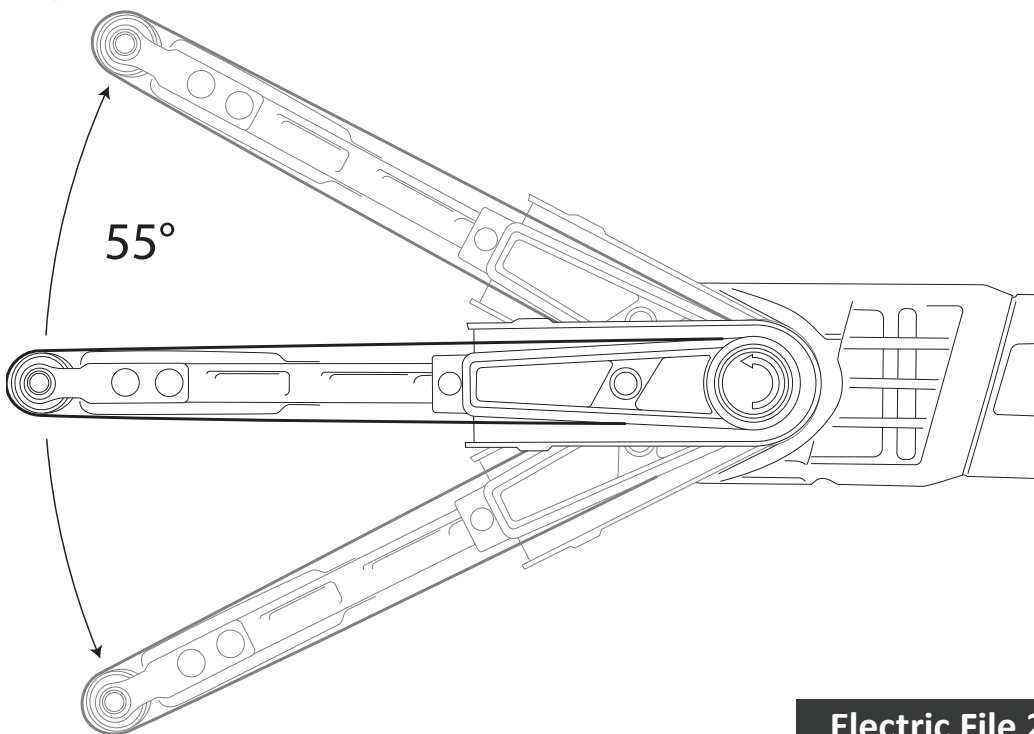
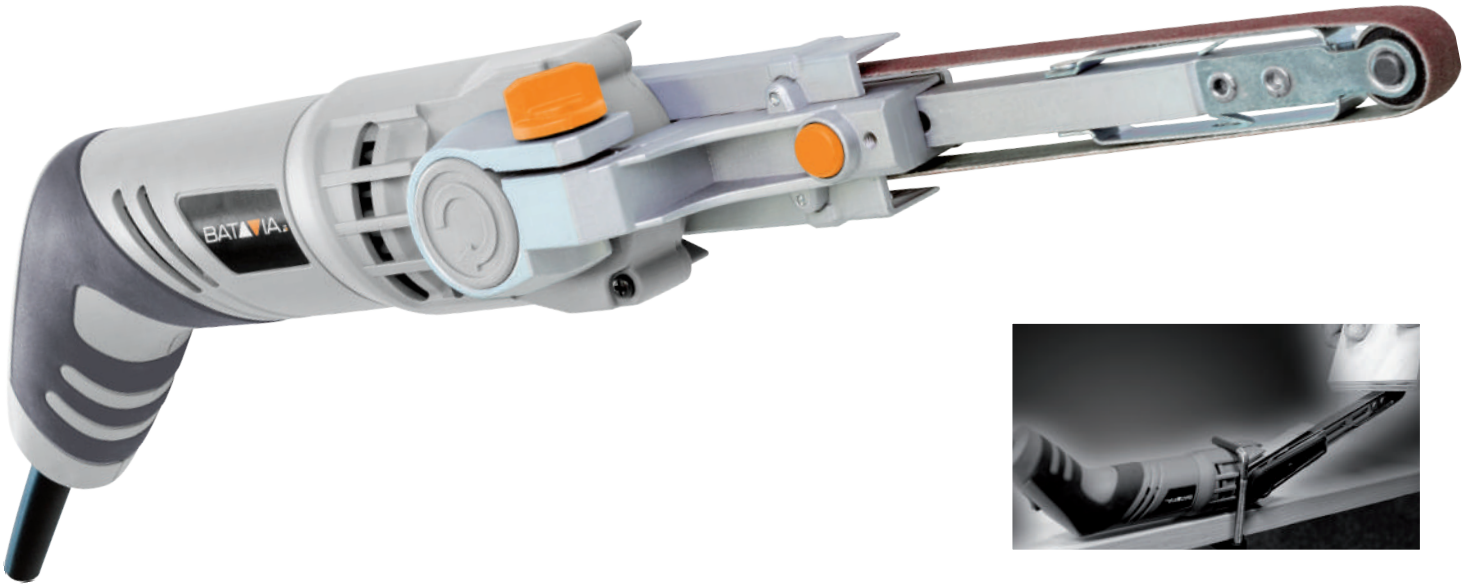


ELECTRIC FILE

260 W

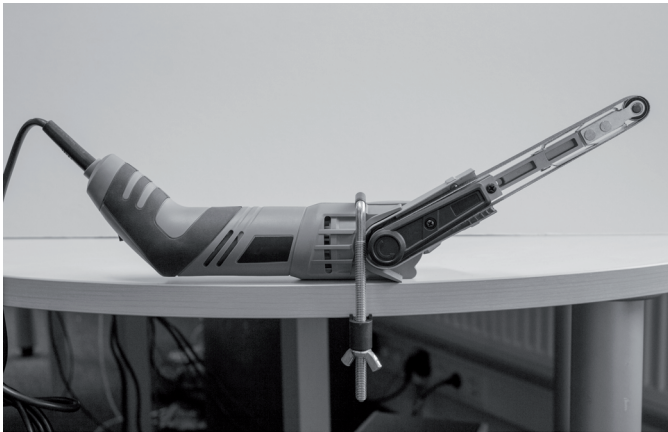
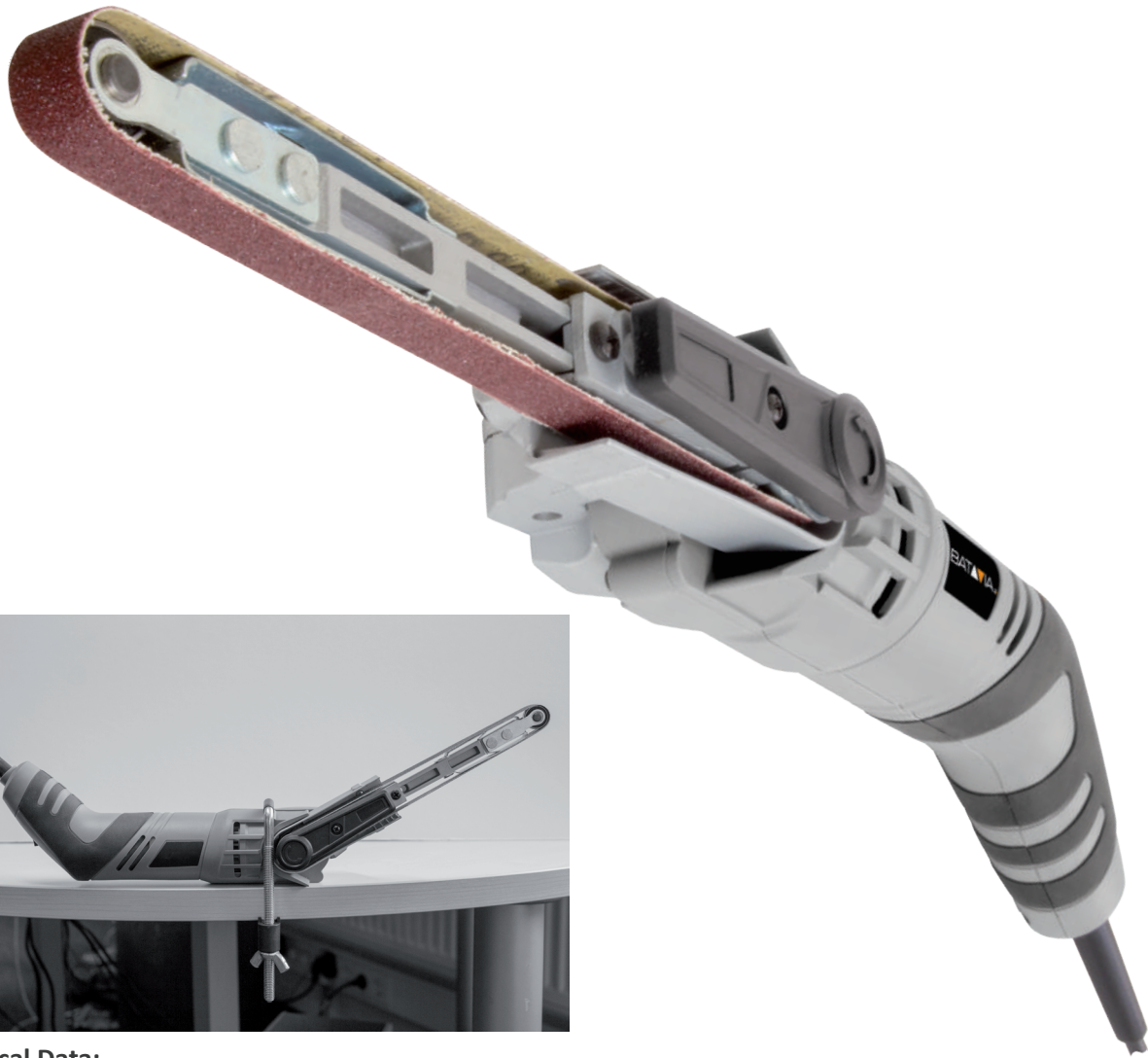


Accessories included:

- ▶ Bracket for stationary use
- ▶ Dust extraction adapter
- ▶ 3 Sanding belts

Electric File 260W

- Belt sander with slim movable sanding arm for precise sanding, polishing and sharpening.
- Due to the variable speed it is perfect for wood, metal and plastic.



Technical Data:

Voltage	230-240 VAC
Frequency	50 Hz
Power input	260 W
No load speed	330 – 500 m / min
Sanding belt size	13 x 457 mm
Movable sanding arm	55°
Cable length	3 m

Delivery includes:

- 1 Electric File
- 3 Sanding belts
- 1 Set carbon brushes

Logistical Data:

EAN Code:	4050255024982
Quantity Box:	6 Pieces
Quantity Pallet:	126 Pieces
Quantity FCL 20":	3600 Pieces
Quantity FCL 40":	7500 Pieces
Weight:	1.5 kg

Certificates:

CE, GS, RoHS, PAHS, REACH

Item no: 7062051

