

WS 250



short description

Compact ventilation unit with very effective heat recovery, EC motors with constant volumetric flow regulation, 4 x DN 160, including digital operator unit, frost protection heating, bypass, DIBT and passive energy house approval, 100 - 250 m³/h, KNX connection possible

Article number 0095.0050

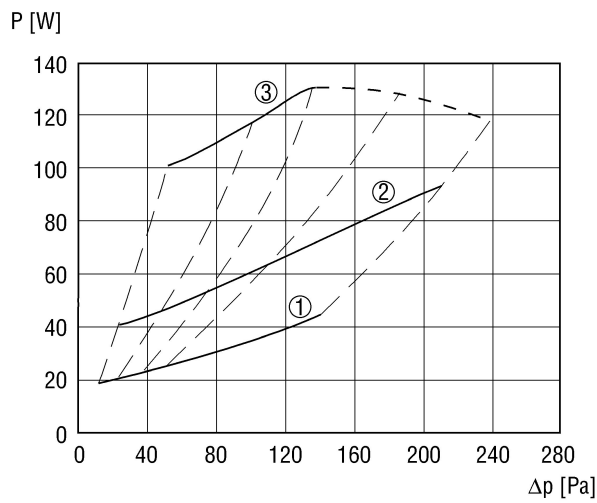
Technical Data

Number of ventilation levels	3
Air flow volume	100 - 250 m ³ /h
Volumetric flow constant	Yes
Type of voltage	Alternating current
Rated voltage	230 V
Frequency	50 Hz / 60 Hz
Power consumption	30 - 95 W / At 100 Pa counter pressure
I _{max}	6.9 A/With active defroster heating
Degree of protection (IP)	00
Electrical plug-type connection	Earthing contact
DIBT approval	Yes
PH certification	Yes
Installation site	Cellar, Storage tank, Jamb wall, Utility room, Heating room
Housing material	Sheet steel, powder coated
Heat exchanger material	Synthetic material
Colour	Pure white, similar to RAL 9010
Weight	80 kg
Filter class	G4, F7
Connection diameter	160 mm
Connection diameter of condensation drain	1/2" hose connection
Width x height x depth	854 x 531 x 759 mm
Airstream temperature at I _{Max}	50 °C
Degree of heat provision	92 %
Heat exchanger construction type	Cross-counterflow
Antifreeze circuit	Yes
Frost protection register, integrated	integrated
Summer circuit	Yes
Humidity control	HY 5, HY 5 I, HY 10 AP, HY 10 UP
Air quality control	EAQ 10/1
KNX connection possible	Yes

WS 250

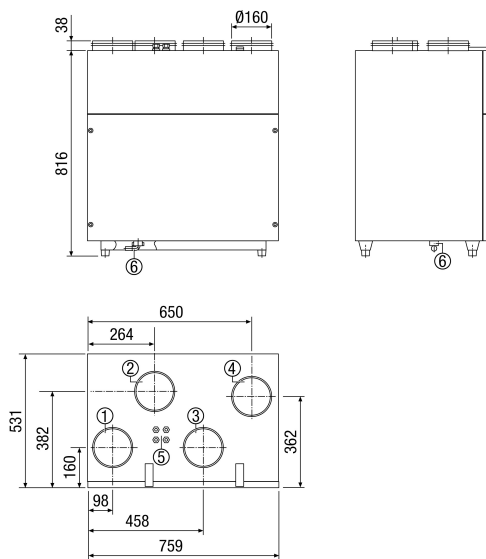
Control unit included in scope of delivery.	Yes
Control unit optional	No
Sound pressure level	36 dB(A)/Spacing 1m, sound absorption 10 m ²
Approval number	Z-51.3-104
Range	K
EAN	4012799950509

Characteristic curve



- ① Step 1: 100 m³ / h
- ② Step 2: 150 m³ / h
- ③ Step 3: 250 m³ / h

Dimensions [mm]



- ① Outgoing air
- ② Supply air
- ③ Exhaust air
- ④ Outside air
- ⑤ Electrical connection
- ⑥ Condensation connection