



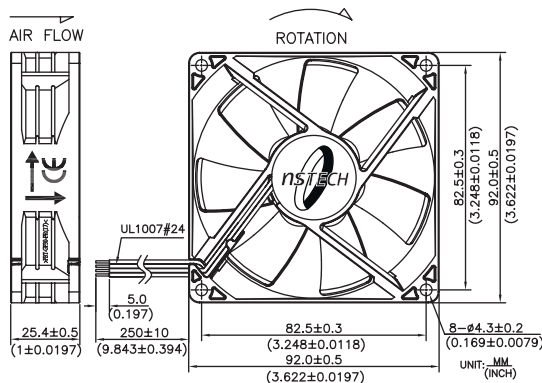
Superior Series (PS) 92mmx92mmx25mm



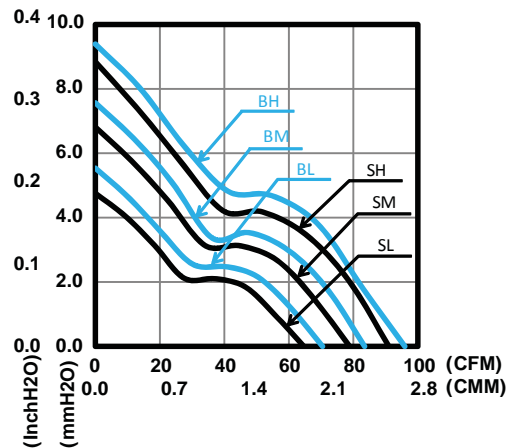
- Bearing Type : FLB, Ball Bearing
- Function Type (Optional): FG Signal, RD Signal, PWM
- Protection :
Auto Restart Protection, Polarity Reverse Protection
- Lead Wire :
UL 1007 AWG #24 OR Equivalent
Red Wire : Positive (+)
Black Wire : Negative (-)
Yellow Wire : FG Signal, RD Signal
Blue Wire : PWM



★ Dimensions Drawing



★ Performance Curves



Specification		Rated Voltage VDC	Operating Voltage VDC	Rated Current Amp	Input Current Amp	Input Power Watt	Rated Speed RPM	Air Flow		Air Pressure		Noise dBA
Model	Function Type							CMM	CFM	mmH ₂ O	InH ₂ O	
PSAD19225SL	P000/PF00	12	6~13.8	0.22	0.18	2.16	2900	1.83	64.7	4.77	0.19	37.5
PSAD19225SM	PR00/M000	12	6~13.8	0.34	0.28	3.36	3500	2.23	78.9	6.82	0.27	43.0
PSAD19225SH	MF00/MR00	12	6~13.8	0.50	0.41	4.92	4000	2.58	91.2	8.83	0.35	47.0
PSAD19225BL	P000/PF00	12	6~13.8	0.22	0.18	2.16	3100	2.00	70.5	5.54	0.22	40.5
PSAD19225BM	PR00/M000	12	6~13.8	0.34	0.27	3.24	3700	2.37	83.6	7.57	0.30	44.5
PSAD19225BH	MF00/MR00	12	6~13.8	0.50	0.40	4.80	4200	2.72	96.1	9.38	0.37	48.5

* Function type is optional
 * The data shows typical value at rated voltage
 * Sound level is measured at the distance of one meter from fan intake side
 * Specifications are subject to change without notice