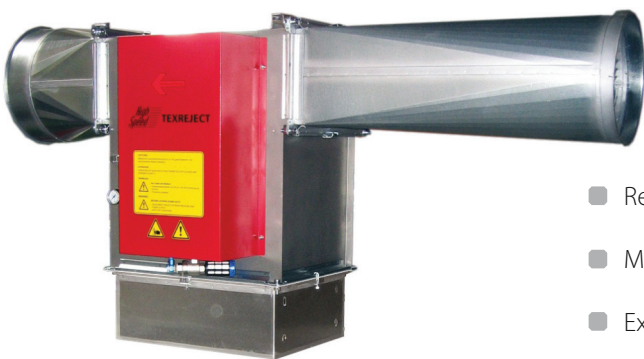


REMOVING METALS: FASTER, TOUGHER SHORTER.

Version 08/11

EJECTION GATE High Speed TEXREJECT

FOR INSTALLATION IN PNEUMATIC FIBRE PROCESSING LINES

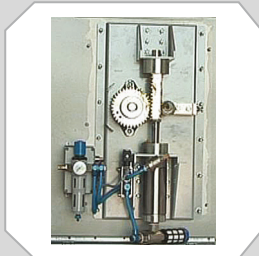


- Reliable metal and spark detection.
- Minimum ejection loss through ultra-fast switching time.
- Extremely robust - 300 000 switches without visible wear.
- Suitable for pressure and suction transport.

MESUTRONIC
Metal Detection made in Germany

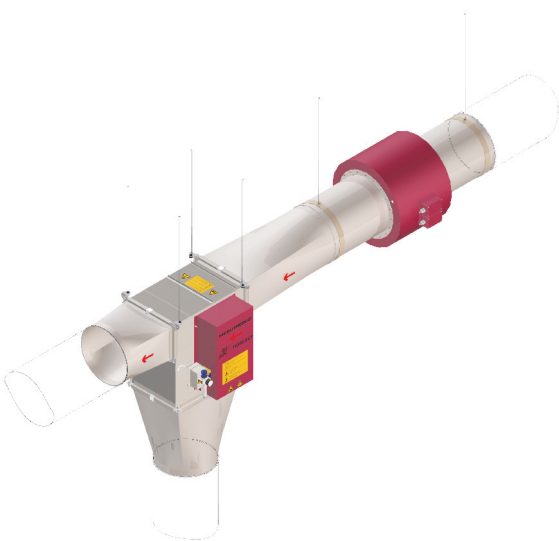
High Speed TEXREJECT

Metal Detection made in Germany means:



- The High Speed TEXREJECT ejection gate reliably ejects all metal contaminants and sparks from all pneumatic processing lines fully automatically and without production interruptions.
- A fast-reacting, high-performance and hard-wearing zero maintenance pneumatic drive ensures ultra-fast switching times (opening = 0.05 seconds) and guarantees a long life-cycle (300.000 switches without visible wear).
- The ejection gate can be integrated into all prevailing pipe systems (Ø 220, 250, 300, 350 and 400 mm). On request we can gladly manufacture and supply ejection gates for larger nominal pipe diameters or for other pipe geometries, e.g. rectangular transport ducts.
- Multi-purpose application: In conjunction with the matching eject material collection container (optionally available), the High Speed TEXREJECT ejection gate is also suitable for suction transport operation.
- Highest possible ejection security and at the same time minimum ejection loss through High Speed TEXREJECT and intelligent gate control (metal detector with Positive Speed Control optionally available).
- Very compact ejection systems with less than 4 m installation length when metal or spark detectors are combined with a High Speed TEXREJECT ejection gate.

Detailed information can be found in our technical data sheet.



A successful duo

Since the market introduction of the High Speed TEXREJECT ejection gate in combination with the metal detector series METRON 05 PowerLine, production stoppages, machine damage, high ejection losses and fires have become a thing of the past. The contaminant material ejection system guarantees maximum plant availability and thereby maximum profit!

MESUTRONIC

Metal Detection made in Germany

MESUTRONIC Gerätebau GmbH • Hackenfeld 13 • D-94259 Kirchberg, Wald
Tel.: +49- (0)9927 / 9410-0 • Fax: +49- (0)9927 / 1732
E-Mail: sales@mesutronic.de • www.mesutronic.de