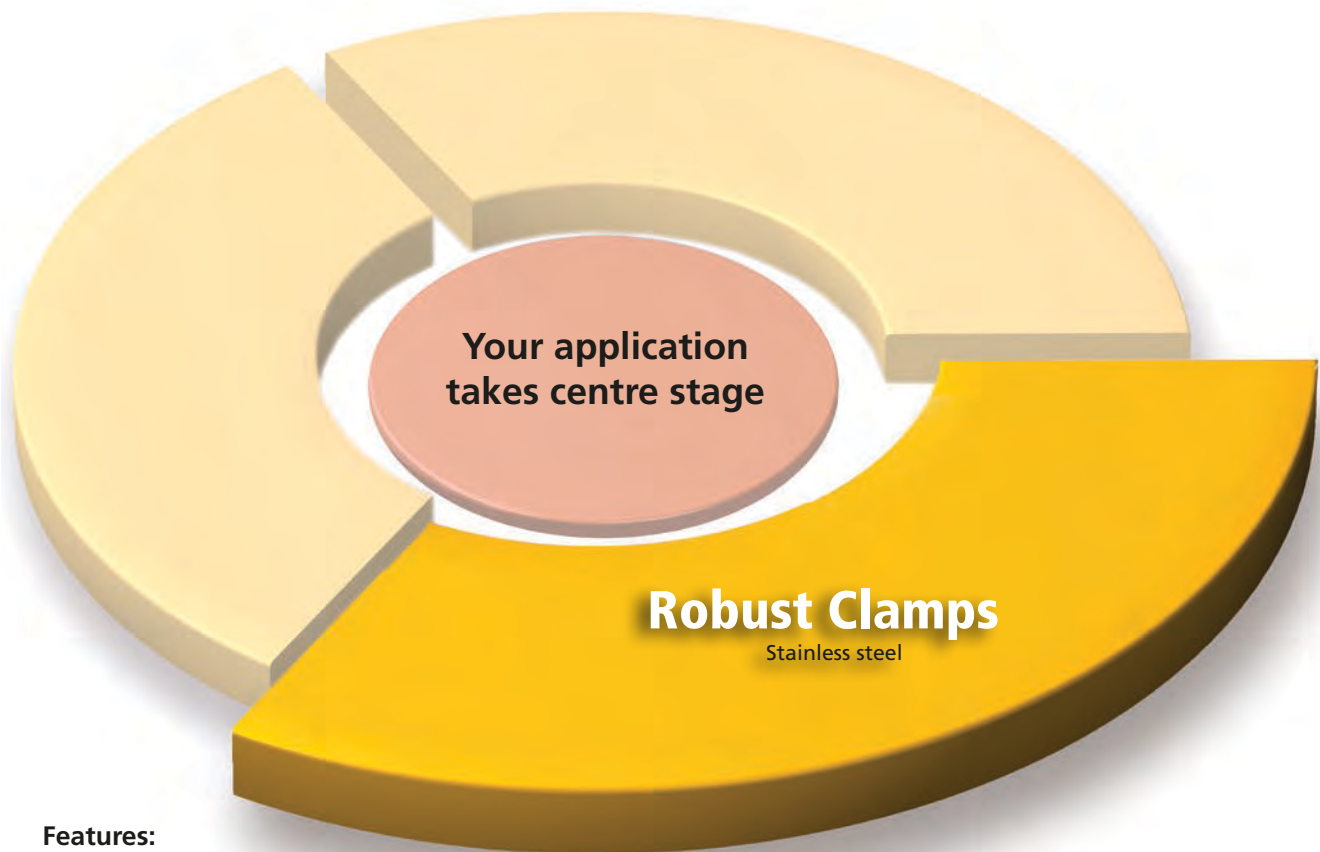
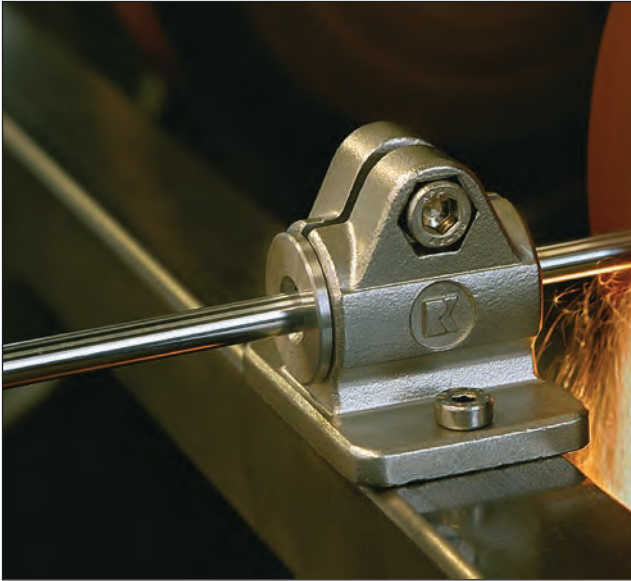


# Robust Clamps Shock-proof load range



## Features:

- ✓ Extremely strong
- ✓ Vibration proof
- ✓ Impact and shock load



... specific demands require specific solutions.



**RK ROSE+KRIEGER**



Shock-proof load range

Loads..... page 203

Right angle tube connector..... page 206

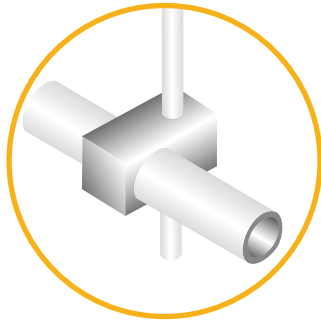
Axially parallel tube connector..... page 209

# ***Robust Clamps***

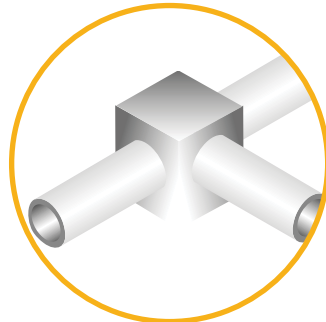


... specific demands require specific solutionp.

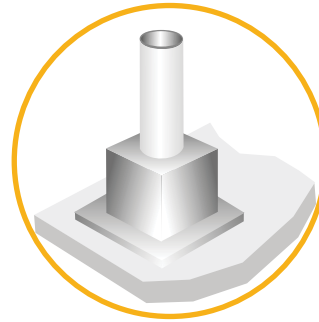
■ Right angle tube connector



Cross clamps

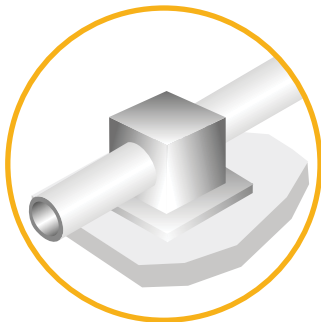


Angle clamps



Base clamps

■ Axially parallel tube connector

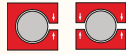


Flange clamps

**Robust Clamps - table of contents**

**Right angle tube connector**

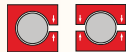
(Single-piece and multi-piece elements)



- Cross clamps ..... p. 206
- Angle clamps ..... p. 207
- Base clamps ..... p. 208

**Axially parallel tube connector**

(Single-piece and multi-piece elements)



- Flange clamps ..... p. 209

**Accessories**

- Accessories ..... from p. 210



Verion:

■ Robust Clamps



delivery  
from stock



Single-piece elements

✓ For the quick and inexpensive installation



Cross clamps



Angle clamps



Base clamps



Flange clamps

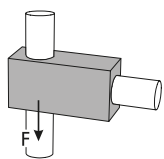
## Stainless steel:

- Impact and shock load
- High temperature resistance
- Corrosion resistance
- Stainless steel precision casting

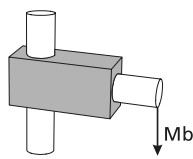
## Loads robust clamps

### Attention!

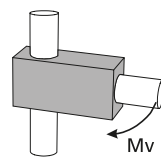
The data in the chart do not ensure a guarantee of quality or a warrant characteristic of our products. These are nonbinding standard values which might be not reached in individual cases due to the temperature or surface finish of the clamping profile.



Adhesion force  $F$  [kN]



Bending moment  $M_b$  [Nm]



Twisting moment  $M_v$  [Nm]

Tightening torque of

clamping screws:

M6: 10 Nm

M8: 25 Nm

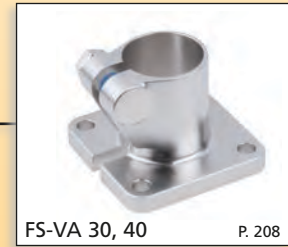
M10: 50 Nm

Material data sheet  
available upon request.

Size Type	Ø12 - 18			Ø 30			Ø 40		
	F	$M_b$	$M_v$	F	$M_b$	$M_v$	F	$M_b$	$M_v$
<b>Cross clamps</b>									
K-VA	7,3	328	37	8,6	975	104	15,5	1780	355
<b>Angle clamps</b>									
W-VA	4,4	449	31	5,8	1570	30	10,1	3360	183
<b>Base clamps</b>									
FS-VA	5,5	175	30	7,2	1420	82	7,9	2790	150
<b>Flange clamps</b>									
FK-VA	6,3	236	44	8,4	740	115	15,2	2580	236

# Robust Clamps – Comprehensive view

Right angle  
tube connector



Axially parallel tube  
connector





Simple probe fixation in an aggressive environment.



# Robust Clamps – Cross-/Angle clamps

## Order instruction:

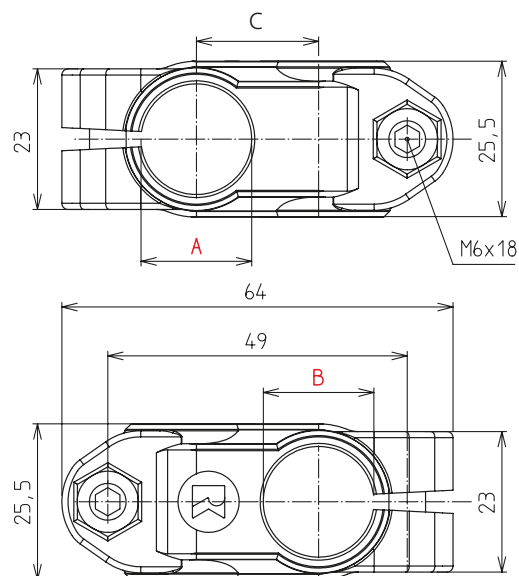
- Standard equipment zinc plated screws
- Clamping lever see accessories page 222



K-VA 12–14



K-VA 16–20

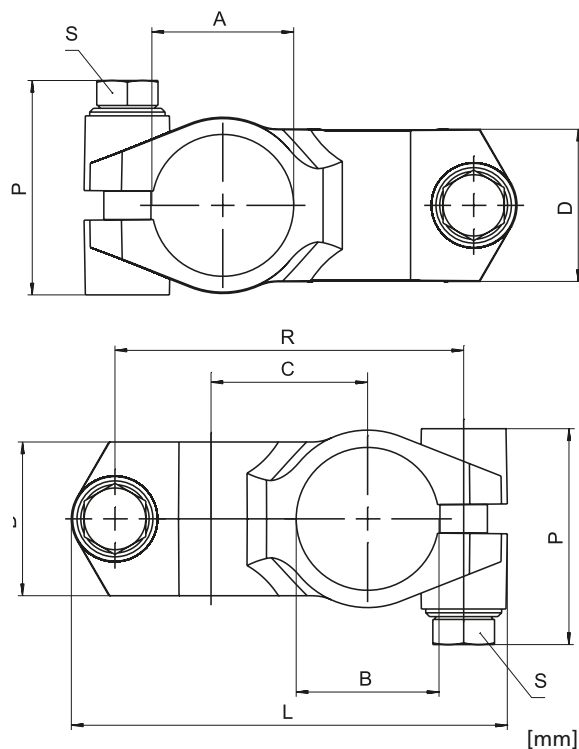


## Cross clamps K-VA

Code No.	Type	A	B	C	m [g]
101200003800	K-VA 12	12,1	12,1	20	198
101400003800	K-VA 14	14,1	14,1	20	183
101600003800	K-VA 16	16,1	16,1	20	165
101800003800	K-VA 18	18,1	18,1	20	144
102000003800	K-VA 20	20,1	20,1	21	106



K-VA 30, 40



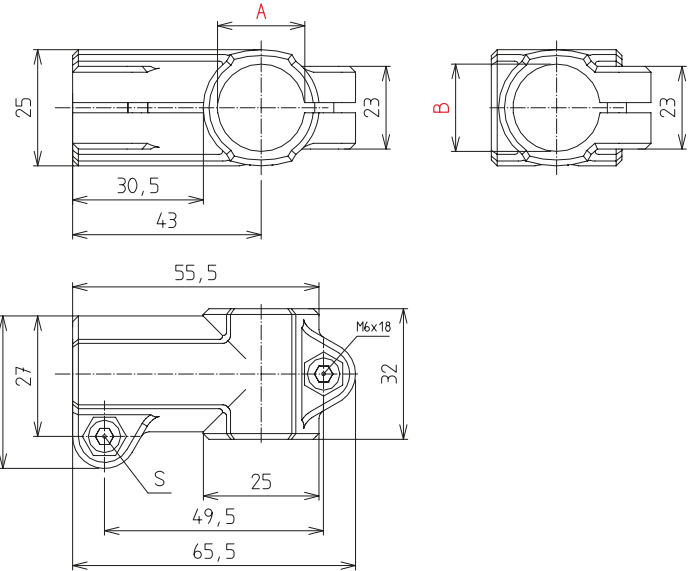
Code No.	Type	A	B	C	D	L	P	R	S	m[g]
103000003900	K-VA 30	30,1	30,1	33	32,4	92	45,5	73,5	M8x30	348
104000003900	K-VA 40	40,17	40,17	42	40,4	118	52	95,5	M10x35	647



W-VA 12-14



W-VA 16-20



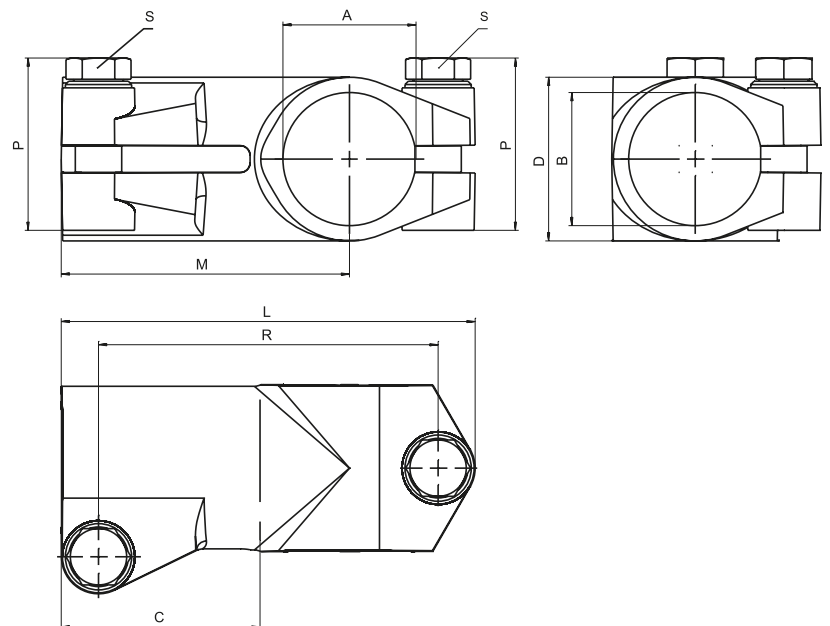
### Angle clamps W-VA

[mm]

Code No.	Type	A	B	m [g]
111200003800	W-VA 12	12,1	12,1	235
111400003800	W-VA 14	14,1	14,1	216
111600003800	W-VA 16	16,1	16,1	194
111800003800	W-VA 18	18,1	18,1	169
112000003800	W-VA 20	20,1	20,1	123



W-VA 30, 40



[mm]

Code No.	Type	A	B	C	D	L	M	P	R	S	m[g]
113000003900	W-VA 30	30,1	30,1	40	38,4	87	58	45,5	69	M8x30	403
114000003900	W-VA 40	40,17	40,17	60	50,4	124,9	87	52	102,5	M10x35	875

# Robust Clamps – Base-/Flange clamps

## Order instruction:

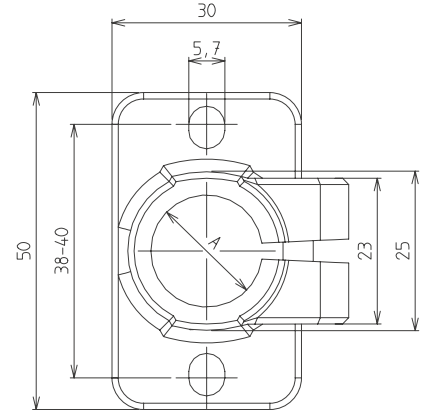
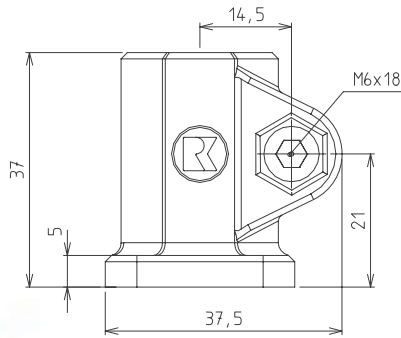
- Standard equipment zinc plated screws
- Clamping lever see accessories page 222



FS-VA 12-14



FS-VA 16-20



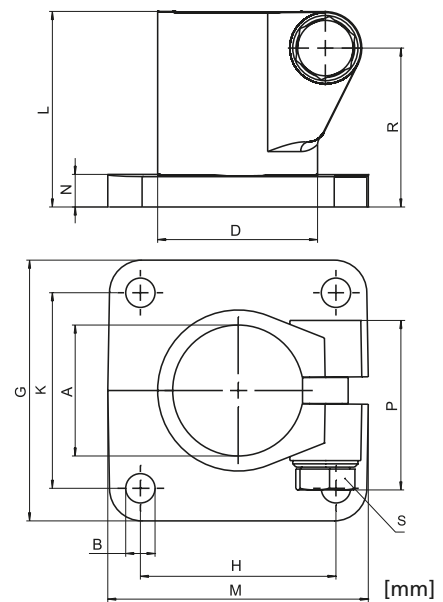
## Base clamps FS-VA

[mm]

Code No.	Type	A	m [g]
13120000380	FS-VA 12	12,1	163
13140000380	FS-VA 14	14,1	151
13160000380	FS-VA 16	16,1	138
13180000380	FS-VA 18	18,1	124
13200000380	FS-VA 20	20,1	99



FS-VA 30, 40



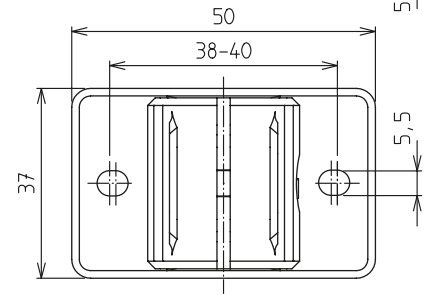
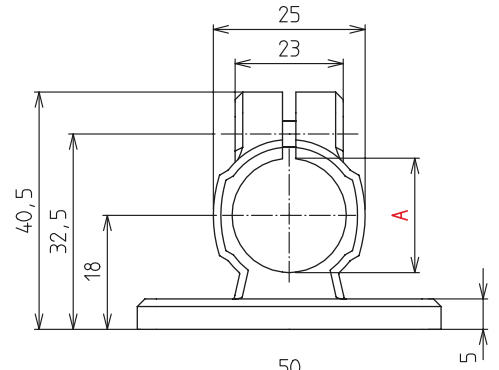
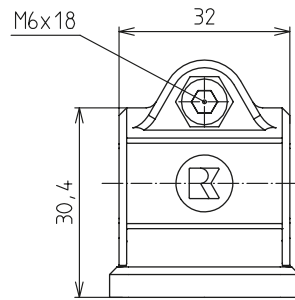
Code No.	Type	A	B	D	G	H	K	L	M	N	P	R	S	m[g]
13300000390	FS-VA 30	30,1	7	37,4	60	40	40	50	60	7	45,5	41	M8x30	316
13400000390	FS-VA 40	40,17	9	49,4	80	60	60	60	80	10	52	90	M10x35	629



FK-VA 12-14



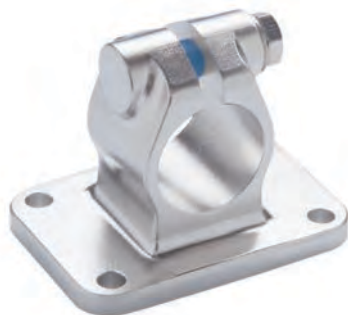
FK-VA 16-20



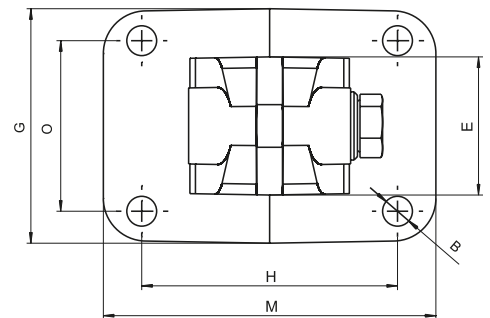
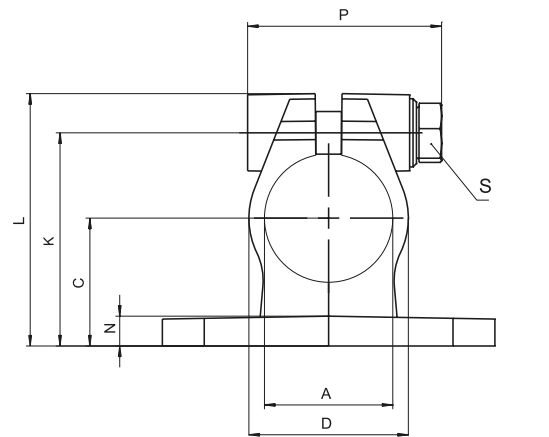
**Flange clamps FK-VA**

[mm]

Code No.	Type	A	m [g]
12120000380	FK-VA 12	12,1	178
12140000380	FK-VA 14	14,1	167
12160000380	FK-VA 16	16,1	156
12180000380	FK-VA 18	18,1	143
12200000380	FK-VA 20	20,1	120

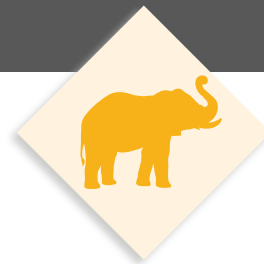


FK-VA 30, 40



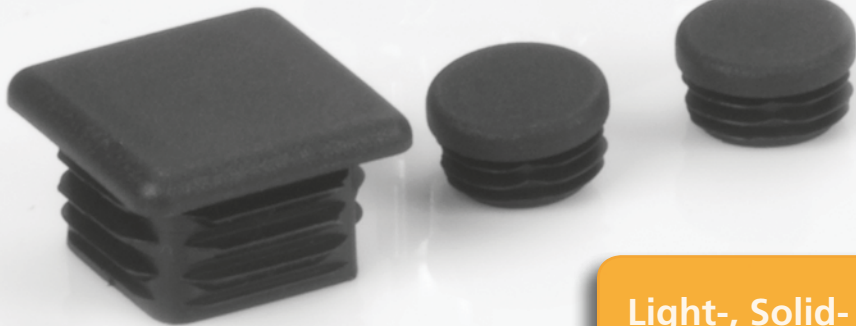
[mm]

Code No.	Type	A	B	C	D	E	G	H	K	L	M	N	O	P	S	m[g]
12300000390	FK 30	30,1	7	30	37,4	32,4	55	60	50	59,2	78	7	40	45,5	M8x30	370
12400000390	FK 40	40,17	9	42	49,4	46,4	80	60	69	80	80	10	60	52	M10x35	849





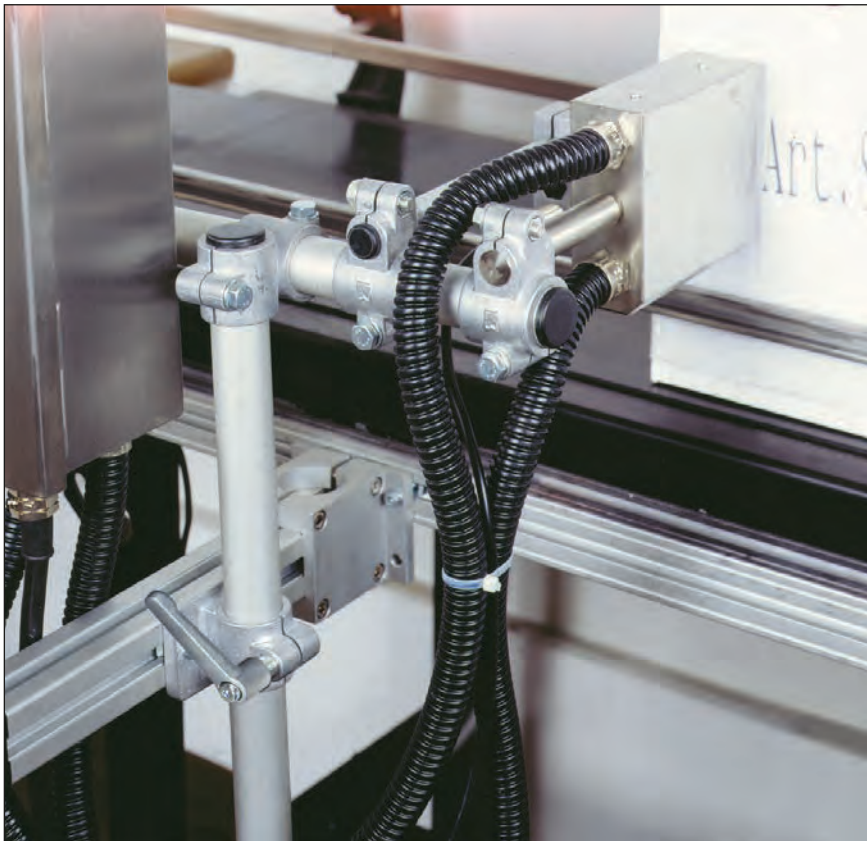
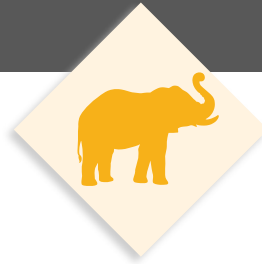
RK ROSE+KRIEGER



Light-, Solid- & Robust Clamps

Accessories ..... from p. 212

# Accessories



Print head holder on a packaging machine – can be moved as required.

**Accessories - table of contents**

**Accessories**



■ Steel-, Stainless steel-, Aluminium tubes ... p. 214



■ Aluminium bars /-profiles ..... p. 216



■ Threaded stopper ..... p. 217



■ Tube stopper ..... p. 218



■ Special tube fittings ..... p. 219



■ Adjustable feet ..... p. 220



■ Castors ..... p. 221



■ Clamping levers / Insert nuts ..... from p. 222



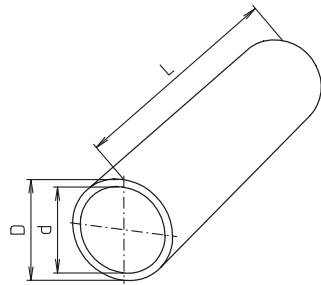
■ Adapter sleeve R28 ..... p.



# Accessories

## Order instruction:

- Cut-to-length or standard lengths



## Steel-, Stainless steel tubes / round

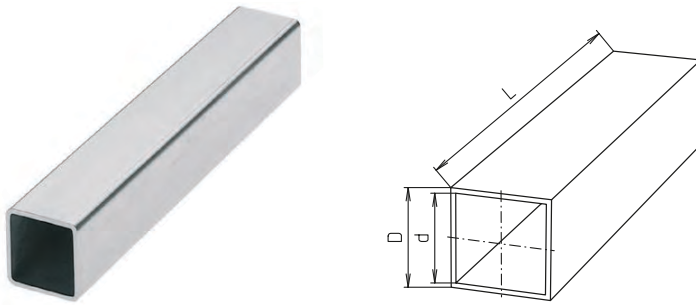
[mm]

Code No.	Type	D tol. zinc-plated	L max. zinc-plated	D tol. stainless steel	L max. stainless steel	d		
801215_ _ _ _ _	12x1,5	12 ± 0,1	6000	12 ± 0,12	3000	9		
801415_ _ _ _ _	14x1,5	14 ± 0,1		14 ± 0,14		12		
801515_ _ _ _ _	15x1,5	15 ± 0,1		15 ± 0,15			13	
801615_ _ _ _ _	16 x1,5	16 ± 0,1		16 ± 0,16				15
801815_ _ _ _ _	18x1,5	18 ± 0,1		18 ± 0,12				
802020_ _ _ _ _	20x2	20 ± 0,1		20 ± 0,12	3000	21		
802520_ _ _ _ _	25x2	25 ± 0,1		25 ± 0,25			26	
803020_ _ _ _ _	30x2	30 ± 0,1		30 ± 0,10		26		
803230_ _ _ _ _	32x3	32 ± 0,15		32 ± 0,15				29
803530* _ _ _ _ _	35x3	35 ± 0,15		–		32		
804040_ _ _ _ _	40x4	40 + 0,15		40 + 0,12	34			
804240* _ _ _ _ _	42x4	42 ± 0,2		–		37		
804540* _ _ _ _ _	45x4	45 ± 0,2		–			41	
804835* _ _ _ _ _	48x3,5	48 ± 0,2		–	40			
804840* _ _ _ _ _	48x4	48 ± 0,2		–		42		
805040_ _ _ _ _	50x4	50 + 0,2	50 + 0,15	47				
805540* _ _ _ _ _	55x4	55 ± 0,25	–		50			
806050_ _ _ _ _	60x5	60 + 0,25	60 + 0,20	52				
806250* _ _ _ _ _	62x5	62 ± 0,3	–		70			
808050* _ _ _ _ _	80x5	80 ± 0,35	5840	–				

**Length:**  
every length is possible  
**standard lengths\*\*:**  
0500, 1000, 2000,  
3000 und 4000 mm

**Version:**  
0 = polished St 37-2  
1 = galvanized zinc-plated St 37-2  
2 = stainless steel VA 1.4301


\* Not available in stainless steel  
\*\* standard lengths only for galvanized zinc-plated



### Steel / square

[mm]

Code No.	Type	D tol.	L max. zinc-plated
812010_ _ _ _ _	20x1,5	20 ± 0,2	4000
812515_ _ _ _ _	25x1,5	25 ± 0,25	6000
813020_ _ _ _ _	30x2	30 ± 0,25	4000
814030_ _ _ _ _	40x3	40 ± 0,3	6000
815030_ _ _ _ _	50x3	50 ± 0,3	
816040_ _ _ _ _	60x4	60 ± 0,35	
818050_ _ _ _ _	80x5	80 ± 0,5	


**Length:**  
 every length is possible  
**standard lengths**  
 0500, 1000, 2000, 3000 und 4000 mm


**Version:**  
 0 = polished St 37-2  
 1 = galvanized zinc-plated St 37-2

### Stainless steel tubes / square

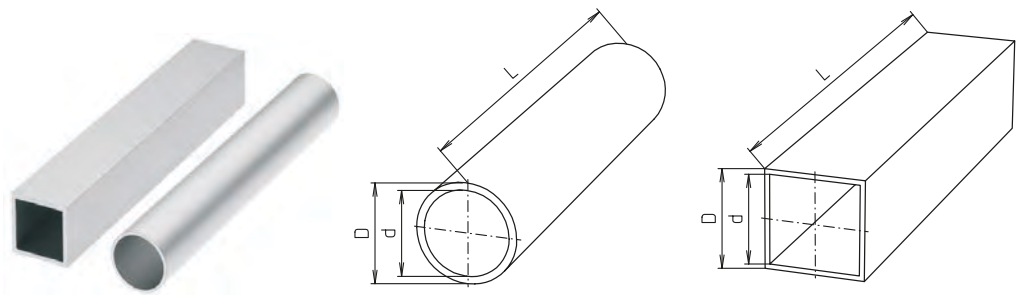
Standard tube has no tolerance limit

[mm]

Code No.	Type	D tol.	L max.
8120102_ _ _ _ _	20x1,5	-	6000
8125152_ _ _ _ _	25x1,5	-	
8130202_ _ _ _ _	30x2	-	
8140302_ _ _ _ _	40x3	-	
8150302_ _ _ _ _	50x3	-	
8160402_ _ _ _ _	60x4	-	
8180502_ _ _ _ _	80x5	-	


**Length:**  
 every length is possible

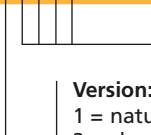
# Accessories



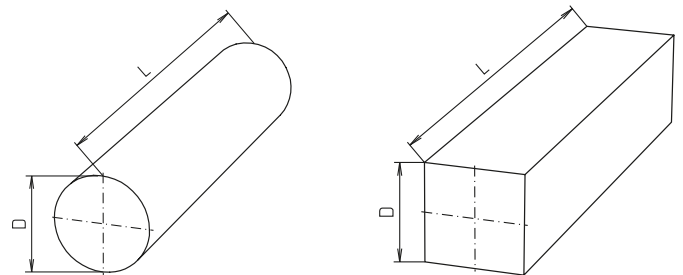
## Aluminium tubes

[mm]

Code No.	Type	D tol.	d	L max.
<b>round</b>				
822030_ _ _ _ _	20x3	20 ± 0,1	14	6000
823020_ _ _ _ _	30x2	30 ± 0,1	26	
824030_ _ _ _ _	40x3	40 ± 0,15	34	
825030_ _ _ _ _	50x3	50 ± 0,2	44	
826030_ _ _ _ _	60x3	60 + 0,2	54	
<b>square</b>				
832015_ _ _ _ _	20x1,5	20 ± 0,2	17	6000
833020_ _ _ _ _	30x2	30 ± 0,2	26	
834040_ _ _ _ _	40x4	40 ± 0,3	32	
835040_ _ _ _ _	50x4	50 ± 0,4	42	
836040_ _ _ _ _	60x4	60 ± 0,4	52	


**Length:**  
 every length is possible

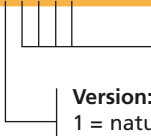
**Version:**  
 1 = natural AlMgSi0,5  
 2 = clear anodized AlMgSi0,5  
 3 = black anodized AlMgSi0,5  
 (on request)



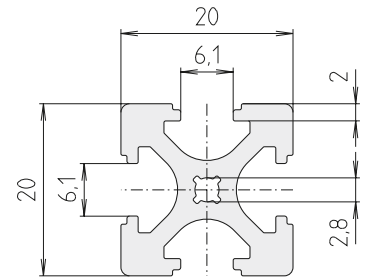
## Aluminium bars

[mm]

Code No.	Type	D tol.	L max.
<b>round</b>			
820800_ _ _ _ _	8	8	3000
821000_ _ _ _ _	10	10	3000
<b>square</b>			
831000_ _ _ _ _	10	10	3000


**Length:**  
 every length is possible

**Version:**  
 1 = natural AlMgSi0,5  
 2 = clear anodized AlMgSi0,5  
 3 = black anodized AlMgSi0,5  
 (on request)



## Aluminium profile F-20x20

[mm]

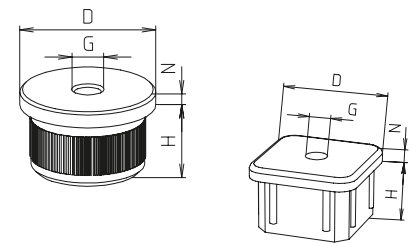
Code No.	Version	Anodized
E01000BBC	bar	natural
E01000BBA	cut	natural
E01000BCC	bar	black
E01000BCA	cut	black

max. 3000 mm



### Length:

Standard lengths (clear and black anodized)  
500, 1000 und 2000 mm  
On request every cut is possible



## Round tube threaded stopper

[mm]

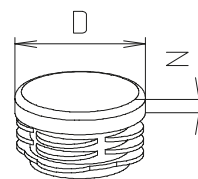
Code No.	Type	D	G	H	N
Aluminium					
90321	50x4	50	M10	25	6
90322			M16		
90323	60x5	60	M10	30	6
90324			M16		

## Square tube threaded stopper

[mm]

Code No.	Type	D	G	H	N
Aluminium					
90421	50x3	50x50	M10	25	6
90422			M16		
90427	60x4	60x60	M10	25	8
90425			M16		
90426			M20		

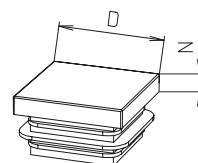
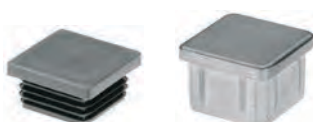
# Accessories



## Round tube stopper

[mm]

Code No.	Type	packaging	Ø D	N
<b>Black polyethylene</b>				
90301	18x1,5	1	18	5
90301C	18x1,5	10		
90302	20x2	1	20	5
90302C	20x2	10		
90303	25x2	1	25	5
90303C	25x2	10		
90304	30x2	1	30	5
90304C	30x2	10		
90305	32x3	1	30	5
90312	35x3	1		
90306	40x3	1	40	5
90307	40x4	1		
90308	45x4	1	45	5
90309	48x4	1		
90310	50x3 / 50x4	1	50	5
90311	60x5	1	55	
<b>Aluminium</b>				
90331	50x4		55	6
90332	60x5			



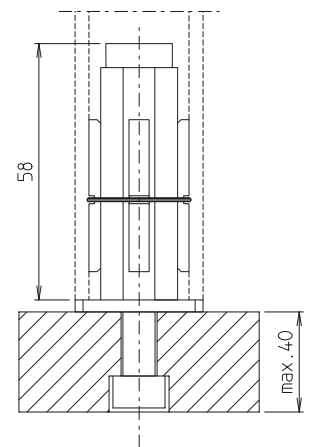
## Square tube stopper

[mm]

Code No.	Type	packaging	□ D	N
<b>Black polyethylene</b>				
90400C	20x1	10	20x20	5
90401	25x1,5	1	25x25	
90402	30x2		30x30	
90403	35x2,5		35x35	
90404	40x3		40x40	5
90408	40x4		50x50	
90405	50x3		60x60	5
90406	60x4		80x80	
90407	80x5			
<b>Aluminium</b>				
90411	50x3		50x50	6

- Order instruction  
Steel parts galvanized zinc-plated

- Clamping element for  $\varnothing$  and  $\square$ tubes
- Clamping capacity for  $\varnothing$  21–40,5 mm
- Clamping capacity for  $\square$ 16,5–32 mm



### Special tube fittings

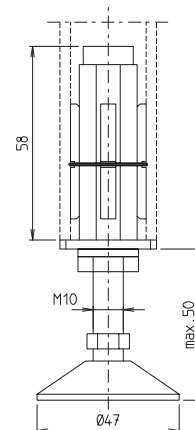
[mm]

Code No. DIN 912	Code No. DIN 7991	$\varnothing$ Type	$\square$ Type
90701	90711	25x2	–
90702	90712	30x2	25x1,5
90702	90712	32x3	–
90702	90712	35x3	–
90705	90715	40x4	30x2
90705	90715	42x4	–
90707	90717	48x4	35x2,5
90708	90718	–	40x3

# Accessories

## Order instruction:

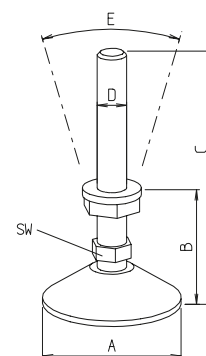
- Hinge parts PA, black
- Steel parts galvanized zinc-plated



## Adjustable feet with special tube fittings

[mm]

Code No.	Ø Type	□ Type
90601	25x2	–
90602	30x2	25x1,5
90602	32x3	–
90602	35x3	–
90605	40x4	30x2
90605	42x4	–
90607	48x4	35x2,5
90608	–	40x3



## Adjustable feet

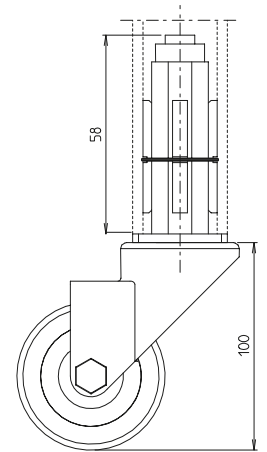
[mm]

Code No.	A	B	C	D	E	L	SW
90611	47	22	117	M10	30°	117	12
4606301	70	30	130	M16		130	22
4046301	60	39	185	M20	30°	185	16
4046311*	60	42	188			188	16
4046312*	123	70	216			216	16

\* with anti-vibration pat



- Rubber wheel, width 25 mm
- Ball bearing
- polyamide rim
- blue-grey rubber tyre
- thread guard
- load capacity 600 N



### Castors with special tube fittings and wheel brake

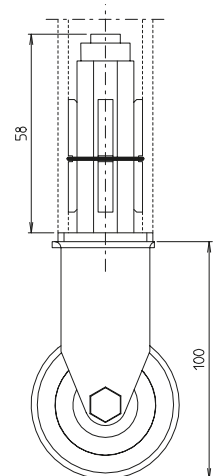
[mm]

Code No.	Ø Type	□ Type
90501	25x2	-
90502	30x2	25x1,5
90502	32x3	-
90502	35x3	-
90505	40x4	30x2
90505	42x4	-
90507	48x4	35x2,5
90508	-	40x3

Other versions up on request



- Rubber wheel, width 25 mm
- Ball bearing
- polyamide rim
- blue-grey rubber tyre
- thread guard
- load capacity 600 N



[mm]

### Fixed wheels with special tube fittings

Code No.	Ø Type	□ Type
90801	25x2	-
90802	30x2	25x1,5
90802	32x3	-
90802	35x3	-
90805	40x4	30x2
90805	42x4	-
90807	48x4	35x2,5
90808	-	40x





## ■ Instructions:

Regarding its dimensions and adjustability the lever is perfectly adapted to the RK clamp system.

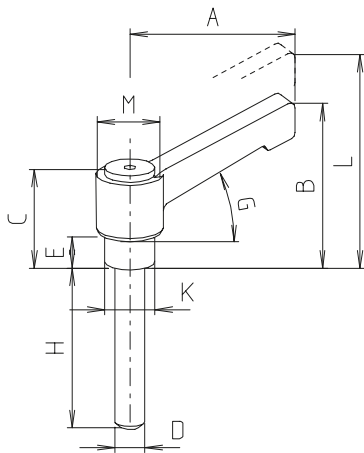
The handle must be lifted high enough to disengage allowing "confined space" tightening or loosening as desired. It relocks by means of spring pressure.

## ■ Materials:

Handle made of zinc pressure casting according to DIN 1743, steel parts quality class 5.8, galvanized.

## Clamping lever

[mm]



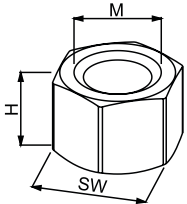
Code No.	Type	A	B	C	D	E	G	H	K	L	M	m [g]
90201	HV 5x20	40	33,5	25,5	M5	5,5	20°	20	7,5	37,5	13,5	32
90211	HV 6x10	40	33,5	26,5	M6	6,5	20°	10	10	37,5	13,5	30
90249	HV 6x20							20				-
90210	HV 6x16	40	33,5	26,5	M6	6,5	20°	16	10	37,5	13,5	-
90209	HV 6x18							18				-
90212	HV 6x25	40	33,5	26,5	M6	6,5	20°	25	10	37,5	13,5	34
90247	HV 6x30							30				-
90213	HV 6x35	40	33,5	26,5	M6	6,5	20°	35	10	37,5	13,5	38
90214	HV 6x40							40				40
90215	HV 6x45							45				65
90216	HV 6x55	65	43,2	29,2	M6	6,5	20°	55	10	47	18	75
90217	HV 6x60							60				80
90221	HV 8x15	65	45	31	M8	8,5	20°	15	13	49	18	68
90222	HV 8x25							25				72
90223	HV 8x30	65	45	31	M8	8,5	20°	30	13	49	18	75
90224	HV 8x35							35				80
90225	HV 8x45	65	45	31	M8	8,5	20°	45	13	49	18	86
90226	HV 8x50							50				91
90227	HV 8x55	80	53,5	36	M8	8,5	20°	55	13	57,5	22	100
90228	HV 8x60	65	45	31				60		49	18	
90229	HV 8x70							70				120
90230	HV 8x80	80	53,5	36	M8	8,5	20°	80	13	57,5	22	130
90231	HV 8x90							90				140
90241	HV 10x20	80	55	37,5	M10	10	20°	20	16	59	26	125
90250	HV 10x30					11		30				-
90251	HV 10x35	80	55	37,5	M10	11	20°	35	16	59	26	-
90242	HV 10x45					10		45				140
90243	HV 10x50	80	55	37,5	M10	10	20°	50	16	59	26	145
90244	HV 10x60	95	64	42,5	M10	10	20°	60	16	68	26	200
90246	HV 10x110							110				250
90255	HV 12x40							40				-
90253	HV 12x45	95	64	42,5	M12	13,5	20°	45	18	68	26	-
90256	HV 12x80							80				-
90271	HV 16x72	100	72	65	M16	19	20°	65	23	72	33	-

## Upon request:

- Hand levers with plastic handles
- Hand levers with stainless steel threaded fitting



- Steel thread insert (exchange piece)
- Delivery : packaging unit (10 pcs.)



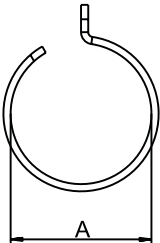
### Insert nut

[mm]

Code No.	Materials	Type	H	M	SW
90762	steel	M6SW8	5	6	8
90763	stainless steel	M6SW8			
90764	steel	M6SW10	9	6	10
90765	steel	M8SW11H12	12	8	11
90766	steel	M8SW11H7	7	8	11
90767	stainless steel	M8SW11H7			
90768	steel	M10SW14	10	10	14
90769	stainless steel	M10SW14			



- simple assembly
- axial and rotation locking
- retrofit at existing systems and structures possible



### Adapter sleeve R28

[mm]

Code No.	Type	Ø A
91313	Typ 1	28,4 - 28,8
91314	Typ 2	28,0 - 28,3
91315	Typ 3	27,5 - 27,9

Following Solid Clamps / Industrial-Design can be combined with adapter sleeves.

Solid Clamps	Type
Cross clamps	K 30, 30x25, 30x20, KD 30x18, 30x16, 30x15, 30x14, 30x12, KR 30, KVR 30
Angle clamps	W30, WE 30
Base clamps	FS 30
Flange clamps	FK 30, 30-4
Sleeve clamps	M 30, MD 30x25
Insert clamps	S 30