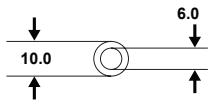

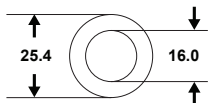

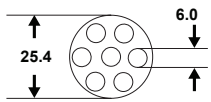

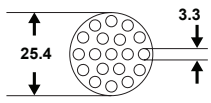

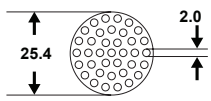
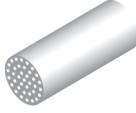
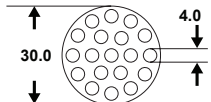
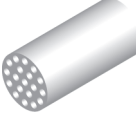


## SURVEY

### Technical data of *atech* Al<sub>2</sub>O<sub>3</sub>- membranes

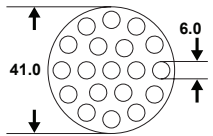
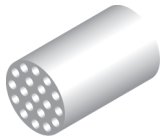
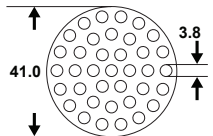
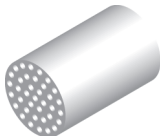
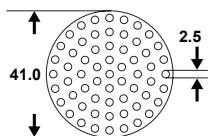
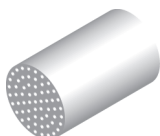
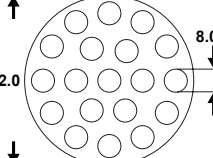
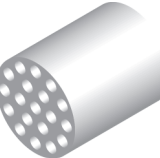
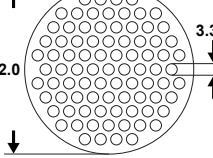
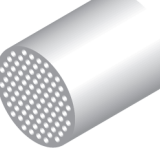
Support material	α- Al <sub>2</sub> O <sub>3</sub>	
Membrane material	MF: α- Al <sub>2</sub> O <sub>3</sub>	UF: TiO <sub>2</sub>
Mean pore diameter	1.2; 0.8; 0.4; 0.2; 0.1 μm	0.05 μm; 20 kD; 10 kD; 5 kD
Overall length	1000 and 1200 mm	
pH- stability	0 up to 14	
All membrane designs are suitable for steam sterilisation.		

Type	Geometry (mm)	Amount of channels	Length (mm)	Filter surface per element (m <sup>2</sup> )	Illustration (shortened)
1/6		1	1000	approx. 0.019	
			1200	approx. 0.023	
1/16		1	1000	approx. 0.05	
			1200	approx. 0.06	
7/6		7	1000	approx. 0.13	
			1200	approx. 0.16	
19/3.3		19	1000	approx. 0.20	
			1200	approx. 0.24	
37/2		37	1000	approx. 0.23	
			1200	approx. 0.28	
19/4		19	1000	approx. 0,24	
			1200	approx. 0,29	

## SURVEY

### Technical data of *atech* Al<sub>2</sub>O<sub>3</sub>- membranes

Support material	α- Al <sub>2</sub> O <sub>3</sub>	
Membrane material	MF: α- Al <sub>2</sub> O <sub>3</sub>	UF: TiO <sub>2</sub>
Mean pore diameter	1.2; 0.8; 0.4; 0.2; 0.1 μm	0.05 μm; 20 kD; 10 kD; 5 kD
Overall length	1000 and 1200 mm	
pH- stability	0 up to 14	
All membrane designs are suitable for steam sterilisation.		

Type	Geometry (mm)	Amount of channels	Length (mm)	Filter surface per element (m <sup>2</sup> )	Illustration (shortened)
19/6		19	1000	approx. 0.36	
			1200	approx. 0.43	
37/3.8		37	1000	approx. 0.44	
			1200	approx. 0.53	
61/2.5		61	1000	approx. 0.48	
			1200	approx. 0.58	
19/8		19	1000	approx. 0.48	
			1200	approx. 0.58	
85/3.3		85	1000	approx. 0.88	
			1200	approx. 1.06	