

EZL 25/2 B



short description

Single-phase AC fans, DN 250, air volume 2140 m³/h

Article number 0086.0070

Technical Data

Air flow volume	2,140 m³/h
Speed controllable	✓
Reversing capacity	—
Type of voltage	Alternating current
Rated voltage	230 V
Frequency	50 Hz
I _{max}	1.7 A
Installation site	Duct
Installation position	vertical, horizontal
Material	Sheet steel, galvanised
Weight	10.3 kg
Nominal size	250 mm
Airstream temperature at nominal current	60 °C
Airstream temperature at I _{Max}	60 °C
Range	C
EAN	4012799860709

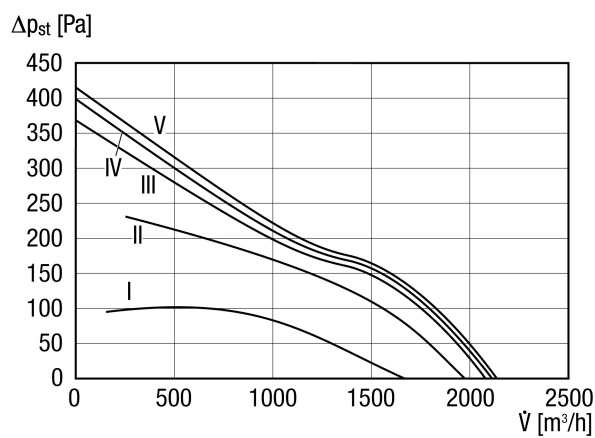
Technical data in energy efficiency optimum (Best Efficiency Point - BEP)

Total efficiency η	39.4 %
Measurement category	D
Efficiency category	total
Efficiency level N	50.5
VSD necessary	No
P _{BEP}	175 W
I _{BEP}	1 A
Air volume _{BEP}	1,485 m³/h
p _{BEP}	167 Pa
n _{BEP}	2,920 1/min

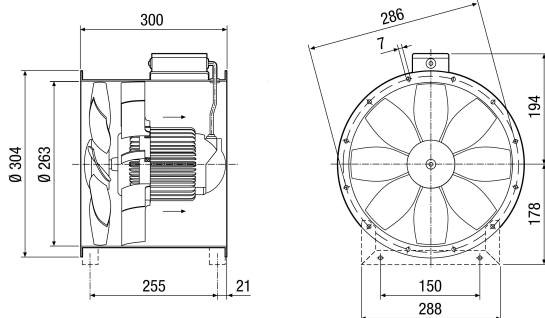
EZL 25/2 B

Sound power level L_{WA5}	77 dB(A)
Manufacturer's name	Maico Elektroapparate-Fabrik GmbH
Official registration number	Freiburg registration court, HRB 601233
Manufacturer's place of establishment	Villingen-Schwenningen
Information about dismantling and disposal	see mounting instructions
Information about installation, operation and repairs	see mounting instructions
Objects used to measure efficiency which are not described by the measurement category	-

Characteristic curve



Dimensions [mm]



Number of flange holes: 6