

IBC-Mixer-Sets

For Fluids with a viscosity up to 12000 mPas

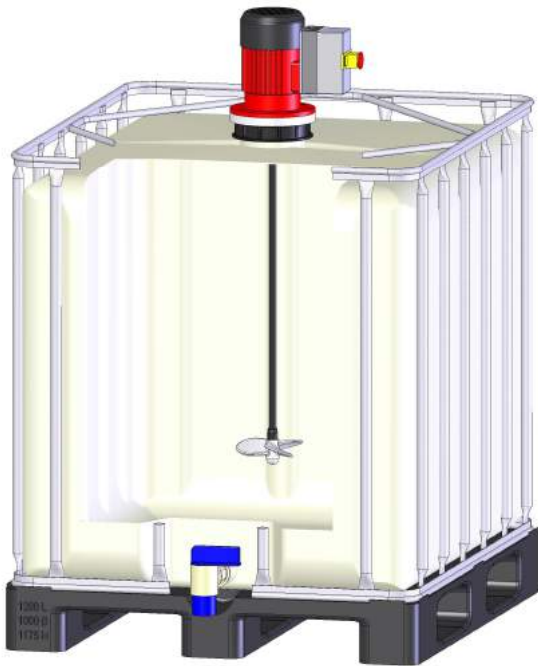


More than just pumps



IBC Mixer EHM 0.55/6-Mo

For viscosity up to approx. 1500 mPas



For viscosity up to approx. 1500 mPas

Art.-Nr. 10-P000001

Circulation rate

Circulation rate approx. 2,6 m³/ min. based on water

Weight

Assembly set Pos. 1 to 4 ~13kg

Individual components

1 Motor BG80

Rated output	0.55 kW
Power supply	3~ Phase, 50 Hz
Rated voltage	3x400 Volt
Current at rated voltage	approx. 1.8 Amp.
Degree of protection	IP 55, Isol.-class. F
Efficiency class	IE1, efficiency 67%
Rated speed	1000 rpm
Type	V1 - Flange-Ø 200 mm
Motor protection switch	IP55, with on/off switch
Emergency stop	for build up on motor switch
Connector cable	PUR-cable, 5m long
Connector Plug	CEE16 with phase changing switch

Art.-Nr. 10-P7190552

2 IBC - Cap

incl. radial shaft seal PTFE
IBC-Cap with Flange DN150

Art.-Nr. 10-P9010212

3 Mixer shaft EHM BG80 PE

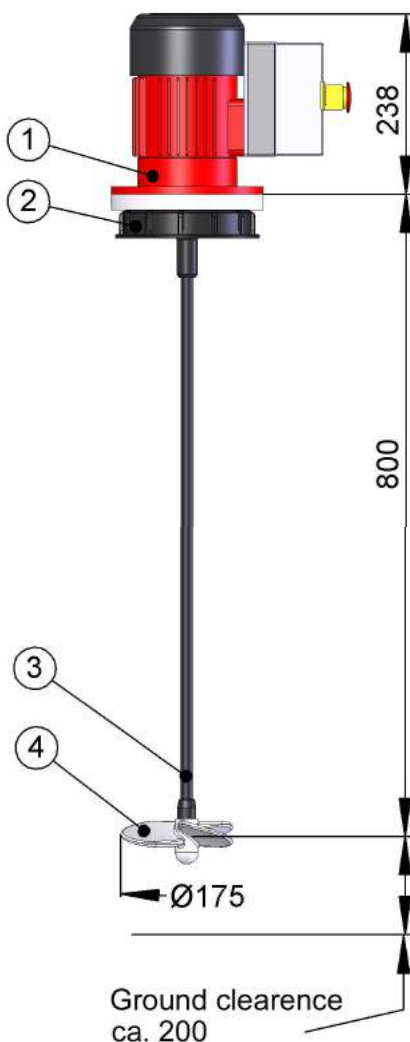
Mat: Steel / PE-coating
L 800

Art.-Nr. 10-P2190800

4 Mixer blade DRK 175

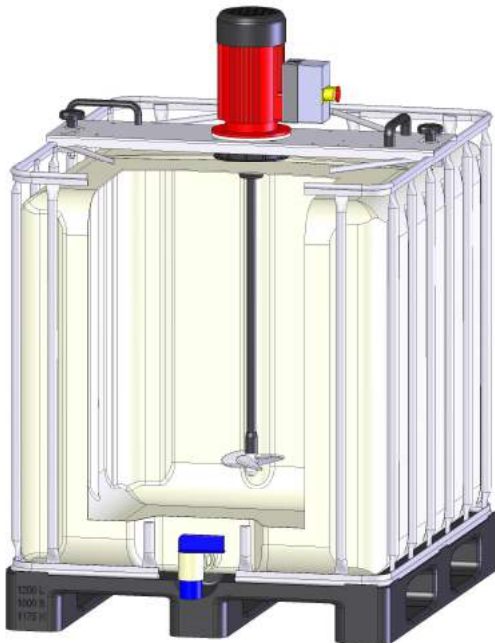
Ø175 / 3 blade
PP-GFV

Art.-Nr. 10-P6660175



IBC Mixer EHM 0.75/6-RT

For viscosity up to approx. 2000 mPas



For viscosity up to approx. 2000 mPas

Art.-Nr. 10-P0000003

Circulation rate

Circulation rate approx. 2,6 m³/ min. based on water

Weight

Assembly set Pos. 1 to 7

~31.5kg

Individual components

1 Motor BG90

Rated output	0.75 kW
Power supply	3~ Phase, 50 Hz
Rated voltage	3x400 Volt
Current at rated voltage	approx. 2.0 Amp.
Degree of protection	IP 55, Isol.-class. F
Efficiency class	IE3, efficiency 78.9%
Rated speed	1000 rpm
Type	V1 - Flange-Ø 200 mm
Motor protection switch (with on-/off-button)	on base plate on the side instead of terminal box
Connector cable	PUR, 5m long
Connector plug	CEE16, 400V/16A/3P+N+E with phase changing switch

Art.-Nr. 10-P7240752

2 Sealing flange EHM BG90

M58x2

Material: PP

Art.-Nr. 10-P9020694

2 Radial shaft seal BG90

Material: PTFE

Art.-Nr. 10-P9020090

3 Protective tube IBC M58x2

Length 110xØ63mm

Material: PE

Art.-Nr. 10-P0004690

4 Cap IBC DN150 protective tube

Material: PE

Art.-Nr. 10-P0004694

5 Mixer shaft EHM BG80 PE

Mat: Steel/ PE-coating

L 850

Art.-Nr. 10-P2240850

6 Mixer blade DRK 175

Ø175 / 3 blades

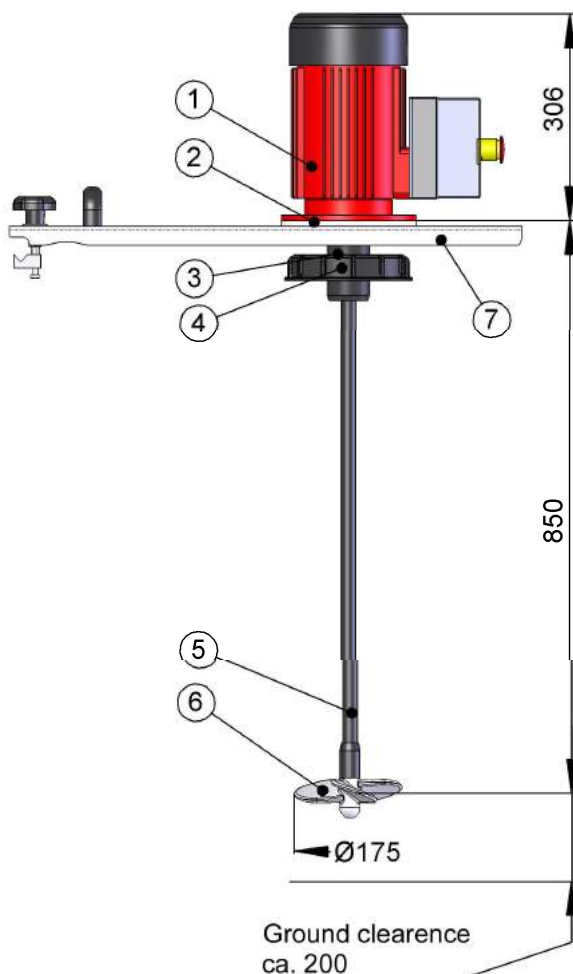
Material: PP-GFV

Art.-Nr. 10-P6660175

7 IBC – Traverse

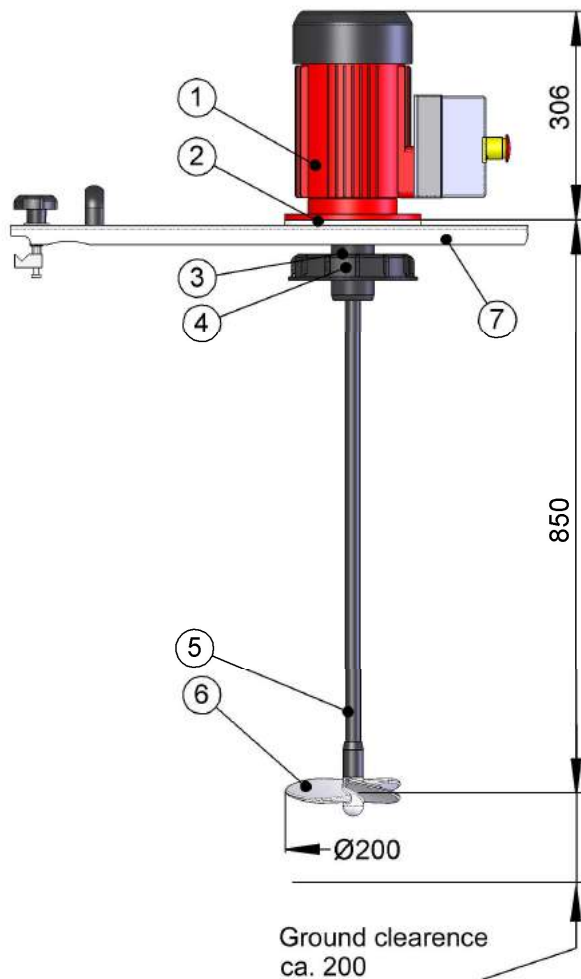
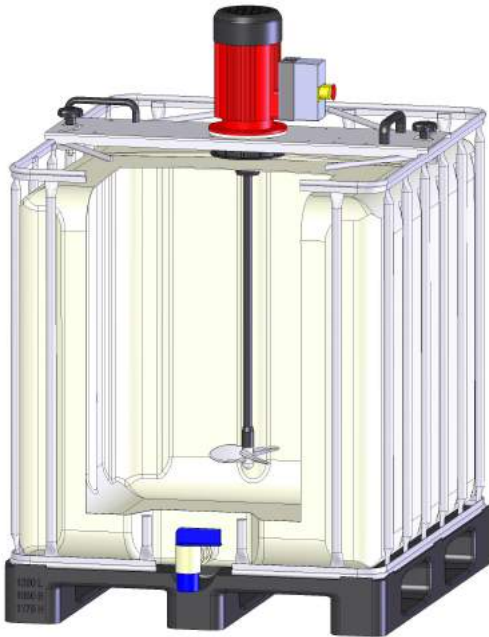
fully assembled

Art.-Nr. 10-P9010222



IBC Mixer EHM 1.1/6-RT

For viscosity up to approx. 2500 mPas



For viscosity up to approx. 2500 mPas

Art.-Nr. 10-P0000004

Circulation rate

Circulation rate approx. 3,8 m³/ min. based on water

Weight

Assembly set Pos. 1 to 7

~34kg

Individual components

1 Motor BG90

Rated output	1.1 kW
Power supply	3~ Phase, 50 Hz
Rated voltage	3x400 Volt
Current at rated voltage	approx. 2.7 Amp.
Degree of protection	IP 55, Isol.-class. F
Efficiency	IE3, efficiency 81%
Rated speed	1000 rpm
Type	V1 - Flange-Ø 200 mm
Motor protection switch (with on-/off-button)	on base plate on the side instead of terminal box
Connector cable	PUR, 5m long, 4x1,5mm ²
Connector plug	CEE16, 400V/16A/3P+N+E with phase changing switch

Art.-Nr. 10-P7241102

2 Sealing flange EHM BG90

M58x2
Material: PP

Art.-Nr. 10-P9020694

2 Radial shaft seal BG90

Material: PTFE

Art.-Nr. 10-P9020090

3 Protective tube IBC M58x2

Length 110xØ63mm
Material: PE

Art.-Nr. 10-P0004690

4 Cap IBC DN150 protective tube

Material: PE

Art.-Nr. 10-P0004694

5 Mixer shaft EHM BG80 PE

Mat: Steel/ PE-coating
L 850

Art.-Nr. 10-P2240850

6 Mixer blade DRK 200

Ø175 / 3 blades
Material: PP-GFV

Art.-Nr. 10-P6660200

7 IBC – Traverse

Fully assembled

Art.-Nr. 10-P9010222

IBC Mixer ESG 0.75/133-RT

For viscosity up to approx. 6000 mPas



For viscosity up to approx. 6000 mPas

Art.-Nr. 10-P000005

Weight

Assembly set Pos. 1 to 10 ~40kg

Individual components

1 Motor BG90

Rated output	0.75 kW (IE3)
Power supply	3~Phase, 50Hz 60Hz
Rated voltage	Δ230V, Y380-400V Y460-480V
Degree of protection	IP 55 (PTC-Sensor) / Isol.-class F
Current at rated voltage	Δ~3.50 A, Y~2.00 A Y~2.00 A
Rated speed	1000 rpm 1200 rpm

Art.-Nr. 10-P3240752

2 Gear ESG63

Gear ratio	i = 7
Gearbox speed	133 rpm
Torque	~40 Nm

Art.-Nr. 10-P5063007

3 Sealing flange ESG63 PP M58x2

with connecting thread M58x2

Art.-Nr. 10-P9020051

3 Radial shaft seal ESG63

Material: PTFE

Art.-Nr. 10-P9020003

4 Protective tube IBC M58x2

Material: PE Length 110mm

Art.-Nr. 10-P0004690

5 Cap IBC DN150 protective tube

Material: PE

Art.-Nr. 10-P0004694

6 Mixer shaft ESG63

Ø50x30 Material: Stainless steel 1.4435
L 900

Art.-Nr. 10-P0630903

7 Folding blade KLR3

Ø400/ 3 blades
Material: 1.4571 (Stainless steel)

Art.-Nr. 10-P6370407

8 IBC – Traverse

fully assembled
RT 1000

Art.-Nr. 10-P9010222

9 Motor protection switch

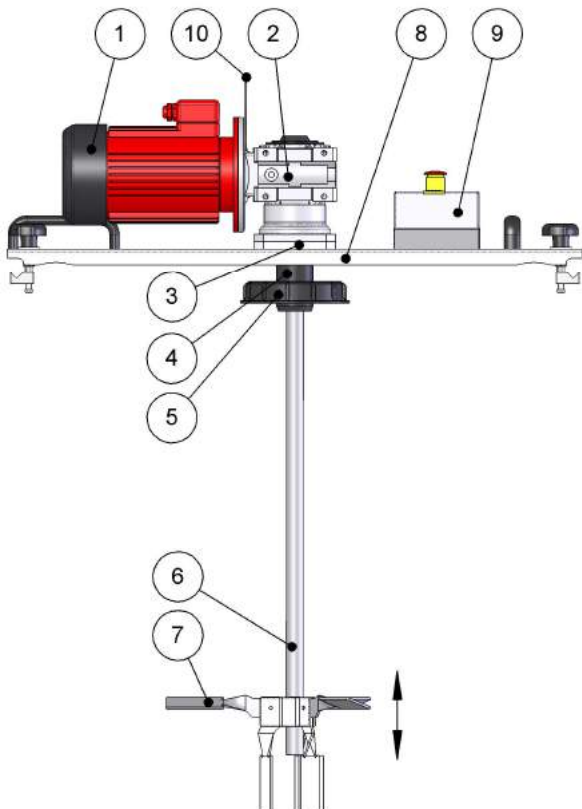
Motor protection switch with emergency stop button, 5m PUR-cable
4-core with CEE- plug assembled on traverse

Art.-Nr. 10-P9335051

10 IBC-Suspension lug

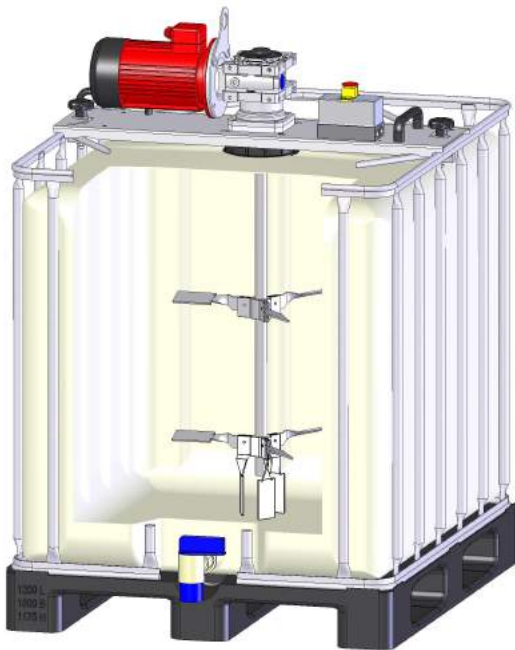
für Gear ESG 63

Art.-Nr. 10-P0004625



IBC Mixer ESG 1.5/70-RT

For viscosity up to approx. 12000 mPas



For viscosity up to approx. 12000 mPas

Art.-Nr. 10-P0000002

Weight

Assembly det Pos. 1 to 10 ~44kg

Individual components

1 Motor BG90

Rated output	1.5 kW (IE3)
Power supply	3~Phase, 50Hz 60Hz
Rated voltage	Δ230V, Y380-400V Y460-480V
Degree of protection	IP 55 (PTC-Sensor) / Isol.-class F
Current at rated voltage	Δ~5.80 A, Y~3.30 A Y~3.30 A
Rated speed	1500 rpm 1800 rpm

Art.-Nr. 10-P3241503

2 Gear ESG63

Gear ratio	i = 19
Gearbox speed	70 rpm
Torque	~150 Nm

Art.-Nr. 10-P5063020

3 Sealing flange ESG63 PP M58x2

with connecting thread M58x2 Art.-Nr. 10-P9020051

3 Radial shaft seal ESG63

Material: PTFE Art.-Nr. 10-P9020003

4 Protective tube IBC M58x2

Material: PE Length 110mm Art.-Nr. 10-P0004690

5 Cap IBC DN150 protective tube

Material: PE Art.-Nr. 10-P0004694

6 Mixer shaft ESG63

Ø50x30 Material: Stainless steel 1.4435
L 900 Art.-Nr. 10-P0630903

7 Folding blade KLR3

Ø400/ 3 blades Art.-Nr. 10-P6370407
Material: 1.4571 (Stainless steel)

8 IBC – Traverse

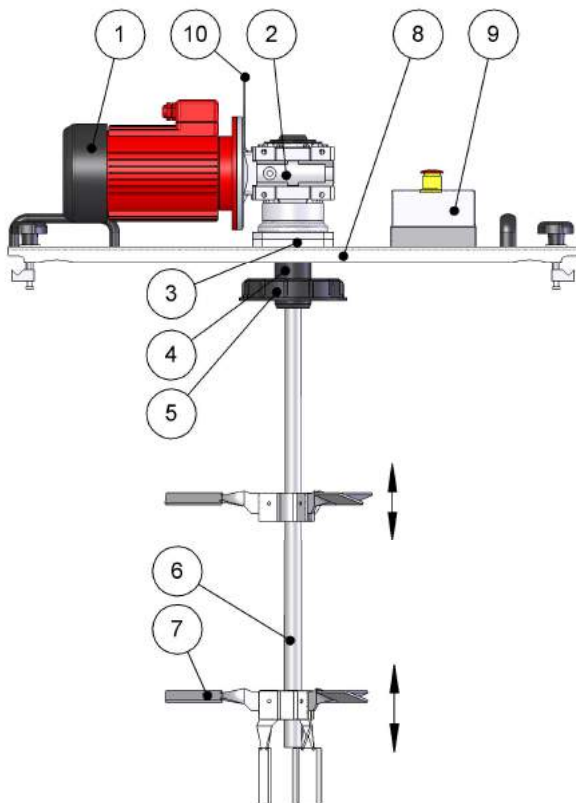
Fully assembled
RT 1000 Art.-Nr. 10-P9010222

9 Motor protection switch

Motor protection switch with emergency stop button,
5m PUR-cable 4-core with CEE- plug assembled on traverse
Art.-Nr. 10-P9335051

10 IBC-Suspension lug

for Gear ESG 63 Art.-Nr. 10-P0004625

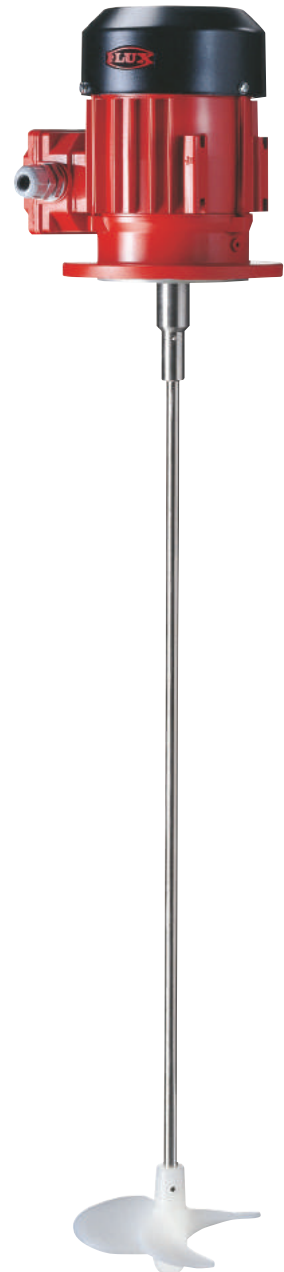


You need a mixer for a special application?
Contact us!

In addition to our standard mixer sets, we
offer a wide range of customized mixer
sets for your specific medium and
container.

Send your request to:
export@flux-pumpen.de

or call us at:
+49 7043-101 0





More than just pumps

Today the FLUX name is recognised around the globe as the trademark for top standards in pump technology. Everything started with the invention of the electric drum pump in 1950. Nowadays FLUX has an extensive range of products each of which can be customized. FLUX pumps are used for example in the chemical and pharmaceutical industries; in machinery and plant engineering as well as companies in electroplating, effluent treatment and the foodstuffs sector.

Whether single-product or system solution – FLUX quality is synonymous with a long service life, excellent economy and maximum safety.

In addition to the excellent product quality FLUX customers appreciate the superb level of expertise our staff has to offer as well as their genuine customer focus.

These days FLUX-GERÄTE GMBH supplies pumps to almost 100 countries around the globe.

