

## Levelling sets with locknut

### Item description/product images



### Description

**Material:**

Steel 1.7225.

Stainless steel 1.4305.

**Version:**

Seel version trivalent blue passivated.

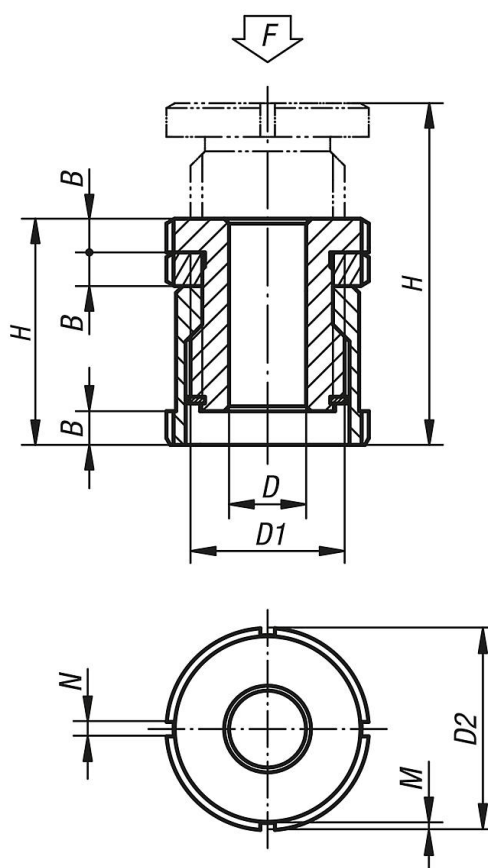
Stainless steel version bright.

**Note:**

Levelling sets are used for mounting, levelling and aligning motors, aggregates, drive units and assembly lines. The locknut secures a prescribed setting. Other sizes available on request.

The static additional load  $F_1$  is effective after deducting the tensioning force (screw 8.8,  $\mu_m = 0.125$ ) from the total load  $F$ .

### Drawings



## Levelling sets with locknut

### Overview of items

#### Levelling sets, with locknut

Order No.	Main material	D	for screw	D1	D2	H min.	H max.	B	N	M	F kN	F1 kN
B0200.01004	high carbon steel	4,5	M4	M15x1	25	33	43	5	4	2	40	36
B0200.01005	high carbon steel	5,5	M5	M15x1	25	33	43	5	4	2	40	33,4
B0200.01006	high carbon steel	6,6	M6	M15x1	25	33	43	5	4	2	40	30,7
B0200.01406	high carbon steel	6,6	M6	M20x1	32	41	55	6	4	2	65	55,7
B0200.01408	high carbon steel	9	M8	M20x1	32	41	55	6	4	2	65	48
B0200.01410	high carbon steel	11	M10	M20x1	32	41	55	6	4	2	65	37,9
B0200.01810	high carbon steel	11	M10	M30x1,5	45	49	67	7	5	2	120	92,9
B0200.01812	high carbon steel	13,5	M12	M30x1,5	45	49	67	7	5	2	120	80,4
B0200.01816	high carbon steel	17,5	M16	M30x1,5	45	49	67	7	5	2	120	45,5
B0200.02316	high carbon steel	17,5	M16	M40x1,5	58	63	86	9	6	2,5	210	136
B0200.02320	high carbon steel	22	M20	M40x1,5	58	63	86	9	6	2,5	210	90
B0200.02324	high carbon steel	26	M24	M40x1,5	58	63	86	9	6	2,5	210	37
B0200.02920	high carbon steel	22	M20	M50x1,5	70	77	106	11	6	2,5	330	210
B0200.02924	high carbon steel	26	M24	M50x1,5	70	77	106	11	6	2,5	330	157
B0200.02930	high carbon steel	33	M30	M50x1,5	70	77	106	11	6	2,5	330	53
B0200.010041	stainless steel	4,5	M4	M15x1	25	33	43	5	4	2	27,1	24,14
B0200.010051	stainless steel	5,5	M5	M15x1	25	33	43	5	4	2	27,1	22,24
B0200.010061	stainless steel	6,6	M6	M15x1	25	33	43	5	4	2	27,1	20,26
B0200.014061	stainless steel	6,6	M6	M20x1	32	41	55	6	4	2	43,4	36,56
B0200.014081	stainless steel	9	M8	M20x1	32	41	55	6	4	2	43,4	30,86
B0200.014101	stainless steel	11	M10	M20x1	32	41	55	6	4	2	43,4	23,41
B0200.018101	stainless steel	11	M10	M30x1,5	45	49	67	7	5	2	84	64,01
B0200.018121	stainless steel	13,5	M12	M30x1,5	45	49	67	7	5	2	84	54,82
B0200.018161	stainless steel	17,5	M16	M30x1,5	45	49	67	7	5	2	84	28,9
B0200.023161	stainless steel	17,5	M16	M40x1,5	58	63	86	9	6	2,5	148	92,9
B0200.023201	stainless steel	22	M20	M40x1,5	58	63	86	9	6	2,5	148	59,08
B0200.023241	stainless steel	26	M24	M40x1,5	58	63	86	9	6	2,5	148	20,3
B0200.029201	stainless steel	22	M20	M50x1,5	70	77	106	11	6	2,5	225	136,08
B0200.029241	stainless steel	26	M24	M50x1,5	70	77	106	11	6	2,5	225	97,3
B0200.029301	stainless steel	33	M30	M50x1,5	70	77	106	11	6	2,5	225	20,6