

## PROFIBUS-DP Slave Interface Modules

# proficonn<sup>®</sup>

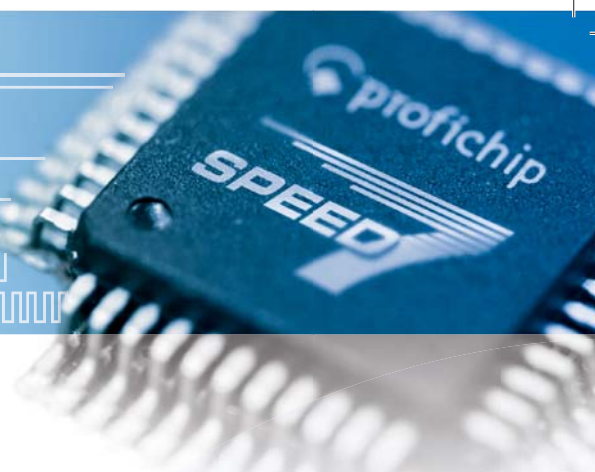
- SPI interface (up to 6 MBit/s)
- Isolated RS485 Interface up to 12 MBit/s
- Status LEDs for Power and DataExchange
- Vcc 3.3V
- Supporting PROFIBUS-DP-V0, DP-V1 and DP-V2
- 4kB communication RAM
- Software stack

### proficonn-DSUB

- With 9-pin DSUB-connector for direct enclosure mounting
- Flat cable connector for SPI communication and power supply
- Dimensions: 58 x 31 x 16 mm

### proficonn-DIP28

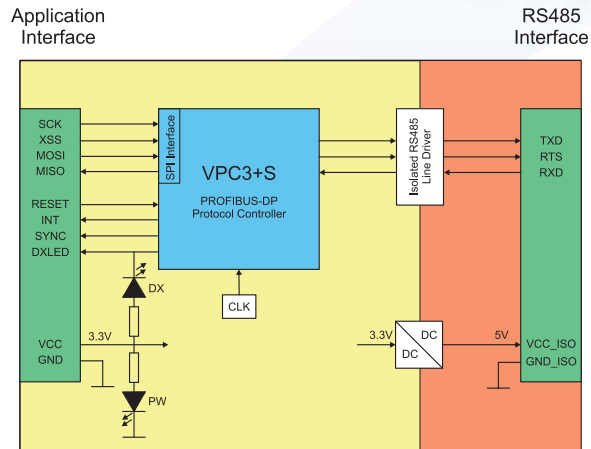
- 28 pin Dual-Inline-Package format
- for mounting on PCB via standard IC socket
- Dimensions: 36 x 18 x 10 mm



### Overview

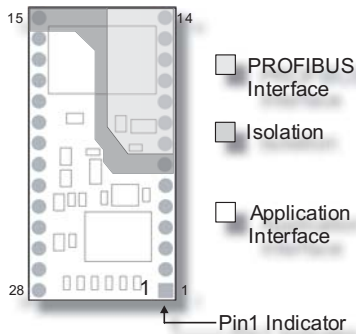
proficonn-DSUB and proficonn-DIP28 are very compact PROFIBUS-DP slave interface modules based on profichip's VPC3+S protocol ASIC. Both modules provide a complete, PROFIBUS approved RS485 interface including DC/DC converter and isolated line driver.

Efficient and signal saving communication with the customer application is accomplished by means of a serial SPI channel. For more details please refer to the VPC3+S User Manual.



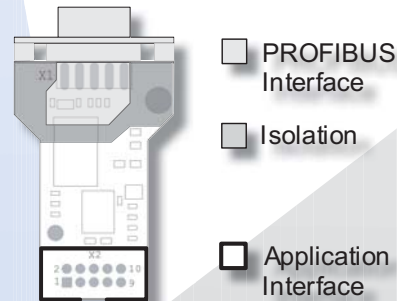
### proficonn DIP28

The proficonn-DIP28 module is based on a standard DIP28 footprint. The module can be mounted on the PCB directly or plugged into a standard IC socket.



### proficonn DSUB

The proficonn-DSUB module is suited for direct enclosure mounting via shielded 9-pin DSUB female connector (X1). A 10-pin 2.54 mm male socket (X2) is provided to connect to the device electronic via flat ribbon cable.



**profichip GmbH**  
Einsteinstr. 6  
D-91074 Herzogenaurach  
Germany  
Phone: +49 9132 744-2161  
Fax: +49 9132 744-2164  
E-Mail: [info@profichip.com](mailto:info@profichip.com)  
[www.profichip.com](http://www.profichip.com)

