

LED KITS INPLES



INPLES 100, 103, 106



INPLES 110, 111, 112, 113, 114, 115



AU-DLL316 Downlight



AU-DLL101 Downlight

BENEFITS

Replacing your existing low and mains voltage lamps (e.g. G/GU10 & M) with efficient high performance LEDs will

- Reduce the amount of electricity you use by up to 90%
- Increase the life of your lamps by not just months, but years
- Professional control units for 1 million operations available with or without emergency power supply
- Solution available for cabin light deactivation
- Lights available in various colours
- We guarantee that we will replace the colour light that you want for years
- Easy installation thanks to pre-fitted cable

TECHNICAL FEATURES

- Beam angle: 40°
- Service life: approx. 50,000 h
- Pre-fitted with approx. 1.5 m cable
- Lighting figures for various cabin sizes available upon request

Item No.	Description	Colour
909 0100 001	INPLES110 3W main LED lamp	Cool white
909 0100 002	INPLES112 3W main LED lamp	Warm white
909 0100 003	INPLES114 3W main LED lamp	Daylight white
909 0100 101	INPLES111 3W main and emergency LED lamp	Cool white
909 0100 102	INPLES113 3W main and emergency LED lamp	Warm white
909 0100 103	INPLES115 3W main and emergency LED lamp	Daylight white
Control unit for up to 6 main lamps, max. 20W, input 230V, 50/60 Hz, Output: 10.5V, 1.8A		
909 0100 901	INPLES100 control unit	
Control unit for up to 5 main lamps and an emergency lamp (emergency power supply), max. 20W, input 230V, 50/60 Hz, output: 10.5V, 1.8A, emergency power supply battery can be changed		
909 0100 910	INPLES103 control unit, 3 h battery life	
909 0100 911	INPLES106 control unit, 6 h battery life	
All-in-one installation sets		
INPLES – KIT4 – together with control unit		
909 0110 001	4x main lamps	Cool white
909 0110 002	4x main lamps	Warm white
909 0110 003	4x main lamps	Daylight white
With emergency power supply, 3 h battery life		
909 0110 201	3x main lamps & 1x emergency lamp	Cool white
909 0110 202	3x main lamps & 1x emergency lamp	Warm white
909 0110 203	3x main lamps & 1x emergency lamp	Daylight white
With emergency power supply, 6 h battery life		
909 0110 301	3x main lamps & 1x emergency lamp	Cool white
909 0110 302	3x main lamps & 1x emergency lamp	Warm white
909 0110 303	3x main lamps & 1x emergency lamp	Daylight white
INPLES – KIT6 – together with control unit		
909 0130 001	6x main lamps	Cool white
909 0130 002	6x main lamps	Warm white
909 0130 003	6x main lamps	Daylight white
With emergency power supply, 3 h battery life		
909 0130 201	5x main lamps & 1x emergency lamp	Cool white
909 0130 202	5x main lamps & 1x emergency lamp	Warm white
909 0130 203	5x main lamps & 1x emergency lamp	Daylight white
With emergency power supply, 6 h battery life		
909 0130 301	5x main lamps & 1x emergency lamp	Cool white
909 0130 302	5x main lamps & 1x emergency lamp	Warm white
909 0130 303	5x main lamps & 1x emergency lamp	Daylight white
(Other designs available upon request)		

Downlights

Item No.	Description	Colour
909 8010 101	Model: AU-DLL 101, 65 mm cut out	gun metal
909 8010 102		polished chrome
909 8020 101	Model: AU-DLL 316, 70 mm cut out	gun metal
909 8020 102		polished chrome



BENEFITS

Replacing your existing low and mains voltage lamps (e.g. G/GU10 & M) with efficient high-performance LEDs will

- reduce the amount of electricity you use by up to 90%
- increase the life of your lamps by not just months, but years
- Professional control units for 1 million operations available with or without emergency power supply
- Solution available for cabin light deactivation
- Otherwise visible LEDs are concealed with a ball-shaped diffuser
- We guarantee that we will replace the colour lights that you want for years
- Easy installation thanks to pre-fitted cable

TECHNICAL FEATURES

- Output: 3 W
- Beam angle: 180°
- Service life: approx. 50,000 h
- Colour: Daylight white
- External diameter: 50 mm
- Pre-fitted with approx. 1.5 m cable
- Lighting figures for various cabin sizes available upon request

With its unique visual form, the MOONLIGHT LED spotlight is an ideal addition to our INPLES range of LEDs. A ball-shaped diffuser distributes the light emitted by the LED over a beam angle of 180°.

Item No.	Description	Colour
909 0107 003	INPLES134 3W main LED lamp	Daylight white
909 0107 103	INPLES135 3W main and emergency LED lamp	Daylight white

Control unit for up to 6 main lamps, max. 20W, input 230V, 50/60 Hz, output: 10.5V, 1.8A

Item No.	Description
909 0100 901	INPLES100 control unit

Control unit for up to 5 main lamps and an emergency lamp (emergency power supply), max. 20W, input 230V, 50/60 Hz, output: 10.5V, 1.8A, emergency power supply battery can be changed

Item No.	Description
909 0100 910	INPLES103 control unit, 3 h battery life
909 0100 911	INPLES106 control unit, 6 h battery life

AU-DLL 101 downlight, 65 mm cut out

Item No.	Colour
909 8010 101	gun metal
909 8010 102	polished chrome

AU-DLL 316 downlight, 70 mm cut out

Item No.	Colour
909 8010 101	gun metal
909 8010 102	polished chrome

Do you have questions about our products?
We're happy to help.
Phone: +49 (0) 71 34-34 38

LED HOUSING INPLES



4 LED lamps pre-assembled in stainless steel housing



Bottom without mounting frame



Bottom with mounting frame



LED lamp behind glass

BENEFITS

Replacing your existing low and mains voltage lamps (e.g. G/GU10 & M) with efficient high-performance LEDs pre-installed in stainless steel casings will

- reduce the amount of electricity you use by up to 90%
- increase the life of your lamps by not just months, but years
- Control units available with or without emergency power supply
- Solution available for cabin light deactivation
- Quick and easy installation with cavity anchor fixings
- Existing lamp openings are covered up
- Lights available in various colours
- Tailored dimensions available upon request

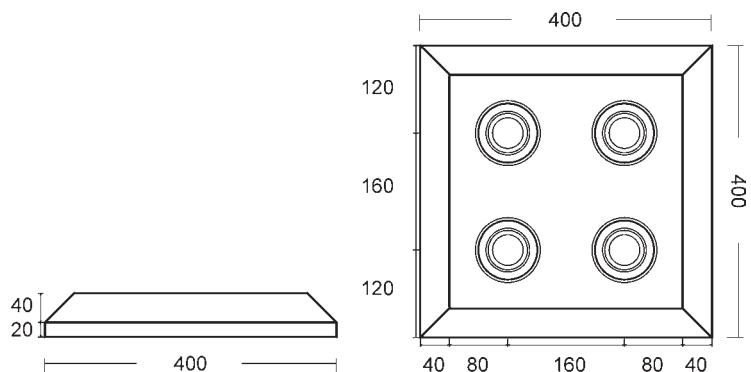
TECHNICAL FEATURES

- Beam angle: 40°
- Service life: approx. 50,000 h
- Pre-fitted with approx. 1.5 m cable
- Optional: calliper to spread the cavity fixing rawplug, Item No. 909 8100 001
- Lighting figures for various cabin sizes available upon request



All-in-one installation solutions

Item No.	Description	Colour	
INPLES – stainless steel housing – KIT4 – together with control unit, max. 20W, input 230V, 50/60 Hz, output: 10.5V, 1.8A			
Version 1			
909 0111 001	INPLES 110/100	4x main lamps	Cool white
909 0111 002	INPLES 112/100	4x main lamps	Warm white
909 0111 003	INPLES 114/100	4x main lamps	Daylight white
Version 2 With emergency power supply, 3 h battery life			
909 0111 201	INPLES 111/103	3x main lamps & 1x emergency lamp	Cool white
909 0111 202	INPLES 113/103	3x main lamps & 1x emergency lamp	Warm white
909 0111 203	INPLES 115/103	3x main lamps & 1x emergency lamp	Daylight white
With emergency power supply, 6 h battery life			
909 0111 301	INPLES 111/106	3x main lamps & 1x emergency lamp	Cool white
909 0111 302	INPLES 113/106	3x main lamps & 1x emergency lamp	Warm white
909 0111 303	INPLES 115/106	3x main lamps & 1x emergency lamp	Daylight white





MR 16



MR 11 and GU 10 upon request

BENEFITS

- The LED lamp can easily be used in conjunction with a stabilising power supply to replace common G&M halogen lamps
- Different beam angles available (30° or 60°)
- Colours: cool white, warm white, daylight white, normal white
- Service life: approx. 50,000 h
- Optional with booster dimmable
- Integrated chip allows operation between 12 V and 24 V

TECHNICAL FEATURES

- LED lamp d=50 mm, MR 16, 3.8 W
- Installation depth: 47.5 mm (incl. socket)
- Socket: GU 5.3
- Low heat production
- Stable metal housing
- Input: AC 12/DC 12/24
- Improves energy efficiency by approx. 85%
- Lighting figures for various cabin sizes available upon request

Item No.	Colour	Beam angle
909 0210 601	Cool white	60°
909 0210 602	Warm white	60°
909 0210 603	Daylight white	60°
909 0210 604	Normal white	60°

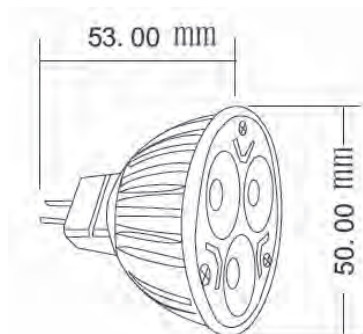
(30° beam angle upon request)

Accessories/power supplies

Item No.	Description
909 8020 121	stabilising, 20 W, 12 V
909 8040 121	stabilising, 40 W, 12 V

(Other power supplies upon request)

LED SPOTS Economy Line

**BENEFITS**

- The LED lamp can easily be used in conjunction with a stabilising power supply to replace common G&M halogen lamps
- Different beam angles available (30° or 60°)
- Colours: cool white, warm white, daylight white
- Service life: approx. 40.000 h

TECHNICAL FEATURES

- LED lamp d = 50 mm, MR 16, 3 W
- Socket GU 5.3
- Low heat production
- Stable aluminium housing
- Input: AC 12/DC 12
- Installation depth: 53 mm
- Lighting figures for various cabin sizes available upon request

Item No.	Colour	Beam angle
909 0215 601	Cool white	60°
909 0215 602	Warm white	60°
909 0215 603	Daylight white	60°

(30° beam angle upon request)

Accessories/power supplies

Item No.	Description
909 8020 121	stabilising, 20 W, 12 V
909 8040 121	stabilising, 40 W, 12 V

(Other power supplies upon request)



Adjustable up to a board thickness of 40 mm



Alternative fixing with hexagonal screws



BENEFITS

- Vandal-proof LED spotlights to prevent intentional damage
- Easy installation
- Service life: approx. 50,000 hours
- 6W consumption per light (3W version and 90° beam angle also available)
- Vibration-resistant
- Moderate heat production
- Optional LED power supply for emergency lighting also available
- Surface available in 2 colours: stainless steel or aluminium
- Includes fixings

TECHNICAL FEATURES

- Output: 6 W (3 LEDs at 2W each)
- Beam angle: 45°
- Operation: 10-30V DC or 220V AC
- External diameter: 100 mm
- Installation depth: 52 mm
- Cut out: 55 - 70 mm

Fixed from the top of the cabin ceiling using two screws fixed to the lamp body with a frame. Can also be fixed using two visible hexagonal screws, which can be screwed in from below. Lighting figures for various cabin sizes available upon request

45° beam angle - 6 W - version without visible screws, colour: Cool white

Item No.	Voltage	Colour cover frame
909 0221 456	10-30 V DC	aluminium look
909 0222 456	10-30 V DC	stainless steel look
909 0225 456	220 V AC	aluminium look
909 0226 456	220 V AC	stainless steel look

45° beam angle - 6 W - version with visible hexagonal screws, colour: Cool white

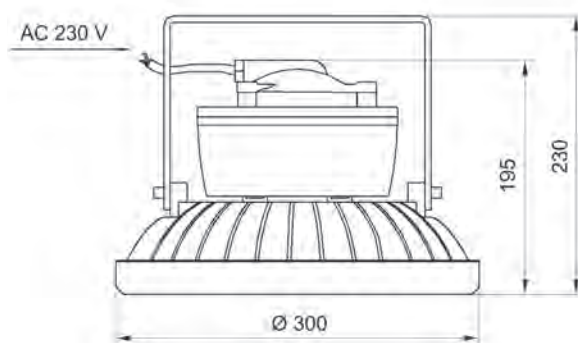
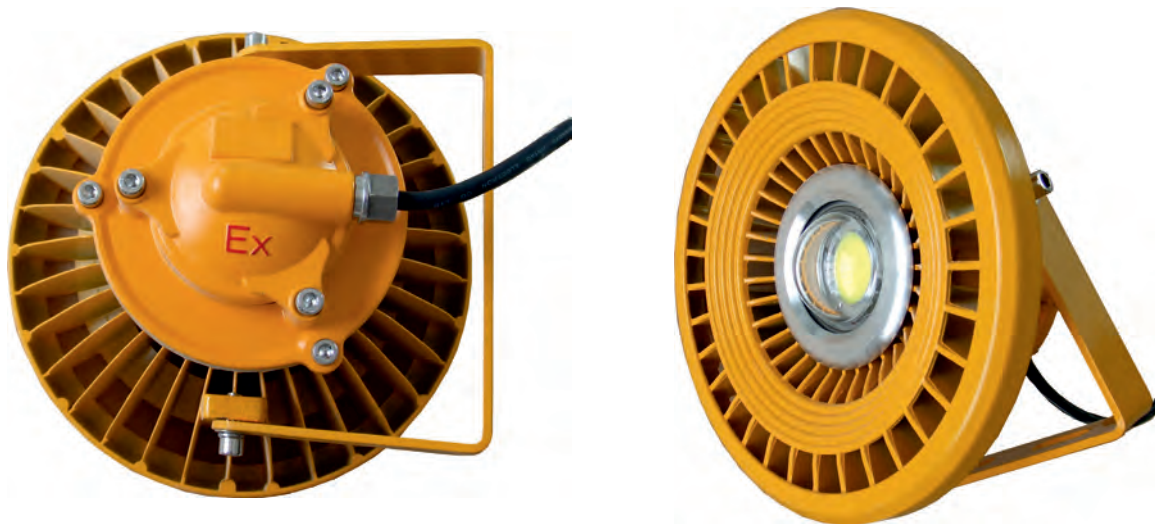
Item No.	Voltage	Colour cover frame
909 0231 456	10-30 V DC	aluminium look
909 0232 456	10-30 V DC	stainless steel look
909 0235 456	220 V AC	aluminium look
909 0236 456	220 V AC	stainless steel look

Accessories/power supplies

Item No.	Description
909 8020 121	stabilising, 20 W, 12 V
909 8040 121	stabilising, 40 W, 12 V
909 8020 125	stabilising, 20 W, 12 V, emergency power supply for max. 2 lamps

(Other power supplies upon request)

Do you have questions about our products?
We're happy to help.
Phone: +49 (0) 71 34-34 38



TECHNICAL FEATURES

- Model: MF-150-01-30 W
- Input: AC 85 ~ 265 V
- Output: DC 24 V
- Power: 30 W
- Lumen: $\geq 2,700$ lm
- Colour: 2700 - 7,000 K
- Beam angle: $60^\circ \sim 160^\circ$ (depending on the lens)
- Protection class: IP 67
- Service life: approx. 50,000 h
- Power supply: integrated

Catalogue number	Description
909 0250 001	MF-150-01-30W, explosion-proof LED light



Do you have questions about our products?
We're happy to help.

Phone: +49 (0) 71 34-34 38

LED EMERGENCY LAMP



The system is made up of two separate elements: an emergency light power supply and a high-quality LED emergency light. This makes it possible to retrofit an emergency light in an existing elevator cabin.

The LED emergency light is made of polycarbonate and has an almost unlimited service life. It contains a 1.5 m two-pole cable for connection to the mains or a 6V DC battery. The LED emergency light can be installed in a panel or existing ceiling or wall light and left visible or concealed.

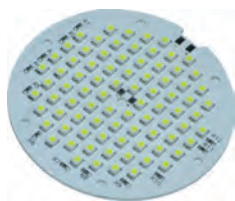
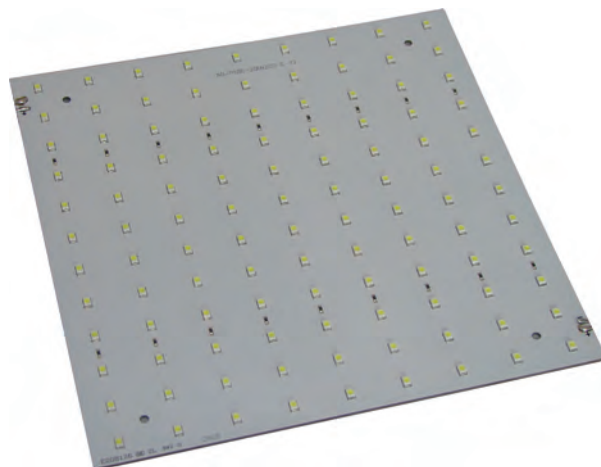
Item No.	Model	Luminous flux (lm)	Dimensions
909 0105 101	AB26	80-60	55x35x15 mm

In the event of a power cut, the emergency light mains connection monitors whether the elevator cabin is in stand-by mode and then decides whether or not to turn on the emergency light. During normal operation, the high-quality Ni-Cd battery charges off the mains and lasts for 3 or 6 hours, depending on the version, if there is a power cut. The mains connection is normally installed in the roof of the elevator cabin. Dimensions 50x75x125 mm, Weight: 0.30 kg.

Item No.	Model	Life in emergency mode
909 0100 920	BLUME 836/11 with AB26	3 h
909 0100 925	BLUME 836/12 without AB26	3 h
909 0100 930	BLUME 836/21 with AB26	6 h
909 0100 935	BLUME 836/22 without AB26	6 h
909 0100 990	AB3 connection/extension cable for BLUME	

Do you have questions about our products?
We're happy to help.
Phone: +49 (0) 71 34-34 38

LED LIGHT MATTINGS SQUARE



Round light mats available upon request!

BENEFITS

- The light matting squares are prefabricated on a suitable backing material
- The backing material is also used for cooling purposes
- Different light fields can be realised
- Multiple lighting mats can be joined together
- Optional LED power supplies available
- Colours: cool white, normal white, daylight white, warm white
- Lighting figures for various cabin sizes available upon request

Item No.	Dimensions	Operation	Luminous flux (lm)	Colour
909 0320 001	200 x 200 mm	11 Watt – 24 V	648	Cool white
909 0320 002	200 x 200 mm	11 Watt – 24 V	648	Warm white
909 0320 003	200 x 200 mm	11 Watt – 24 V	648	Daylight white
909 0320 004	200 x 200 mm	11 Watt – 24 V	648	Normal white
909 0330 001	292 x 292 mm	14,4 Watt – 24 V	930	Cool white
909 0330 002	292 x 292 mm	14,4 Watt – 24 V	930	Warm white
909 0330 003	292 x 292 mm	14,4 Watt – 24 V	930	Daylight white
909 0330 004	292 x 292 mm	14,4 Watt – 24 V	930	Normal white
909 0345 321	450 x 450 mm	32 Watt – 24 V	2400	Cool white
909 0345 322	450 x 450 mm	32 Watt – 24 V	2400	Warm white
909 0345 323	450 x 450 mm	32 Watt – 24 V	2400	Daylight white
909 0345 324	450 x 450 mm	32 Watt – 24 V	2400	Normal white
909 0345 391	450 x 450 mm	39 Watt – 24 V	2800	Cool white
909 0345 392	450 x 450 mm	39 Watt – 24 V	2800	Warm white
909 0345 393	450 x 450 mm	39 Watt – 24 V	2800	Daylight white
909 0345 394	450 x 450 mm	39 Watt – 24 V	2800	Normal white



Do you have questions about our products?
We're happy to help.
Phone: +49 (0) 71 34-34 38

LED TUBES



BENEFITS

- T8 and T5 formats available
- Low power consumption
- Service life of approx. 30,000 hours
- High light output
- No poisonous or environmentally unfriendly gases, such as mercury vapour
- Tailored dimensions and dimmable LED tubes available upon request

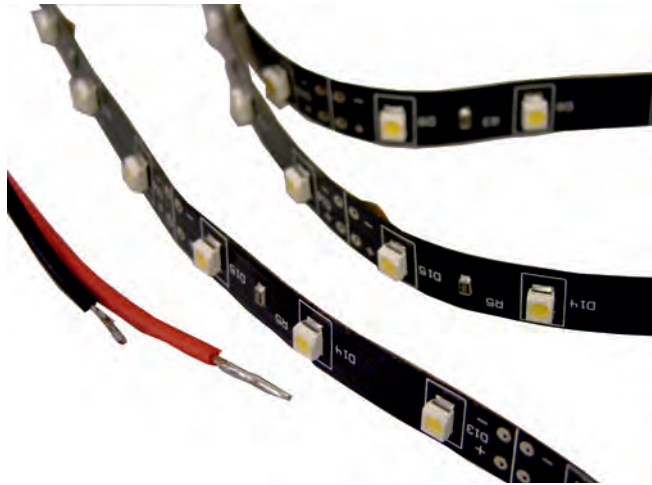
TECHNICAL FEATURES

- Format/socket: T8 / G13 - the same as standard fluorescent lamps
- T5 tubes solely available with holder
- Two rows of lights, including clear or frosted glass KS diffuser
- Beam angle: 110° - 134°
- Voltage: 110/220V - no transformer needed
- Low heat dissipation
- CE and RoHS compliant
- WARNING: Remove the power supply unit, starter, coils and resistors from the lamp holder before having a qualified technician swap the old tube out for the LED tube
- Lighting figures for various cabin sizes available upon request

Item No.	Dimensions (T8)	Operation	Luminous flux (lm)	Colour
909 0406 0811	600 x 26 mm	8W, 165/265V	950	Cool white
909 0406 0812		8W, 165/265V	750	Warm white
909 0406 0813		8W, 165/265V	850	Daylight white
909 0409 0811	900 x 26 mm	12W, 165/265V	1350	Cool white
909 0409 0812		12W, 165/265V	1050	Warm white
909 0409 0813		12W, 165/265V	1200	Daylight white
909 0412 0811	1200x26 mm	15W, 165/265V	1800	Cool white
909 0412 0812		15W, 165/265V	1400	Warm white
909 0412 0813		15W, 165/265V	1600	Daylight white
909 0415 0811	1,500x26 mm	18W, 165/220V	2100	Cool white
909 0415 0812		18W, 165/220V	1750	Warm white
909 0415 0813		18W, 165/220V	1950	Daylight white
909 0418 0811	1800x26 mm	22W, 165/220V	2750	Cool white
909 0418 0812		22W, 165/220V	2400	Warm white
909 0418 0813		22W, 165/220V	2600	Daylight white

Do you have questions about our products?
We're happy to help.
Phone: +49 (0) 71 34-34 38

LED FLEXIBLE LIGHTBARS self-adhesive

**BENEFITS**

- The flexband's generous copper conductors absorb and conduct heat away from the components brilliantly
- With a width of just 8 mm, this band is perfectly suited for use in tight spaces, such as escalators, cabin walls and shadow gaps
- The high quality 3M adhesive gives the strip a firm hold to the surface. The minimum recommended bending radius is 2 cm
- Cost efficiency: can be used to light every last centimetre of the area you want as the strips can be split every 5cm or after every 3 LEDs. Plus and minus pads are repeated on each section, allowing you to make changes later and reuse unused sections!
- Waterproof
- Low power consumption
- Long service life: approx. 35,000 h

TECHNICAL FEATURES (STANDARD)

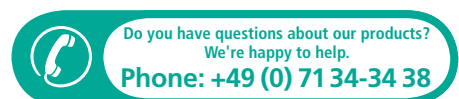
- 5m single strip
- Power consumption of 5m strip: 1.4A
- Min. bending radius: 2cm
- Sections: every 5cm (3 LEDs)
- Solder pads on every section
- Fixing: 3M adhesive strip
- Also available as RGB
- Can be tailored (e.g. corner solutions) upon request
- Optional LED power supplies available

USE

The LED strip can be used for a wide range of applications in

- escalator lighting
- indirect or direct design lighting for elevator cabins
- mood lighting
- safety/warning lights
- and many other areas

Beam angle: 120°
 Width: 8mm
 Colours: cool white, daylight white, normal white, warm white
 Operation: Input AC 100-240 V / Output 12 V DC – 5A
 Cable: optional
 Item No.: 909 05XX XX1



LED PROFILES



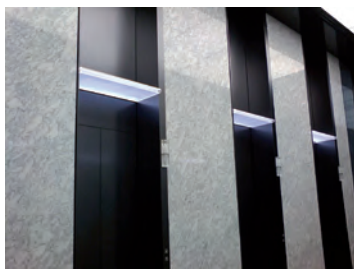
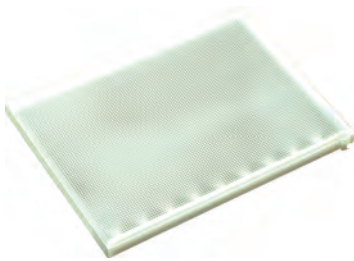
BENEFITS

- Flexible installation
- 3 standard sizes available
- Optional LED power supplies available
- Colours: cool white, normal white, daylight white, warm white
- Also available in IP 67
- Multiple light profiles can be joined together
- Every light strip comes with a connection cable (300 mm long as standard) including suitable connector and attachment set for wall and ceiling installation
- Lighting figures for various cabin sizes available upon request

Item No.	Dimensions	Operation	Luminous flux (lm)	Colour
909 0602 501	250 x 32 x 15 mm	4 Watt – 24 V	315	Cool white
909 0602 502	250 x 32 x 15 mm	4 Watt – 24 V	280	Warm white
909 0602 503	250 x 32 x 15 mm	4 Watt – 24 V	315	Daylight white
909 0602 504	250 x 32 x 15 mm	4 Watt – 24 V	315	Normal white
909 0605 001	500 x 32 x 15 mm	8 Watt – 24 V	630	Cool white
909 0605 002	500 x 32 x 15 mm	8 Watt – 24 V	560	Warm white
909 0605 003	500 x 32 x 15 mm	8 Watt – 24 V	630	Daylight white
909 0605 004	500 x 32 x 15 mm	8 Watt – 24 V	630	Normal white
909 0610 001	1000 x 32 x 15 mm	16 Watt – 24 V	1260	Cool white
909 0610 002	1000 x 32 x 15 mm	16 Watt – 24 V	1134	Warm white
909 0610 003	1000 x 32 x 15 mm	16 Watt – 24 V	1260	Daylight white
909 0610 004	1000 x 32 x 15 mm	16 Watt – 24 V	1260	Normal white
909 0699 100	Extension cable 1,000 mm			
909 0699 200	Wall and ceiling holder set for light profiles			
909 0699 300	SpecLin 14 W plug-in power supply , 12 V, including connection cable with connector, 300 mm lg.			

Do you have questions about our products?
We're happy to help.
Phone: +49 (0) 71 34-34 38

LED ACRYLIC GLASS PLATES



BENEFITS

- The LEDs installed around the edges light the acrylic glass plate from the side, providing a homogeneous light field with a grid structure
- The acrylic glass is easy to maintain, durable and produces very little heat. Easy to fit by using adhesive materials or screws
- The plate is suitable for both direct and indirect lighting
- The LEDs are powered with a low power 12V DC supply, but can also use 24V DC or 48V DC upon request
- The light plate can be provided in a dust and water-proof design (IP67 and IP68 standard)
- For optimal lighting, the plate is fitted with LEDs on 1, 2, 3 or 4 sides, depending on its size. The panel comes in a range of standard dimensions. Tailor-made solutions can be supplied upon request
- Emergency light (e.g. only one side lit) and dimming also possible

TECHNICAL FEATURES

- Despite being only 8mm thick, the acrylic glass is extremely stable and allows for a huge range of designs.
- The LED light acrylic glass plate is available in two colours and any size between 60x152 mm and 1,500x3,000 mm
- Special couplings can be used to connect 2, 4 or 6 elements together.
- Lumen values, the number of LEDs and power consumption (Watts) vary depending on the size of the plate (calculation formula available upon request)
- Lighting figures for various cabin sizes available upon request

Item No.	Dimensions	Operation	Colour
909 0708 101	300 x 300 x 8 mm, S4	12V, 3A	Cool white
909 0708 102	300 x 300 x 8 mm, S4	12V, 3A	Warm white
909 0708 151	500 x 500 x 8 mm, S4	2V, 3A	Cool white
909 0708 152	500 x 500 x 8 mm, S4	12V, 3A	Warm white
909 0708 201	600 x 300 x 8 mm, S4	12V, 3A	Cool white
909 0708 202	600 x 300 x 8 mm, S4	12V, 3A	Warm white
909 0708 251	600 x 600 x 8 mm, S4	12V, 3A	Cool white
909 0708 252	600 x 600 x 8 mm, S4	12V, 3A	Warm white
909 0708 301	1000 x 500 x 8 mm, S4	12V, 5A	Cool white
909 0708 302	1000 x 500 x 8 mm, S4	12V, 5A	Warm white
909 0708 351	1100 x 950 x 8 mm, S4	12V, 2x3A	Cool white
909 0708 352	1100 x 950 x 8 mm, S4	12V, 2x3A	Warm white
909 0708 401	1200 x 600 x 8 mm, S4	12V, 5A	Cool white
909 0708 402	1200 x 600 x 8 mm, S4	12V, 5A	Warm white
909 0708 451	1500 x 1300 x 8 mm, S4	12V, 2x5A	Cool white
909 0708 452	1500 x 1300 x 8 mm, S4	12V, 2x5A	Warm white
909 0708 501	1600 x 1350 x 8 mm, S4	12V, 2x5A	Cool white
909 0708 502	1600 x 1350 x 8 mm, S4	12V, 2x5A	Warm white
909 0708 551	1800 x 600 x 8 mm, S4	12V, 2x5A	Cool white
909 0708 552	1800 x 600 x 8 mm, S4	12V, 2x5A	Warm white
909 0708 601	2000 x 500 x 8 mm, S4	12V, 2x5A	Cool white
909 0708 602	2000 x 500 x 8 mm, S4	12V, 2x5A	Warm white
909 0708 651	2500 x 1200 x 8 mm, S4	12V, 2x5A	Cool white
909 0708 652	2500 x 1200 x 8 mm, S4	12V, 2x5A	Warm white
909 0799 100	Connector (2 ways)		
909 0799 105	Connector (4 ways)		
909 0799 110	Connector (6 ways)		
909 0799 200	Power supply 12V, 1A		
909 0799 205	Power supply 12V, 3A		
909 0799 210	Power supply 12V, 5A		

OPTIONAL

- LED power supplies
- Surrounding frames in various designs
- Version with 4 mm or 10 mm thickness
- RGB lighting

LED SLIM PANELS



BENEFITS

- The slim panels are equipped with very bright LEDs and supplied with an anodized aluminium fixture
- 3 standard dimensions provided along with pre-cabled LED power supply
- Excellent temperature resistance guarantees a long service life for the product
- The front plate is made from highly transparent acrylic glass, guaranteeing an equally dispersed soft light
- Turns on immediately, no flickering or humming
- Ecological: The product does not contain any hazardous materials like lead or mercury
- Easy to install directly in the ceiling or using the screws included on an existing ceiling
- Lighting figures for various cabin sizes available upon request

OPTIONAL

- Tailored dimensions
- Dimmable

TECHNICAL FEATURES

Part name	OCL600	OCL312	OCL300
• Input voltage (V)	187-265	187-265	85-240
• Output voltage (V)	12	12	12
• Operating voltage (mA)	700	700	350
• Power rating (W)	45	51	11
• Colour			
Daylight white / warm white (K)	5500/3500	5500/3500	5500/3500
• Luminous flux			
Daylight white / warm white (lm)	2000/1500	3000/2200	720/540
• Service life (h)	50.000	50.000	50.000
• Protection class	IP20	IP20	IP20
• Dimensions (mm)	595x595	1195x295	295x295
• Casing (mm)	20	20	20

Item No.	Description	Operation	Colour
909 0803 032	OCL300, 300 x 300 x 20 mm aluminium frame	11 W, 12 V	Warm white
909 0803 033	OCL300, 300 x 300 x 20 mm aluminium frame	11 W, 12 V	Daylight white
909 0806 062	OCL600, 600 x 600 x 20 mm aluminium frame	45 W, 12 V	Warm white
909 0806 063	OCL600, 600 x 600 x 20 mm aluminium frame	45 W, 12 V	Daylight white
909 0803 122	OCL312, 300 x 1200 x 20 mm aluminium frame	51 W, 12 V	Warm white
909 0803 123	OCL312, 300 x 1200 x 20 mm aluminium frame	51 W, 12 V	Daylight white

LED MOUNTING PLATES

**BENEFITS**

- Tailored to customer requirements
- Easy to fit

TECHNICAL FEATURES

- Aluminium mounting plates
- Pre-cabled without housing
- Fitted with LED light strips
- Colours: cool white, warm white, daylight white, normal white
- Variable dimensions

EXAMPLE

Mounting plate 1,200 mm x 1,500 mm
720 LEDs in the form of 20 chained light strips
(12 V, daylight white)

OPTIONAL

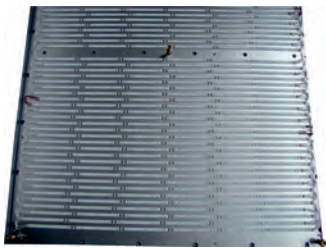
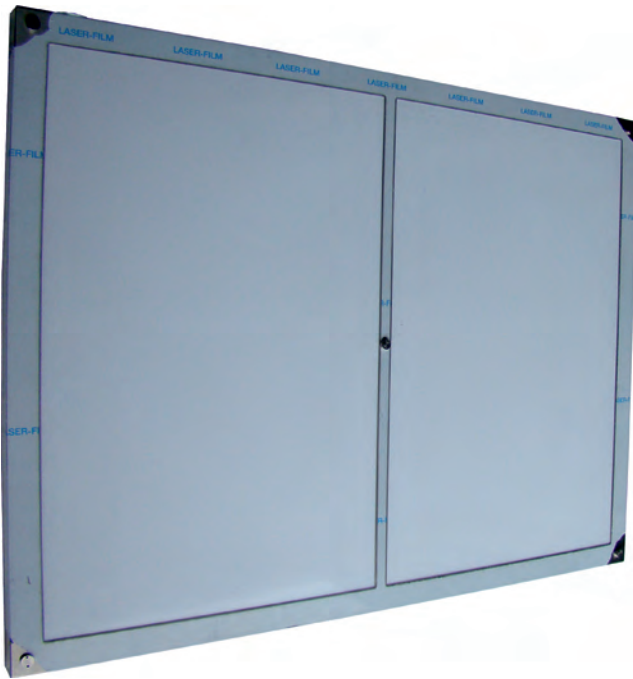
- LED power supplies
- Dimmable
- RGB lighting

Item No.	Colour
909 08XX 101	Cool white
909 08XX 102	Warm white
909 08XX 103	Daylight white
909 08XX 104	Normal white



Do you have questions about our products?
We're happy to help.
Phone: +49 (0) 71 34-34 38

LED LIFT CAR CEILING



BENEFITS

- Easy to fit all-in-one solution
- Tailored to customer requirements

TECHNICAL FEATURES

- Stainless steel casing with safety screws (available in two pieces upon request)
- Aluminium internal mounting plates
- Pre-wired
- Fitted with light strips
- Colours: cool white, warm white, daylight white, normal white
- Variable dimensions
- Available as VSG, ESG or acrylic glass diffuser

OPTIONAL

- LED power supplies
- Dimmable
- RGB lighting

Item No.	Colour
909 08XX 201	Cool white
909 08XX 202	Warm white
909 08XX 203	Daylight white
909 08XX 204	Normal white