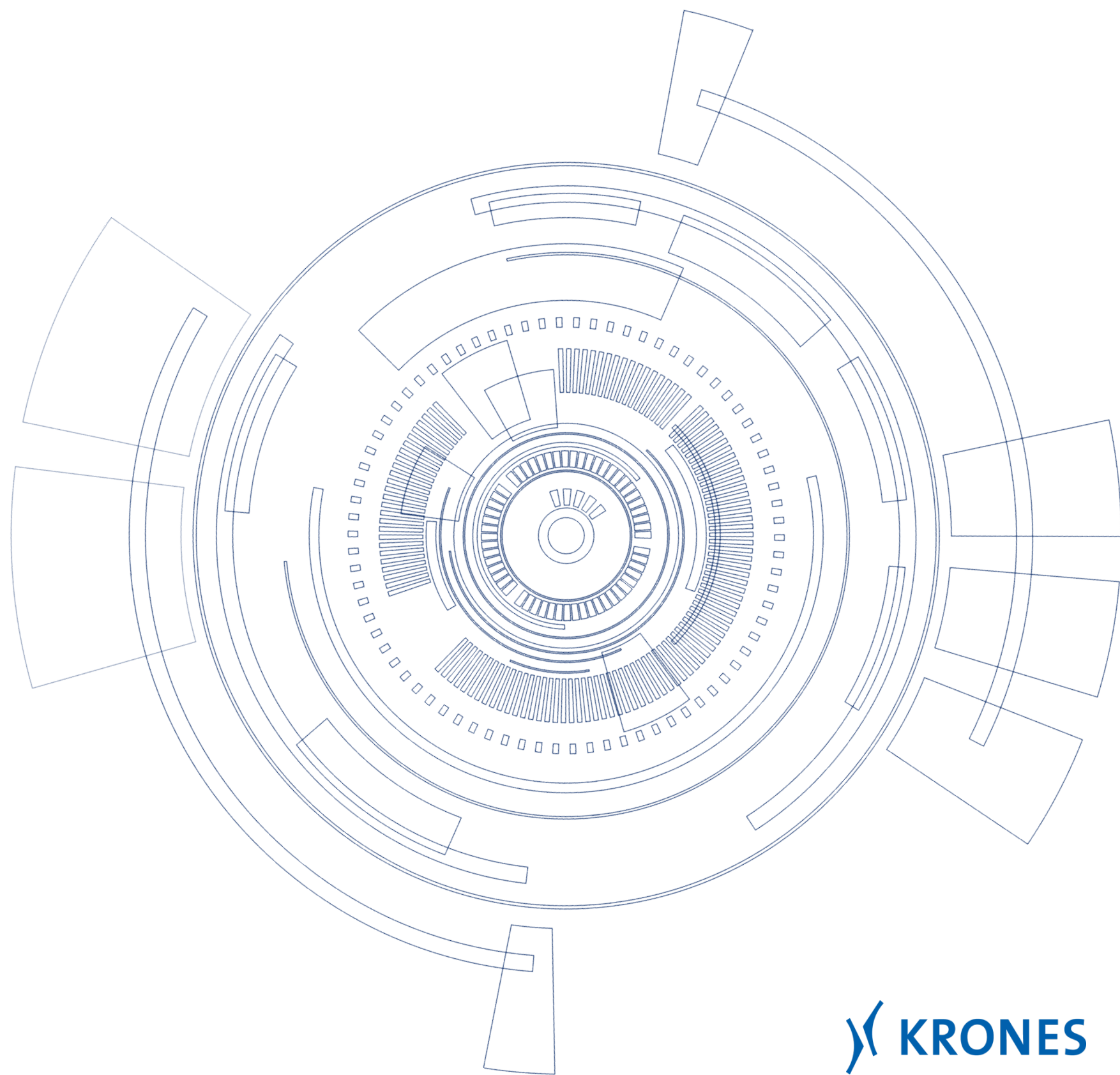
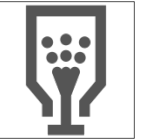


# KRONES Moduljet

Rinser for sparkling clean  
bottle cleaning





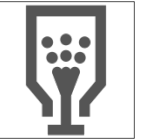
## The rinser for any container and any medium.

This is what a brilliant start in the filling process looks like: The Moduljet rinser meticulously removes dust and other residues from containers - laying the cornerstone for care-free filling. Which and how many rinsing media are used for this purpose? This decision is completely up to you. That's because the Moduljet rinsers can be individually adjusted to any task. Just contact the Krones specialists. They will be happy to advise you on which rinser achieves the best results for your bottle cleaning.

### At a glance

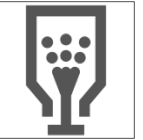
- Meticulously free PET and glass containers of dust particles and other residues
- Suitable for many different media
- Process a broad range of container materials and shapes





## Configure your own customised Moduljet

	Mechanical	Electronic
Control	<ul style="list-style-type: none"> <li>– Fixed treatment angles</li> <li>– Wide range of rinsing media</li> <li>– Low investment cost</li> </ul>	<ul style="list-style-type: none"> <li>– Freely programmable treatment times</li> <li>– Comprehensive selection of rinsing media</li> <li>– Ideal to clean</li> </ul>
Nozzles	<ul style="list-style-type: none"> <li>– Rigid nozzles</li> <li>– Plunging nozzles</li> </ul>	
Container conveyors	<ul style="list-style-type: none"> <li>– Neck grippers for PET</li> <li>– Neck and body grippers for glass bottles</li> <li>– Controlled clamps</li> </ul>	
Number of channels	<ul style="list-style-type: none"> <li>– One rinsing channel for one medium</li> <li>– Two rinsing channels for two media</li> </ul>	<ul style="list-style-type: none"> <li>– One rinsing channel for one medium</li> <li>– Two rinsing channels for two media</li> <li>– Three rinsing channels for three media</li> </ul>
Special variants	<ul style="list-style-type: none"> <li>– Stationary rinse jet</li> <li>– Closed system for rinsing with fill product</li> <li>– Stationary rinse jet monitor</li> <li>– Jet process by means of full cone nozzle</li> </ul>	<ul style="list-style-type: none"> <li>– Closed system for rinsing with fill product</li> <li>– Jet process by means of full cone nozzle</li> <li>– Rinsing with ionised air (bottle interior and bottle exterior)</li> <li>– Stationary or continuously rinse jet monitoring</li> </ul>



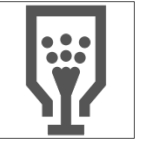
## Differences between mechanical and electronic rinsers

	Mechanical	Electronic
Container	<ul style="list-style-type: none"> <li>– Suitable for glass or PET containers</li> </ul>	<ul style="list-style-type: none"> <li>– Suitable for glass or PET containers</li> </ul>
Rinsing media	<ul style="list-style-type: none"> <li>– Suitable for many different media</li> </ul>	<ul style="list-style-type: none"> <li>– Suitable for the complete range of rinsing media (sequence variable)</li> </ul>
Number of channels	<ul style="list-style-type: none"> <li>– Works with up to two rinsing media</li> </ul>	<ul style="list-style-type: none"> <li>– Works with up to three rinsing media</li> </ul>
Other		<ul style="list-style-type: none"> <li>– Offers automatic self-cleaning</li> </ul>





## For special tasks Jet method – gets the optimum from the media

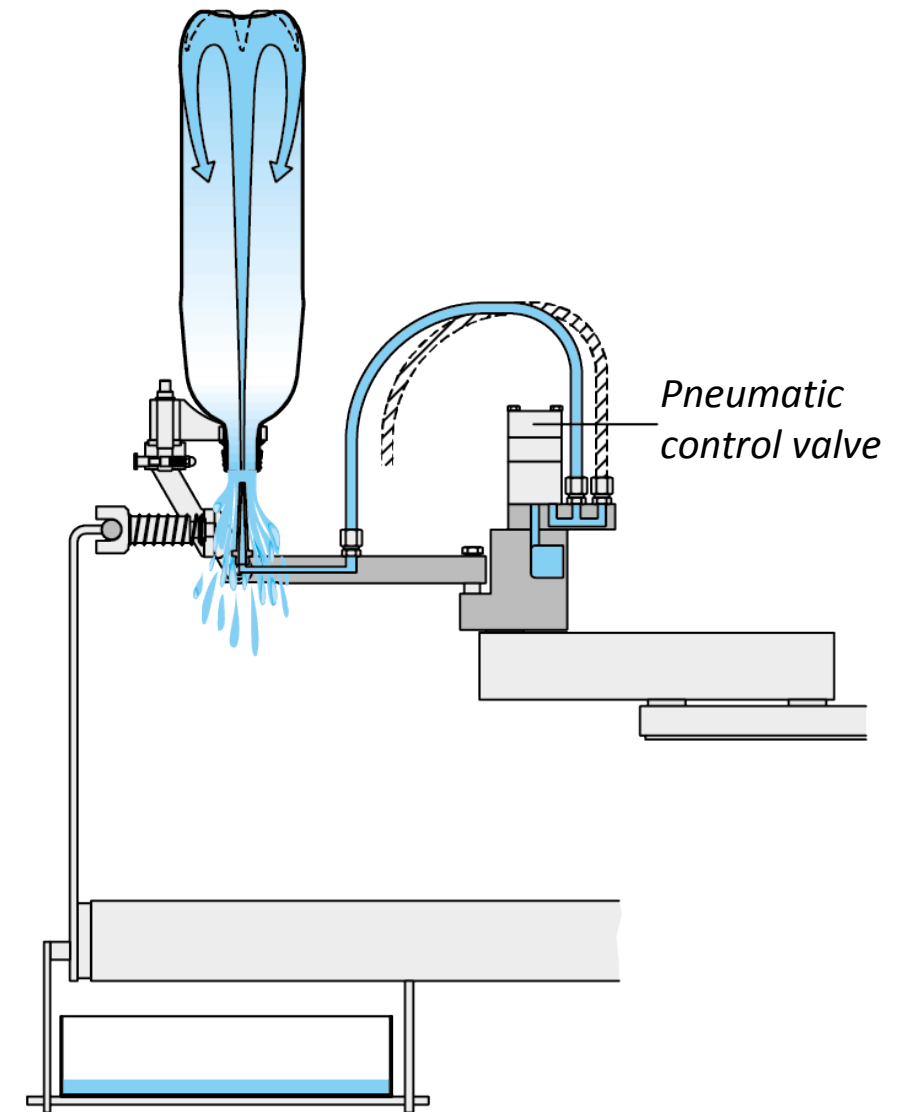


Rinsing via full cone nozzle:

- Water
- Disinfectants

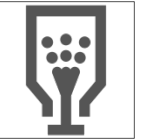
### Benefits to you

- shortens treatment times per bottle.
- distributes the medium even better inside the container.
- also provides a mechanical cleaning effect.
- avoids disturbing »windows« forming on the inside wall of the container during rinsing.



## For special tasks

### Rinser with ionised air – for dust-free PET bottles



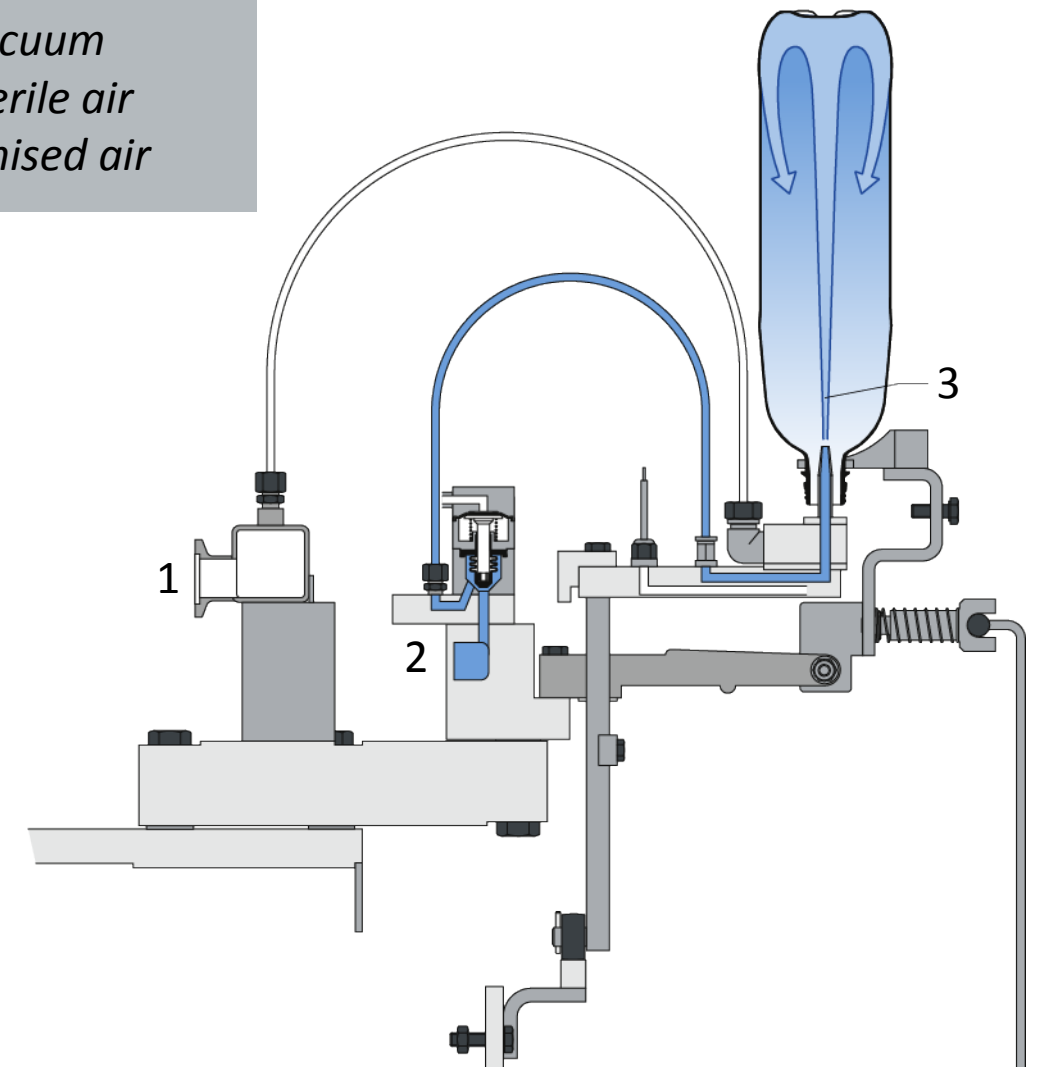
- Rinses PET bottles with ionised air.
- Extracts dust particles which fall out.

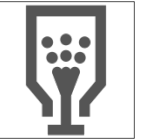
Because plastics are electrostatically charged, PET containers are highly attractive to dust. The rinser uses ionised air to counteract that attraction. As a conductive medium, the ionised air absorbs the charge from the container. The result: The bottle loses its adhesive power, meaning particles can be removed very easily from it.

#### Add-on for air-rinser: Exterior blower

PET bottles turn into little dust magnets especially when being transported. That's because the friction occurring there charges them electrostatically, causing them to attract particles swirling around in the surrounding air. An exterior blower removes the particles quickly and efficiently, rinsing the outsides of the bottles with ionised air and so simply blowing away any adhering dust.

1 Vacuum  
2 Sterile air  
3 Ionised air





## Benefits to you

### **Suitable for many different media**

Whether it's ionised air, cold water, peracetic acid or rinsing with the fill product itself - Moduljet allows you to choose which rinsing media you want to use.

### **Protect your product:**

To ensure glass and PET containers start the filling process in perfect condition, Moduljet rinsers do two things: They reliably remove contamination and barely leave a trace themselves.

### **Adapt flexibly to your needs:**

The rinser's equipment and configuration can be customised to a wide variety of different tasks and requirements: from the spray nozzles and the control system, to the number of media channels. Consult the Krones product specialists to identify the right variant for you.

### **Use rinsing media efficiently**

To ensure the cleaning media reach every part of the container, the nozzles of each rinser are pre-set exactly to the task at hand. That enhances the efficacy of the cleaning, and at the same time cuts media consumption.

### **Enhance the Krones UltraClean process**

Moduljet rinsers are the assured professional solution for filling sensitive ESL and EHF products. They have proved their worth in practice thousands of times over as part of the Krones UltraClean system.





Digitalisation



Process  
technology



Bottling and  
packaging equipment



Intralogistics



Lifecycle  
Service

We do more.

 **KRONES**