

# Spring plungers with slot and POM ball, plastic

## Item description/product images



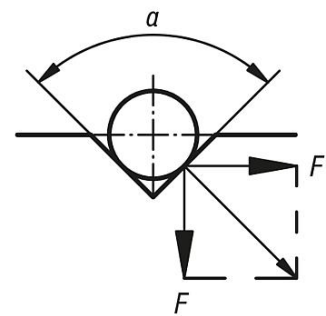
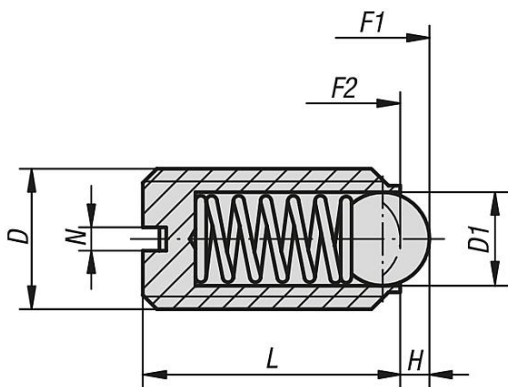
### Description

**Material:**  
Sleeve plastic.  
Ball POM.  
Spring 1.4310 wire.

**Version:**  
Ball, white.

**Note:**  
Spring plungers are used for indexing and positioning.  
They can also be used as ejectors.

## Drawings



$$a = 60^\circ, F' = 1,732 \times F$$

$$a = 90^\circ, F' = F$$

$$a = 120^\circ, F' = 0,577 \times F$$

## Overview of items

### Spring plungers with slot and POM ball, plastic

Order No.	D	D1	H	L	N	Spring force initial pressure F1 approx. N	Spring force final pressure F2 approx. N
<b>B0010.06</b>	M6	3,5	1	14	1	9	13
<b>B0010.08</b>	M8	5	1,5	16	1,2	15	30
<b>B0010.10</b>	M10	6	2	19	1,6	20	40