

# Linajet

The crate washer with adaptive jetting units



## The first impression is what counts

What's important at the point of sale: Dirty packs significantly reduce the success of sale. With the KRONES Linajet crate washer, you can put your products into the true light right from the start. This robust washaholic cleans beverage crates and other plastic crates thoroughly and gently. The new Linajet scores with a modular design and improved washing performance even with different crate sizes.

### At a glance

- Cleans crates of different shapes and sizes
- Service portfolio
  - Single-lane: Up to 3,800\* crates per hour
  - Double-lane: Up to 7,600\* crates per hour
- Adjustable high-pressure jetting system for improved cleaning performance

\* Referring to measurements of 400 x 300 mm





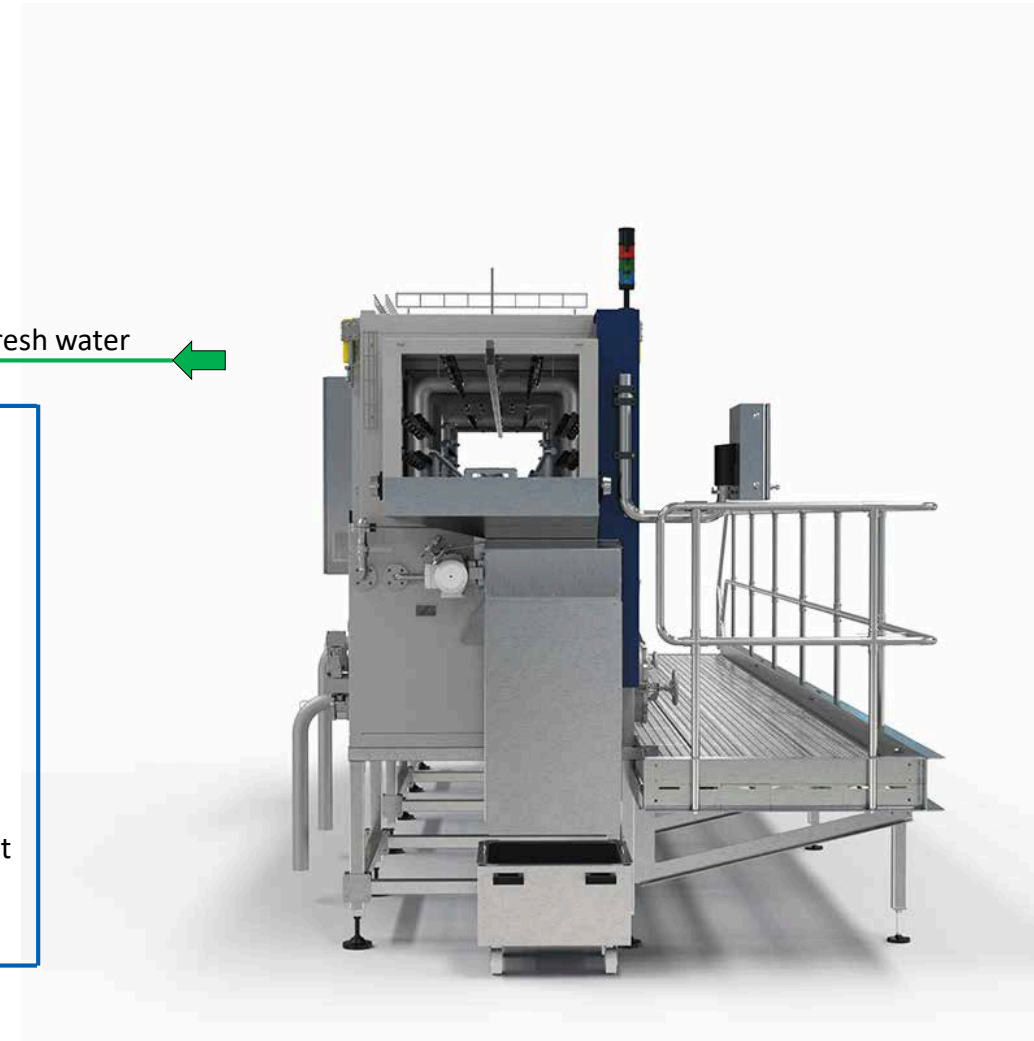
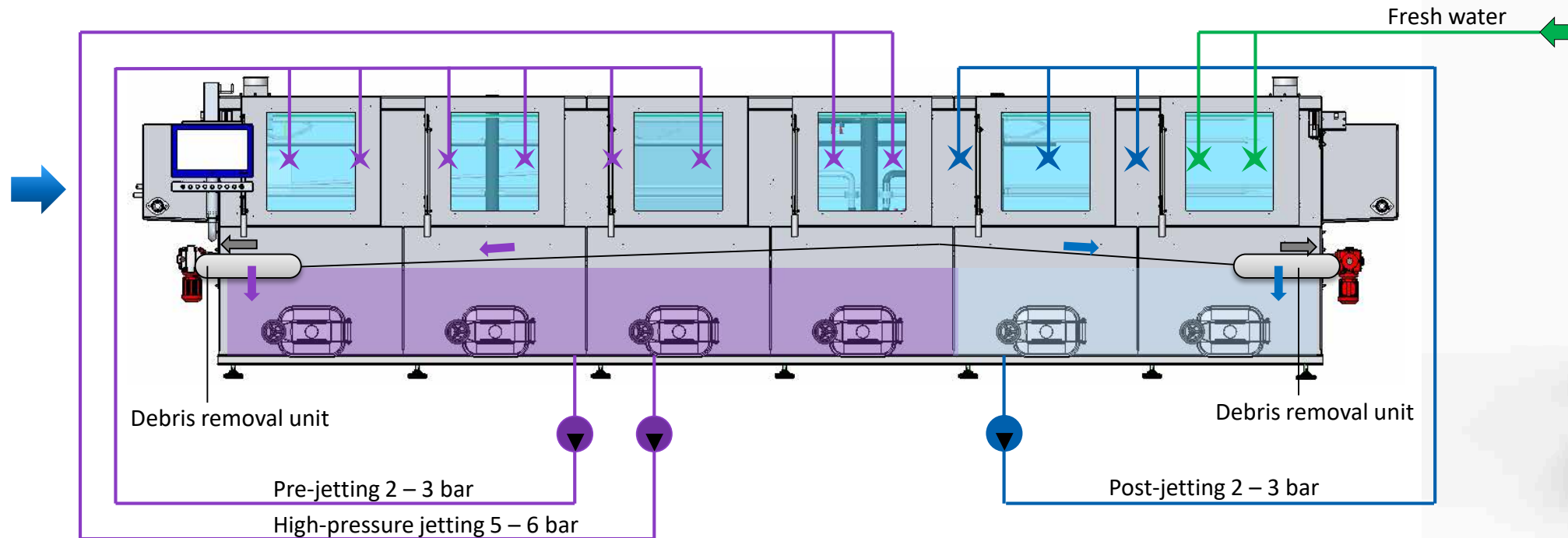
## All innovations at a glance





## Treatment zones and tank volume

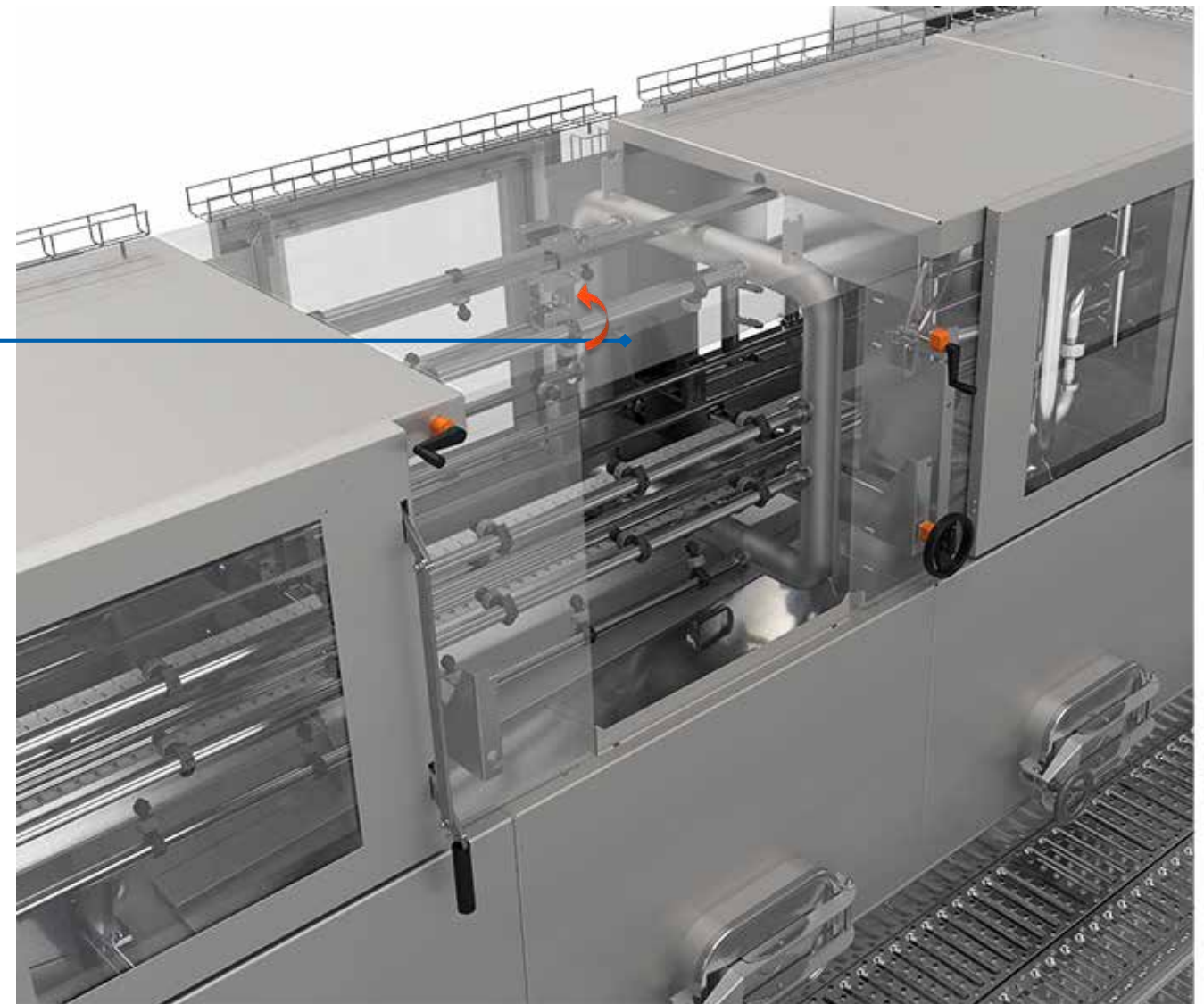
- Increased tank volume + reduced flow speed = reduced quantity of floating dirt
- Optional integration of a sand filter with automatic sludge removal
- Automatic debris removal unit using circulating sieving conveyors for the caustic and post-treatment zone
- Three jetting zones with different jetting pressures and nozzles types





## Jetting pipes

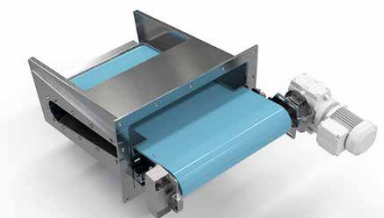
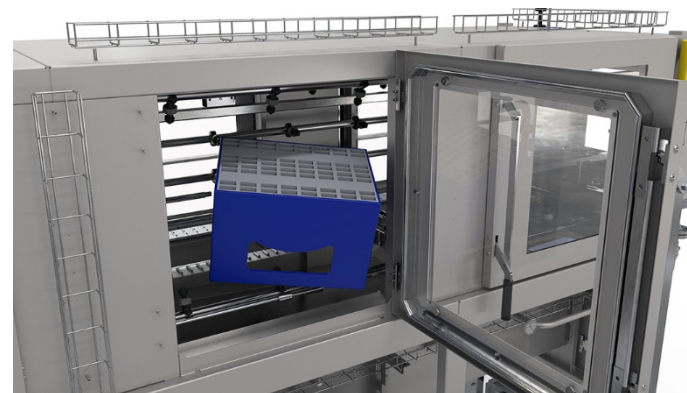
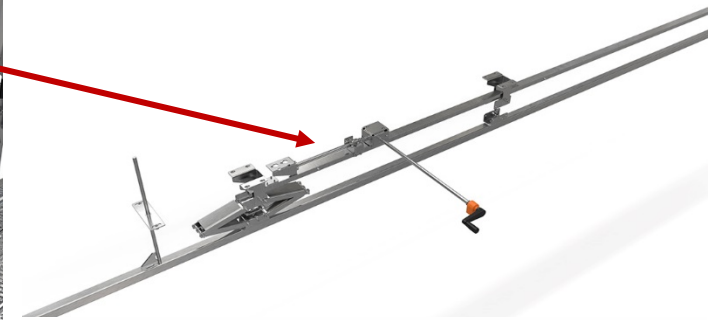
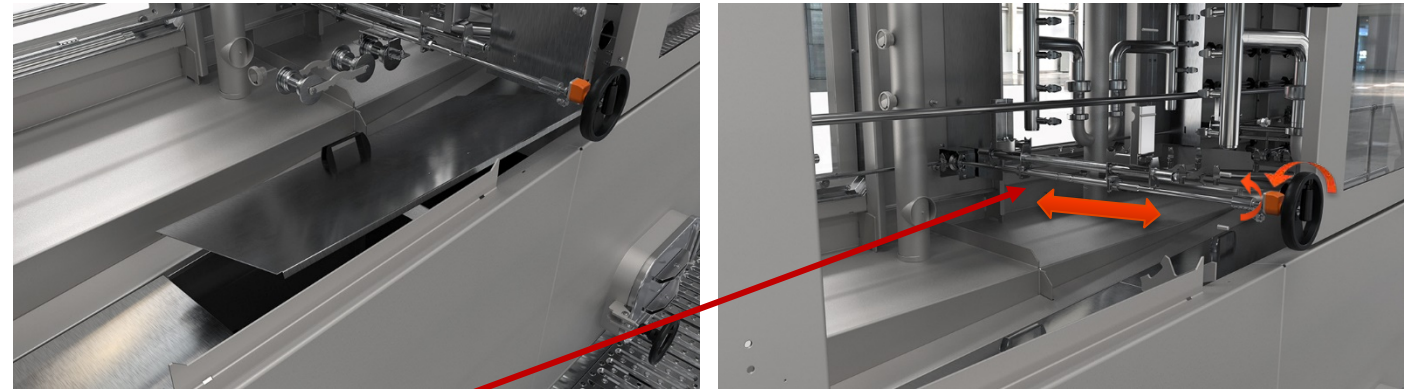
- Adaptive jetting pipes in the high-pressure area: constant jetting pattern also with different crate dimensions
- Cleaning with high pressure and high volume flow rate at the same time
- Quick-release fastening jetting pipes for easy installation and dismantling
- Nozzles with exchangeable transition pieces at same nozzle adjustment





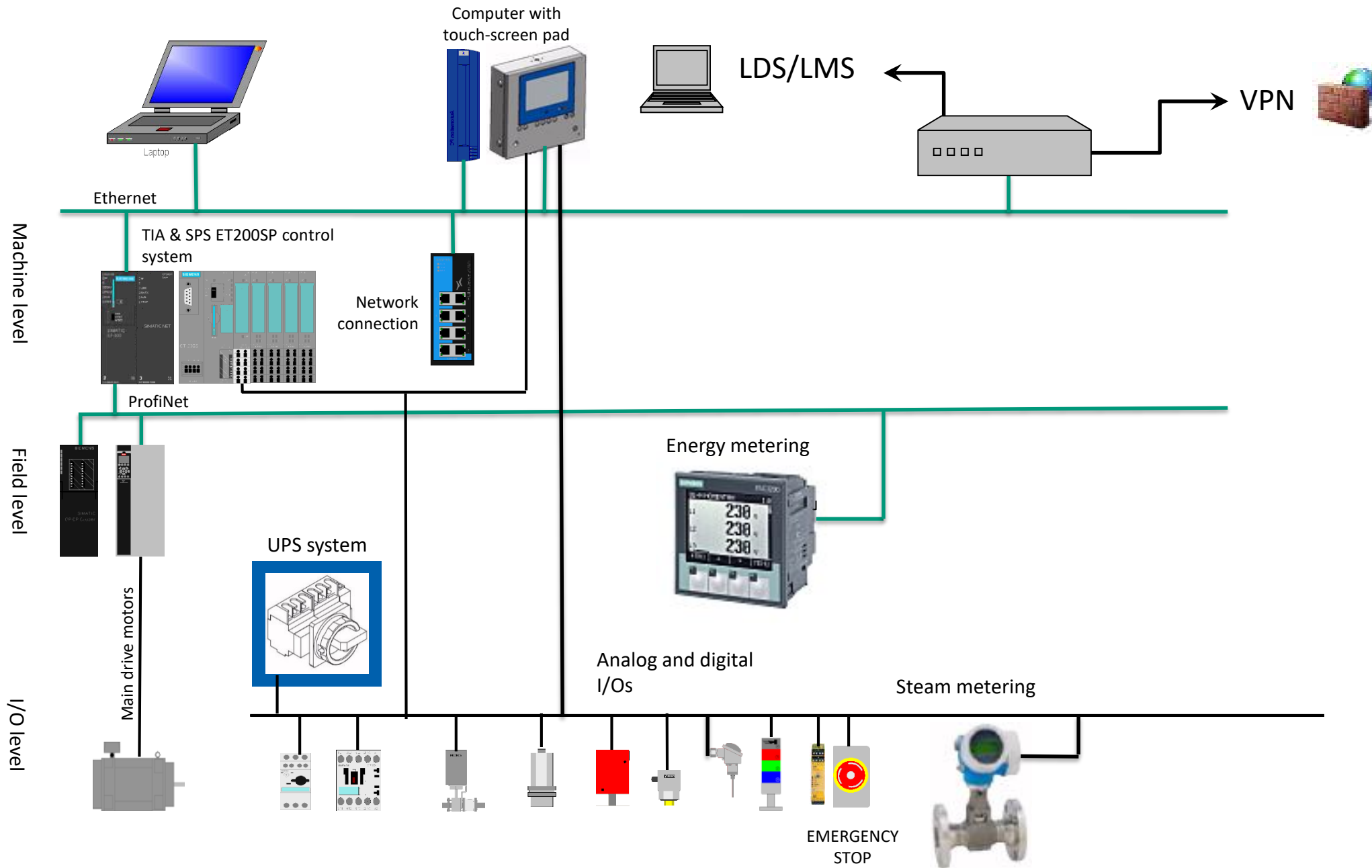
## Change-over and maintenance

- Automatic debris removal unit via circulating sieving conveyors for the caustic and post-treatment zone
- Change-over to new crate sizes (height, width) via spindles attached to the outside of the machine
- Access to the inside of the machine via lateral doors
- Removal of the return chute without any tools for access to the tank
- Cleaning of the tanks from top through the doors





# Automation concept





## Delimitation of functions

Function	Linajet
Sand removal	Optional
Automatic/manual debris removal	Automatic: optional Manual: standard
Fume extraction	Optional
Caustic heating	Optional
Caustic bath	No
Immersion bath/flushing	No
Crate turning station	No
Diagonal operation	No
High-pressure injection system (adjustable width)	Optional (up to 6 bar)
Brushing unit	No
Automatic interior cleaning	No
Dosing unit	Optional
Double-lane design	Yes (> 4,500 crates/h)
Label detachment	No





## Delimitation of functions

Function	Linajet
Crate turning	No
Fine filtration	No
Interior lighting	No
Doors	Doors with windows: Optional Doors without windows: Standard
Exterior width adjustment	Optional
Exterior height adjustment	Yes
Quick-release fastening for jetting pipes	Yes
Adjustment of fresh-water consumption (manual pressure reduction)	Yes
Crate drying	No



## Delimitation of functions

Automation	Linajet
Automatically ready for operation	Optional
Fresh water consumption metering	Optional
Heating consumption metering	Optional
Frequency-controlled drive	Yes
Back-up pressure cut-off system	Yes
Recognition of caustic concentration	No
Motor isolator	Optional
Operator concept with 10" touch-screen	Yes
Non-interrupted voltage supply	Optional
enviro-certified	No



## Benefits to you

### Always optimal cleaning results

You process different crate sizes and would still like to have an optimum cleaning result? Then the width-adaptive high-pressure injection system is exactly what you need. The optional equipment ensures that the spraying distance can be adjusted to suit the respective crate width – thus guaranteeing a consistently positive spraying pattern.

- *60 percent more cleaning intensity*

### Easy change-over

To make the change-over to new crate formats as quick and easy as possible, the spindle drive needed for this in the Linajet is located at a central position in the machine exterior area (optional equipment).

- *90 percent less change-over work  
(without spindle drive: 30 percent)*
- *Up to 70 percent less work involved in fault elimination  
(without spindle drive: 35 percent)*

### Extension of the treatment duration

Thanks to different optional equipment modules, the treatment time can be extended on request in order to improve the cleaning result even more.

- *The treatment duration is 18 percent longer*

### Ease of access

If the operator occasionally has to work on the machine personally, this can be done quickly and straightforwardly: Doors attached to both sides offer easy access to the interior, manholes are integrated in the tank area and access from above is possible thanks to movable guide plates. The crates can be easily removed as well.

- *50 percent less cleaning required*

### Modern operating concept

The new Krones Human-Machine Interface is integrated in the Linajet – and offers a 10-inch touch-screen and a viewable screen which is 2.5 times greater. This means that all of the operating data is available at a glance.



## Everything from a single source

### **Training sessions at the KRONES Academy – trained personnel increases your line efficiency**

The versatile training offer ranges from operation, servicing and maintenance to management training. We will gladly also establish your individual training programme.

### **KRONES Lifecycle Service – partner for performance**

Also after having purchased a new machine, KRONES will take care of your line; the LCS experts are always ready to consult you and translate your goals and wishes into optimal LCS solutions.

### **KIC KRONES cleaning agents make your machine shine**

Only if the production environment is immaculate, can your product be brilliant. KIC KRONES provides you with the optimum cleaning agents and disinfectants for each individual production step.

### **Lubricants from KIC KRONES for every production step**

Whether for gears, chains or central lubrication systems – our greases and oils are true all-round talents. They can reach every lubrication point, protect your line and ensure gentle treatment for your products thanks to their food-grade quality.



Digitalisation



Process  
technology



Bottling and  
packaging equipment



Intralogistics



Lifecycle  
Service

We do more.

 **KRONES**