

EE354

Dew Point Sensor down to -20 °C Td (-4 °F Td)

The compact EE354 sensor measures dew point temperature (Td) down to -20 °C (-4 °F) at pressure up to 80 bar (1 160 psi). Besides Td, the sensor supplies also frost point temperature (Tf) and volume concentration (Wv) data and is ideal for monitoring compressed air networks and industrial drying processes.

Functionality and Reliability

The small size, robust stainless steel enclosure and wettable sensing element, together with various process connections and accessories lead to best performance even in challenging measurement tasks.

Measurement Performance

The well proven E+E humidity sensing element enables excellent long term stability and resistance against pollutants, factors that minimize the EE354 maintenance needs and allow trouble-free operation.

Analogue and Digital Outputs

The Td, Tf and Wv measured data is available on the 4 - 20 mA analogue output and on the RS485 interface with Modbus RTU protocol. The wide scaling range of the analogue output simplifies the EE354 implementation in existing monitoring and control systems.

User Configurable and Adjustable

The free EE-PCS Product Configuration Software together with an optional adapter cable facilitates the configuration and adjustment of the EE354.



Features

Measurement performance

- » Dew point, frost point, volume concentration
- » Dew point measurement range -20...+50 °C (-4...+122 °F)
- » Accuracy ±1 °C (±1.8 °F)
- » Condensation resistant

Enclosure

- » Stainless steel 1.4404, IP65

Configurable and adjustable

- » Service interface
- » Free configuration software

Outputs

- » Current output 4 - 20 mA, wide scaling range
- » Modbus RTU
- » Industrial M12x1 connector

Process connection

- » Stainless steel
- » G 1/2" ISO or 1/2" NPT
- » Pressure rating 80 bar (1 160 psi)

Inspection certificate
 according DIN EN 10204-3.1

Technical Data

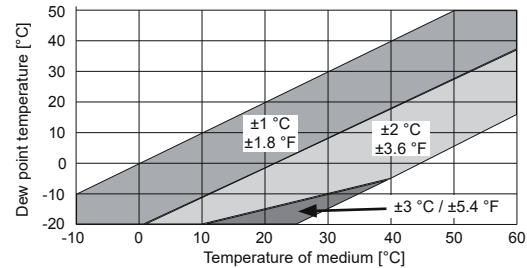
Measurands

Dew point (Td)

Measurement range

-20...50 °C Td (-4...122 °F Td)

Accuracy¹⁾



Response time t_{90}

<30 s

at 20 °C (68 °F)

Volume fraction of water vapour (Wv)

Measurement range

1 250...125 000 ppm

Accuracy at 20 °C (68 °F)

±(50 ppm + 10 % from measured value)

and 1013 mbar (14.7 psi)

Outputs²⁾

Analogue output (scalable)

4 - 20 mA (3-wire technology) $R_L < 500 \Omega$

Resolution

2 μ A

Maximum adjustable scaling range

-40...80 °C Td (-40...176 °F Td)

Digital interface

RS485 (EE354 = 1 unit load)

Protocol

Modbus RTU

Default settings

Baudrate 9600³⁾, parity even, stop bits 1, slave ID 243

General

Supply voltage (Class III) \diamond

10⁴⁾ - 28 V DC

Current consumption at 24 V DC

<20 mA + load current

Pressure range

0...80 bar (0...1 160 psi)

Enclosure / protection class

Stainless steel 1.4404 (AISI 316L) / IP65 / NEMA 4.x

Electrical connection

M12x1, 5 poles, stainless steel 1.4404

Filter

Stainless steel sintered

Operating conditions

-40...60 °C (-40...140 °F) / 0...100 % RH

Storage conditions

-40...60 °C (-40...140 °F) / 0...95 % RH non-condensing

Electromagnetic compatibility

EN 61326-1 EN 61326-2-3 Industrial environment
FCC Part 15 ICES-003 ClassB



1) Traceable to intern. standards, administrated by NIST, PTB, BEV,...

The accuracy statement includes the uncertainty of the factory calibration with an enhancement factor k=2 (2-times standard deviation). The accuracy was calculated in accordance with EA-4/02 and with regard to GUM (Guide to the Expression of Uncertainty in Measurement).

2) The EE354 simultaneously features an analogue current output and the RS485 interface.

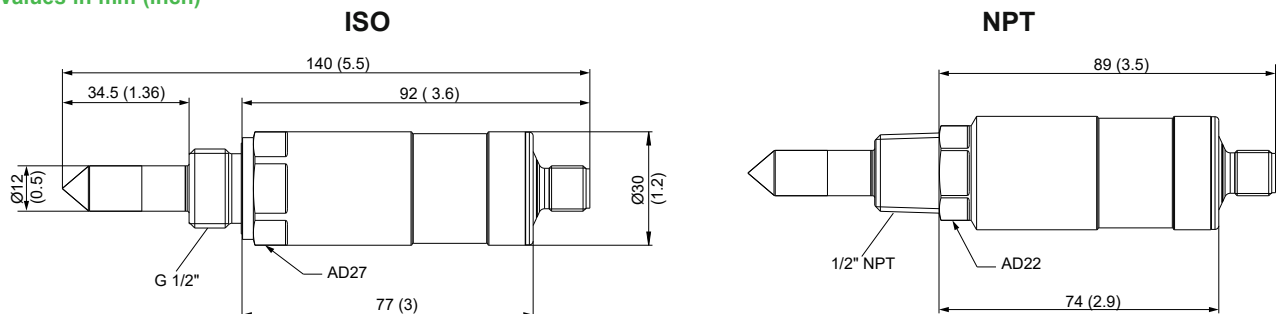
3) Supported baud rates: 9 600, 19 200 and 38 400; find more details about communication setting in the User Manual and the Modbus

Application Note at www.epluse.com/ee354

4) 10 V + 0.02 \cdot R_L

Dimensions

Values in mm (inch)



Sampling Cells

Basic Sampling Cell

The basic sampling cell is suitable for the pressure range 0...64 bar (0...928 psi). It allows for easy installation of the dew point sensor into an existing or self-constructed sampling system.

ISO **NPT**
 1 = G 1/2" or 1/2"
 2 = G 1/4" or 1/4"
 3 = G 1/4" or 1/4"

HA050103 ISO
 HA050105 NPT



Sampling Cell with Quick Connector and Bleed Screw

The sampling cell is optimized for the pressure range 0...10 bar (0...145 psi). The air flow can be adjusted with the bleed screw. The G 1/2" ISO version features a quick connector suitable for standard DN 7.2 connection, which allows for the sampling cell to be mounted and removed without process interruption.

1 = G 1/2" ISO
 2 = Bleed screw
 3 = Quick connector

HA050102



1 = 1/2" NPT
 2 = Bleed screw
 3 = 1/4" NPT

HA050107



Ordering Information

				EE354-		
Hardware	Process connection	G 1/2" ISO thread		PA1		
		1/2" NPT thread		PA2		
Accessories	No accessories		AC0			
	Socket assembled straight		AC2			
Software Setup - Outputs	Measurand (analogue output)	Dew point temperature	Td	[°C]	no code	
		Dew point temperature	Td	[°F]	MA53	
		Frost point temperature	Tf	[°C]	for Td > 0 °C output is Td	MA65
		Frost point temperature	Tf	[°F]	for Td > 32 °F output is Td	MA66
		Volume fraction of water vapour	Wv	[ppm]		MA75
Scaling (analogue output)	Low	-20	Value	no code		
			Value	SALvalue		
		High	50	no code		
		Value	SAHvalue			
Units (Modbus RTU)	Metric (SI)			no code		
	Non metric US/GB			U2		

Order example

EE354-PA1AC0SAH20

Process connection: G 1/2" ISO thread
 Output: Dew point temperature Td [°C]
 Scale on analogue output: 4 - 20 mA = -20...20 °C Td
 Units: Metric [°C]

Accessories

Connection cable, 5 pole, M12x1 socket/free ends	1.5 m (4.9 ft)	HA010819	Sampling cell G 1/2" with quick connector	HA050102	
	5 m (16.4 ft)	HA010820		Sampling cell NPT with bleed screw	HA050107
	10 m (32.8 ft)	HA010821		Basic sampling cell G 1/2"	HA050103
		HA011013		Basic sampling cell NPT	HA050105
Modbus configuration adapter					