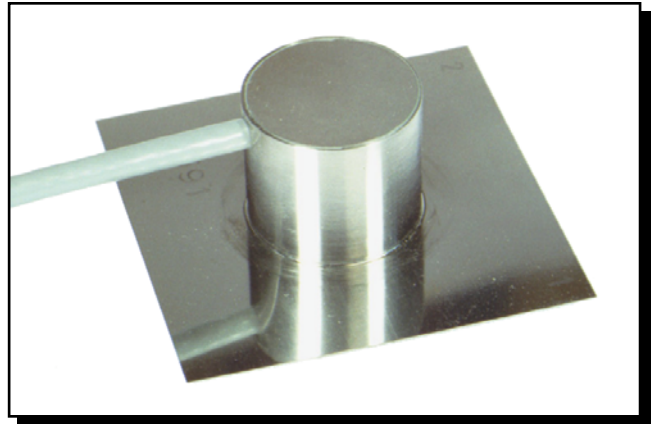

KG-03

Spot-welded Extensometer

FEATURES

- Strain gauge transducer, impedance 350 Ω
- Gauge factor: 2.00 nominal
- Two strain gauges at 90°
- IP 67 protection class
- Compact dimensions
- Robust design
- Material: stainless steel W. Nr. 1.4301 (AISI 304)
- Welded mounting on machined flat surface
- Low price



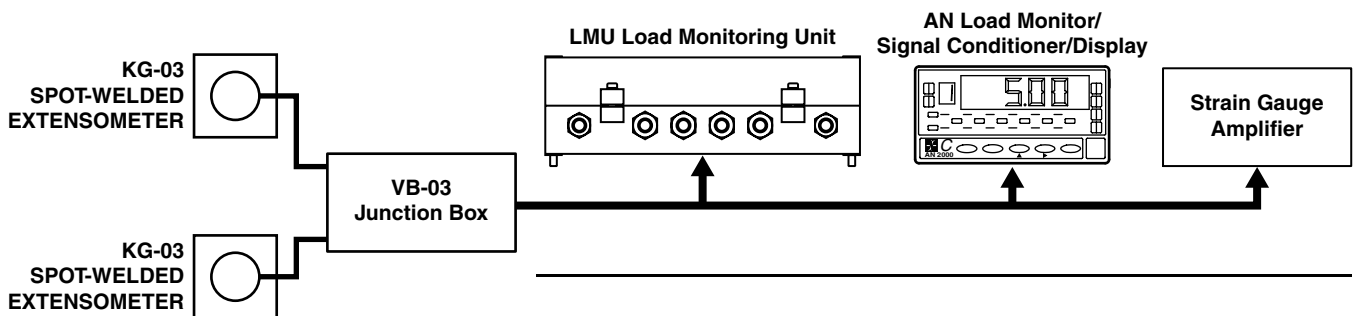
DESCRIPTION

The Magtrol KG-03 Spot-welded Extensometer with stainless steel base plate is designed to be fitted in a place where strain is maximum and proportional to the force being measured.

APPLICATIONS

KG-03 is ideally suited for welding to steel structures such as railway rails, load checking devices and similar long-term outdoor applications.

SYSTEM CONFIGURATION OPTIONS

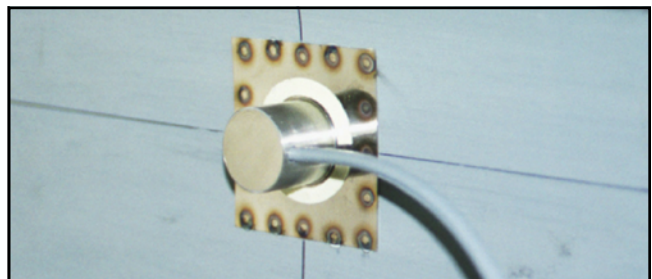


MOUNTING EXAMPLES

On request, Magtrol can provide either spot welding of the KG-03 Extensometer or end-user instruction.



Spot welding of KG-03 Extensometer on a rail

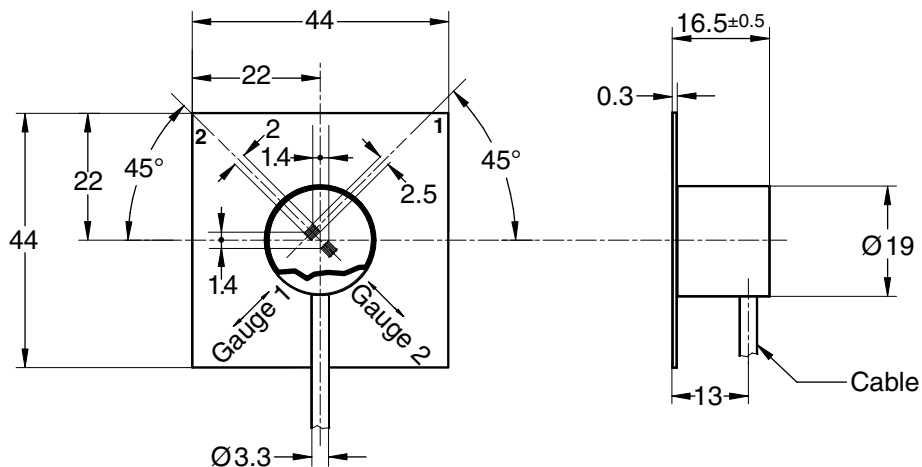


Completely welded KG-03 Extensometer on a rail

TECHNICAL RATINGS

MECHANICAL CHARACTERISTICS	
Maximal Usable Load	1.5 × nominal load
Strain Gauge Sealing • Leakage	Metallic, with laser welding and soldering $\leq 1.2 \times 10^{-7} \text{ cm}^3/\text{s}$
ELECTRICAL CHARACTERISTICS	
Insulation Resistance	$10^{10} \Omega$
Fatigue Resistance • Nominal Deformation	$> 10^7$ loading cycles of repeatable strain $\epsilon = 0$ to 350×10^{-6}
Dielectric Strength Between Gauges and Metallic Housing (according to IEC-255-4)	4 kV for pulse 1.2/50 μs 2 kV for alternating current 50 Hz, 60 sec.
ENVIRONMENTAL CHARACTERISTICS	
Compensated Temperature	-10 °C to +40 °C
Operating Temperature	-40 °C to +80 °C
Protection Class	IP 67
CONNECTION CABLE	
Shielded Cable Length	0.35 m (Other cable lengths available upon request.)
Pin Connections: gauge 1 gauge 1 gauge 2 gauge 2	Color Code (according to DIN): red blue white black or yellow

DIMENSIONS



Due to the continual development of our products, we reserve the right to modify specifications without forewarning.



www.magtrol.com

MAGTROL INC
70 Gardenville Parkway
Buffalo, New York 14224 USA
Phone: +1 716 668 5555
Fax: +1 716 668 8705
E-mail: magtrol@magtrol.com

MAGTROL SA
Centre technologique Montena
1728 Rossens/Fribourg, Switzerland
Phone: +41 (0)26 407 3000
Fax: +41 (0)26 407 3001
E-mail: magtrol@magtrol.ch

Subsidiaries in:
Great Britain
Germany • France
China • India
Worldwide Network
of Sales Agents

