

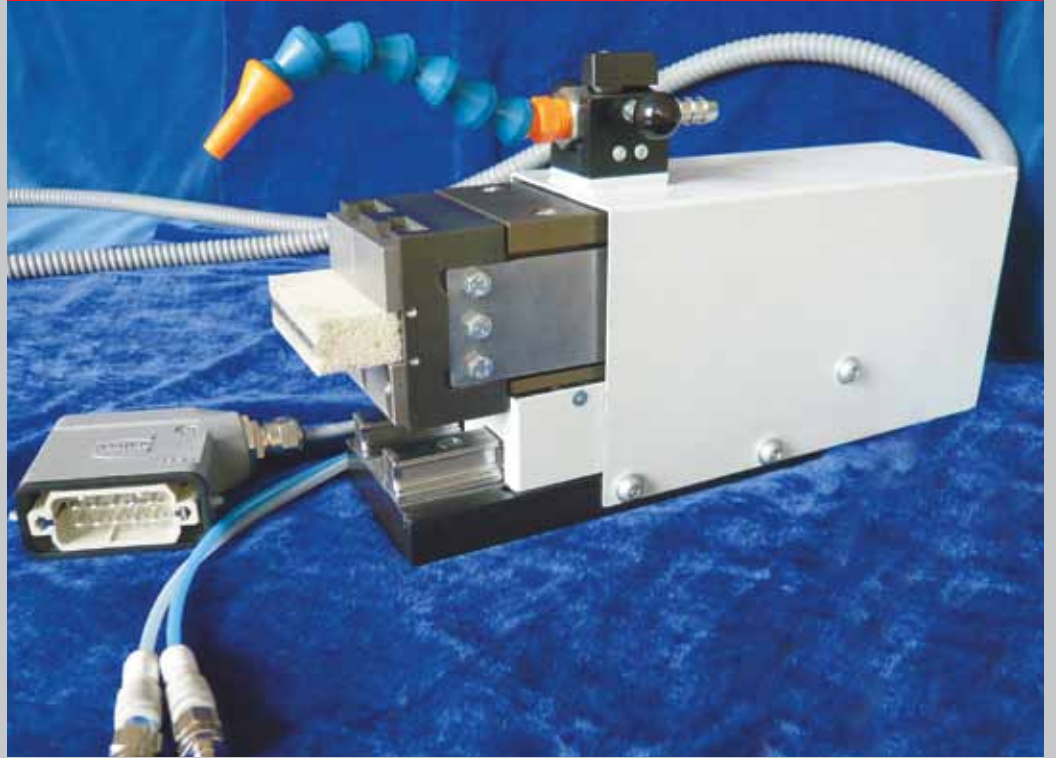
SUPERFINISH

INNOVATION

μ

modular • flexible • economical • universal

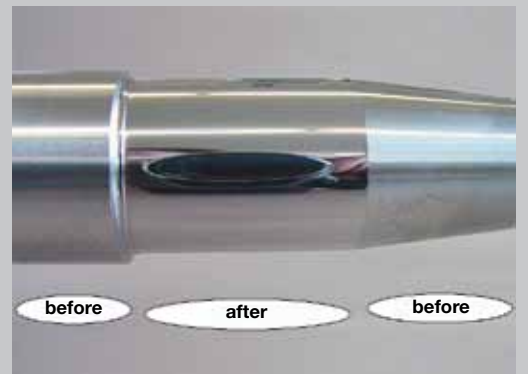
Stonefinisher SF70



Technology-benefits

The optimized surface produces less friction and therefore improves the abrasion, the durability, the noise development and the energy expenditure.

This kind of surfaceimprovement is simple compared to other principles, process-safe and economical.



SBM control box manual
for manual finishing of individual parts and small series



SBA control box automatic
for time-regulated cut-in-finishing of individual parts and small series

Stonefinisher SF70 – Technical datas

Oscillation rate:	300 – 2000 strokes/min.
Oscillation path:	Standard +/- 1 mm optional: +/- 0,5; +/- 1,5; +/- 2 mm
Pressing-on move:	Standard 40 mm optional: 70, 100 mm
Pressing-on force:	80 – 480 N (1 – 6 bar)
Stone width:	max. 70 mm
Stone height:	3 – 28 mm, clampable
Control voltage:	24 VDC
Weight:	9,3 kg

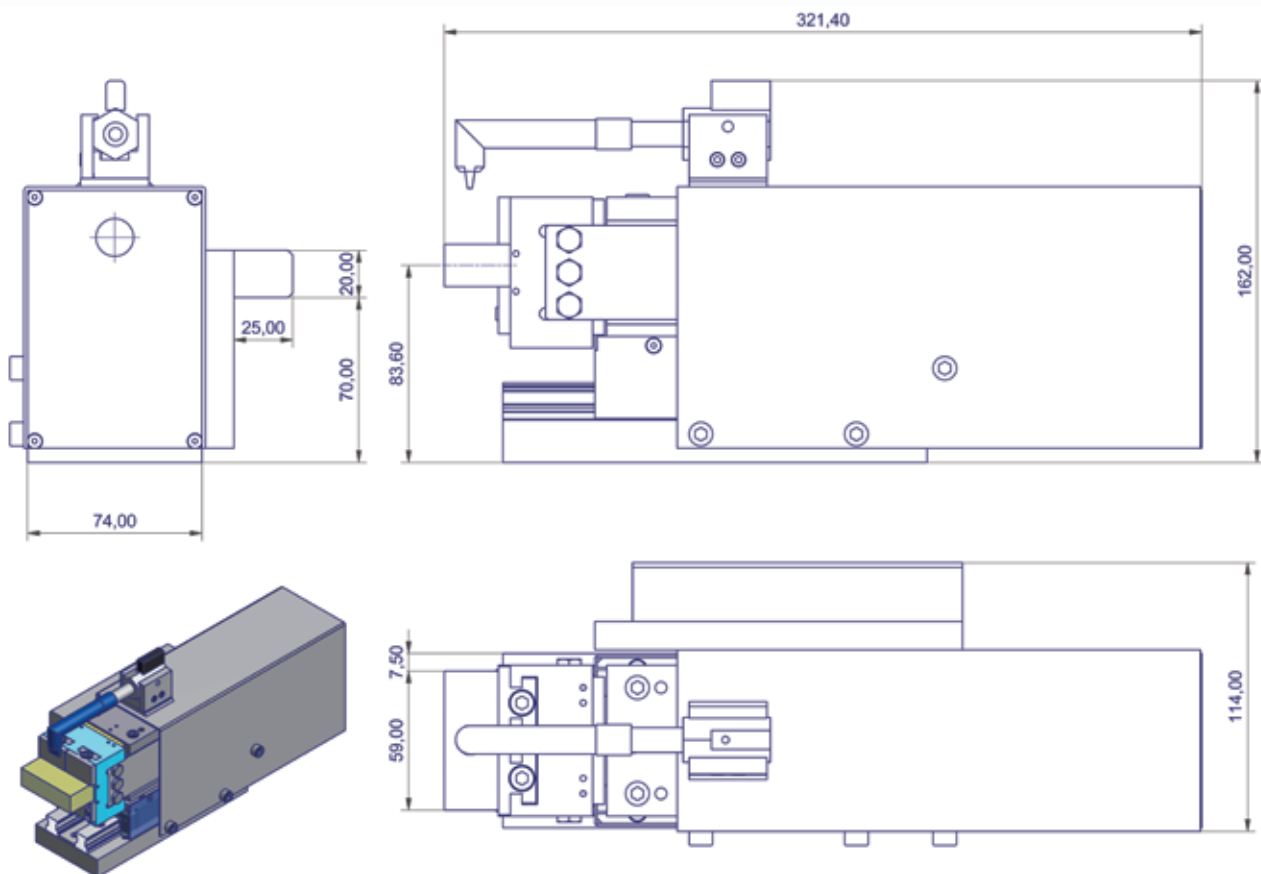


Adaptors

Elektric:	100 – 260 VAC, 50/60 Hz, 6 A (L, N, PE)
Pneumatic:	1 x 6 bar

Options

- Machine device for direct assembly with sensors
- Special Stoneholders



SUPERFINISH – a company of Thielenhaus Technologies



Thielenhaus Technologies GmbH
 Schwesterstrasse 50
 D-42285 Wuppertal
 Phone: +49 (0) 202 - 481-0
 info@thielenhaus.com
 www.thielenhaus.com



Thielenhaus Microfinish Corp.
 42925 W. Nine Mile Road
 Novi, MI 48375, U.S.A.
 Phone: +1 (248) 349 - 9450
 info@thielenhaus.us
 www.thielenhaus.us



Thielenhaus Machinery (Shanghai)
 Jiangtian Dong Lu 92, Building D
 Songjiang Industrial Zone
 201613 Shanghai P.R. China
 Phone: +86 (21) 6775 - 3157
 www.thielenhaus.cn



Superfinish Innovation AG
 St. Gallerstrasse 52
 CH-9548 Matzingen
 Phone: +41 (0)52 376 26 20
 info@superfinish.ch
 www.superfinish.ch